

The Architectural Series

BY TOWN & COUNTRY



CONFIGURATION
CORNER RIGHT



FOR YOUR SAFETY

Installation and service must be performed by a qualified installer, service agency or the gas supplier.

WHAT TO DO IF YOU SMELL GAS

- Do not try to light any appliance.
- Do not touch any electrical switch.
- Do not use any phone in your building.
- Immediately call your gas supplier from a neighbour's phone. Follow the gas supplier's instructions.
- If you cannot reach your gas supplier call the fire department.

Do not store or use gasoline or other flammable vapors and liquids in the vicinity of this or any other appliance.

This is a decorative product and is not intended to be used as a heating appliance.

This appliance is suitable for installation in a bedroom or bed sitting room.

This appliance may be installed in an aftermarket permanently located, manufactured home (USA only) or mobile home, where not prohibited by local codes. This appliance is only for use with the type of gas indicated on the rating plate. This appliance is not convertible for use with other gases, unless a certified kit is used.

WARNING: If the information in these instructions is not followed exactly, a fire or explosion may result causing property damage, personal injury or death.



INSTALLER: Leave this manual with the appliance.
CONSUMER: Retain this manual for future reference.

Table of Contents

Contents

Table of Contents	2
Caution	3
Safety	3
Important Note for the Commonwealth of Massachusetts	4
Congratulations on your Town & Country purchase	5
Installation Requirements/Appliance Specifications	5
Installation Requirements	5
Vent Terminal Minimum Clearances	6
Minimum Clearances to Combustible Material	7
Appliance Dimensions	8
Top Intake Model	8
Bottom Intake Model	9
Btu Values and Weights	10
Minimum Clearances to Combustible Material	10
Locating the Unit	11
Framing and Finishing	13
Framing.....	15
Facing Material	16
Venting Configuration	17
Venting plenum	17
Venting Specifications	19
Air Intake	21
Optional Motorized Damper	23
Power Vent	24
Power Vent Dimensions	25
Vertical Installation	25
Horizontal Installation	26
Vent Terminal Clearance	27
Power Vent Wiring	27
Flush Mount Power Vent Dimensions	28
Mounting the Flush Mount Power Vent	29
Minimum Clearances to Combustibles	29
Framing the Flush Mount Power Vent	30
Flush Mount Electrical Connection	31
Baffle Adjustment	32
Gas Connection	33
Black Glass Option Installation	34
Front and Side Glass Plates Installation	36
Inside glass plates installation	36
Inside securing plates installation.....	38
Outside glass plates installation	39
Electrical Connection	40
Electrical Diagram	41
Control Panel Installation	42
LED Strip Replacement	43
Removing an LED section	43
Gas Pressure Requirements	45
Lighting Instructions	46
Maintenance	47
GLASS PANEL:	47
ANNUAL INSPECTION:	47
Periodically:	47
Replaceable Parts	48
Rating Labels	49

Caution

This appliance and its individual shut off valve must be disconnected from gas supply piping system during any pressure testing of that system at test pressures in excess of 1/2 psig (3.5 kPa).

This appliance must be isolated from the gas supply piping system by closing its individual manual shut off valve during any pressure testing of the gas supply piping system at test pressures equal to or less than 1/2 psig (3.5 kPa).

Do not use the fire feature if any part has been under water. Immediately call a qualified service technician to inspect the fire feature and to replace any part of the control system and any gas control which has been under water.



We recommend that our gas hearth products be installed and serviced by professionals who are certified in the United States by the National Fireplace Institute® (NFI) as NFI Gas Specialists



WARNING: This product can expose you to chemicals including ceramic fibers, which are known to the State of California to cause cancer, and carbon monoxide, which is known to the State of California to cause birth defects or other reproductive harm.

For more information go to www.P65Warnings.ca.gov.

This warning is applicable to all
Pacific Energy Fireplace Products

Safety

Any grill, panel or door removed for servicing the unit must be replaced prior to operating. Failure to do so may create a hazardous condition.

Installation and repair should be done by a qualified service person. The appliance should be inspected before use and at least annually by a professional service person. More frequent cleaning may be required due to excessive lint from carpeting, bedding material, etc. It is imperative that control compartments, burners and circulating air passageways of the appliance be kept clean.

It is our policy that no responsibility is assumed by the Company or by any of its employees or representatives for any damages caused by an inoperable, inadequate, or unsafe condition which is the result, either directly or indirectly, of any improper operation or installation procedures.

This appliance must not be connected to a chimney flue serving a separate solid fuel burning appliance.



— Important Note for the Commonwealth of Massachusetts —

From Massachusetts Rules and Regulations 248 CMR 5.08:

- (a) For all side wall horizontally vented gas fueled equipment installed in every dwelling, building or structure used in whole or in part for residential purposes, including those owned or operated by the Commonwealth and where the side wall exhaust vent termination is less than seven (7) feet above finished grade in the area of the venting, including but not limited to decks and porches, the following requirements shall be satisfied.
1. **INSTALLATION OF CARBON MONOXIDE DETECTORS.** At the time of installation of the side wall horizontal vented gas fueled equipment, the installing plumber or gas fitter shall observe that a hard wired carbon monoxide detector with an alarm and battery back-up is installed on the floor level where the gas equipment is to be installed, in addition, the installing plumber or gas fitter shall observe that a battery operated or hard-wired carbon monoxide detector with an alarm is installed on each additional level of the dwelling, building or structure served by the side wall horizontal vented gas fueled equipment. It shall be the responsibility of the property owner to secure the services of qualified licensed professionals for the installation of hard-wired carbon monoxide detectors.
 - a. In the event that the side wall horizontally vented gas fueled equipment is installed in a crawl space or an attic, the hard-wired carbon monoxide detector with alarm and battery back-up may be installed on the next adjacent floor level.
 - b. In the event that the requirements of this subdivision cannot be met at the time of completion of installation, the owner shall have a period of thirty (30) days to comply with the above requirements; provided, however, that during said thirty (30) day period, a battery operated carbon monoxide detector with an alarm shall be installed.
 2. **APPROVED CARBON MONOXIDE DETECTORS.** Each carbon monoxide detector as required in accordance with the above provisions shall comply with NFPA 720 and be ANSI/UL 2034 listed as IAS certified.
 3. **SIGNAGE.** A metal or plastic identification plate shall be permanently mounted to the exterior of the building at a minimum height of eight (8) feet above grade directly in line with the exhaust vent terminal for the horizontally vented gas fueled heating appliance or equipment. The sign shall read, in print size no less than one-half (1/2) inch in size, "GAS VENT DIRECTLY BELOW. KEEP CLEAR OF ALL OBSTRUCTIONS"
 4. **INSPECTION.** The state or local gas inspector of the side wall horizontally vented gas fueled equipment shall not approve the installation unless, upon inspection, the inspector observes carbon monoxide detectors and signage installed in accordance with the provisions of 248 CMR 5.089(2) (a) 1 through 4.
- (b) **EXEMPTIONS.** The following equipment is exempt from 248 CMR 5.089(2)(a) 1 through 4.
1. The equipment listed in Chapter 10 entitled "Equipment Not Required To Be Vented" in the most current edition of NFPA 54 as adopted by the Board; and
 2. Product Approved side wall horizontal vented gas fueled equipment installed in a room or structure separate from the dwelling, building or structure used in whole or in part for residential purposes.
- (c) **MANUFACTURER REQUIREMENTS – GAS EQUIPMENT VENTING SYSTEM PROVIDED.** When the manufacturer of Product Approved side wall horizontally vented gas equipment provides a venting system design or venting system components with the equipment, the instructions provided by the manufacturer for installation of the equipment and the venting system shall include:
1. Detailed instructions for the installation of the venting system design or the venting system components; and
 2. A complete parts list for the venting system design or venting system.
- (d) **MANUFACTURER REQUIREMENTS – GAS EQUIPMENT VENTING SYSTEM NOT PROVIDED.** When the manufacturer of a Product Approved side wall horizontally vented gas fueled equipment does not provide the parts for venting the fuel gases, but identifies "special venting systems;" the following requirements shall be satisfied by the manufacturer.
1. The referenced "special venting system" instructions shall be included with the appliance or equipment installation instructions; and
 2. The "special venting systems" shall be Product Approved by the Board, and the instructions for that system shall include a parts list and detailed installation instructions.
- (e) A copy of all installation instructions for all Product Approved side wall horizontally vented gas fueled equipment, all venting instructions, all parts lists for venting instructions, and/or all venting design instructions shall remain with the appliance or equipment at the completion of the installation.

— Congratulations on your Town & Country purchase —

Your Architectural Series Zero Clearance linear appliance has been professionally installed by:

Dealer name: _____

Phone Number: _____

If you discover any problems with your linear appliance, contact your dealer immediately to have the unit repaired.

Caution: Do not attempt to repair the linear appliance because you may cause injury to yourself or others, and risk causing damage to the unit.

Before operating your linear appliance carefully read this manual and pay close attention to all Safety Warnings. The manual contains important information on the unit's safe operation and maintenance.

— Installation Requirements/Appliance Specifications —

Town and Country Architectural Series linear appliance.

Specifications

- This unit has been tested to ANSI Z21.50 and CSA P.4.1 specifications.
- Single wall (min. 26 ga) galvanized venting. (Zero clearance)
- 120VAC / single phase.
- 24VAC Honeywell direct ignition valve system.
- Power vented only. Programmed with pre and post-purge safety functioning. Certified to use provided Town & Country power vent only.
- Horizontal or Vertical Termination.
- Zero clearance unit (no non-combustible board required).
- Exhaust 12" Rigid or B-vent(See Local Building Codes) - 150ft max length plus up to 6 elbows. (Zero clearance)
- 7" rigid intakes - (All bottom intake models) 150ft max length plus up to 6 elbows. (Zero clearance)
- 10" rigid intakes - (All top intake models) 150ft max length plus up to 6 elbows. (Zero clearance)

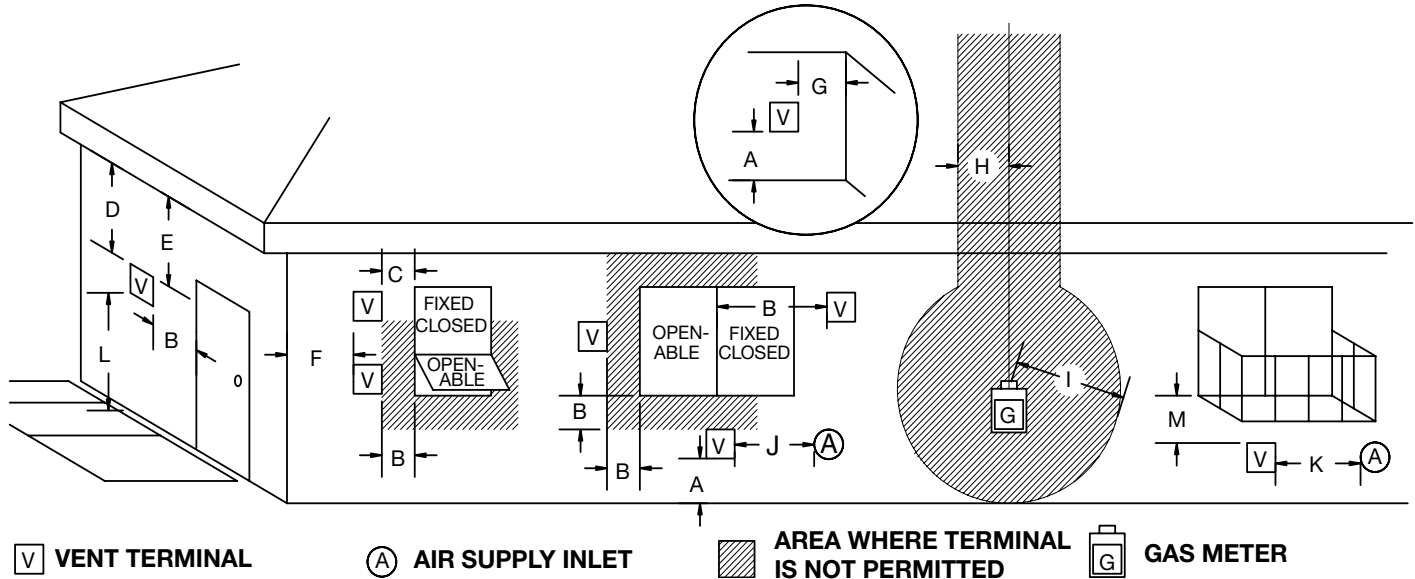
— Installation Requirements —

The fireplace installation and venting must conform to the current CAN/CGA-B149 installation code (in Canada) or the current National Fuel Gas Code, ANSI Z223.1 (in the USA), and approved per local codes. Only qualified (licensed or trained) personnel should install this product.

In the state of Massachusetts, only a licensed Plumber and Gas Fitter may install this product.



Vent Terminal Minimum Clearances



POWER VENT (SKU 22080040)

		Canada ¹	US ²
A=	Clearances above grade, veranda, porch, deck, or balcony.	12 inches (30 cm) min.	12 inches min.
B=	Clearance beside or below a window or door that may be opened.	12 inches (30 cm) for appliances ≤ 100,000 Btuh., 36 inches (91cm) for appliances > 100,000 Btuh.	9 inches for appliances > 10,000 Btuh and ≤ 50,000 Btuh. *12 inches for appliances > 50,000 Btuh.,
C=	Clearance to permanently closed window recommended to prevent condensation on window.	12 inches (30 cm)	12 inches
D=	Vertical clearance to ventilated soffit located above the terminal within a horizontal distance of 2 feet (61 cm) from the center line of the terminal.	24 inches (60 cm) min.	24 inches min.
E=	Clearance to unventilated soffit from the center line of the terminal.	24 inches (60 cm) min.	24 inches min.
F=	Clearance to outside corner.	6 inches (15 cm) min.	6 inches min.
G=	Clearance to inside corner from the center line of the terminal.	24 inches (60 cm) min.	24 inches min.
H=	Clearance to each side of center line extended above meter/regulator assembly.	3 feet (90 cm) min. within a height of 15ft (4.5m) above the meter or regulator assembly	**
I=	Clearance to service regulator vent outlet.	3 feet (90cm) min.	**
J=	Clearance to non mechanical air supply inlet to building or the combustion air inlet to any other appliance.	12 inches (30 cm) ≤ 100,000 Btuh. 36 inches (91) cm > 100,000 Btuh	9 inches for appliances > 10,000 Btuh and ≤ 50,000 Btuh. 12 inches for appliances > 50,000 Btuh.
K=	Clearance to a mechanical air supply inlet.	6 feet (1.8 m) min.	3 feet (90cm) min. above if within 10ft (3m) horizontally
L=	Clearance above paved side-walk or a paved driveway located on public property	^ 7 feet (2.1 m) min.	**
M=	Clearance under veranda, porch, deck, or balcony	± 12 inches (25 cm) min.	± 12 inches min.

FLUSH MOUNT POWER VENT (SKU 22080041)

		Canada ¹	US ²
A=	Clearances above grade, veranda, porch, deck, or balcony.	12 inches (30 cm) min.	12 inches min.
B=	Clearance beside or below a window or door that may be opened.	12 inches (30 cm) for appliances ≤ 100,000 Btuh., 36 inches (91cm) for appliances > 100,000 Btuh.	9 inches for appliances > 10,000 Btuh and ≤ 50,000 Btuh. *12 inches for appliances > 50,000 Btuh.,
C=	Clearance to permanently closed window recommended to prevent condensation on window.	12 inches (30 cm)	12 inches
D=	Vertical clearance to ventilated soffit located above the terminal within a horizontal distance of 2 feet (61 cm) from the center line of the terminal.	20 inches (51 cm) min.	20 inches min.
E=	Clearance to unventilated soffit from the center line of the terminal.	20 inches (51 cm) min.	20 inches min.
F=	Clearance to outside corner.	6 inches (15 cm) min.	6 inches min.
G=	Clearance to inside corner from the center line of the terminal.	20 inches (51 cm) min.	20 inches min.
H=	Clearance to each side of center line extended above meter/regulator assembly.	3 feet (90 cm) min. within a height of 15ft (4.5m) above the meter or regulator assembly	**
I=	Clearance to service regulator vent outlet.	3 feet (90cm) min.	**
J=	Clearance to non mechanical air supply inlet to building or the combustion air inlet to any other appliance.	12 inches (30 cm) ≤ 100,000 Btuh. 36 inches (91) cm > 100,000 Btuh	9 inches for appliances > 10,000 Btuh and ≤ 50,000 Btuh. 12 inches for appliances > 50,000 Btuh.
K=	Clearance to a mechanical air supply inlet.	6 feet (1.8 m) min.	3 feet (90cm) min. above if within 10ft (3m) horizontally
L=	Clearance above paved side-walk or a paved driveway located on public property	^ 7 feet (2.1 m) min.	**
M=	Clearance under veranda, porch, deck, or balcony	‡ 12 inches (25 cm) min.	‡ 12 inches min.

1) - In accordance with the current CSA B149.1 Natural Gas and Propane Installation Code

2) - USA - In accordance with the current ANSI Z223.1/NFPA 54, National Fuel Gas Code,

** Clearance in accordance with local installation codes and the requirements of the gas supplier

^ A vent shall not terminate directly above a side-walk or paved driveway which is located between two single family dwellings and serves both dwellings*

‡ Permitted only if veranda, porch, deck, or balcony is fully open on a minimum of two sides beneath the floor

Minimum Clearances to Combustible Material

This appliance is a zero clearance fire feature. Combustible material may be use to frame the unit in.

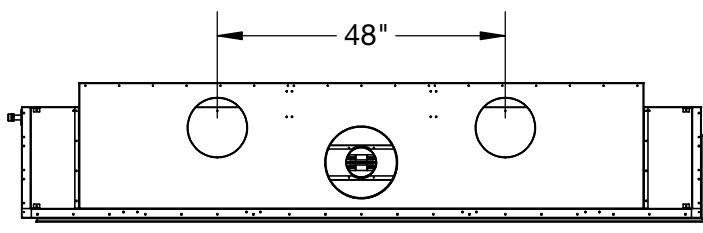
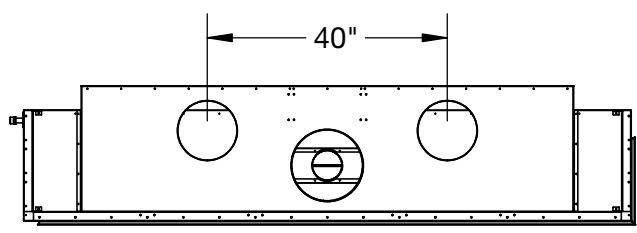
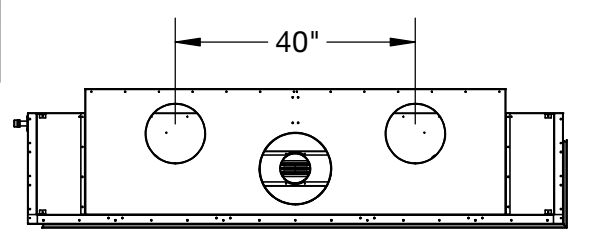
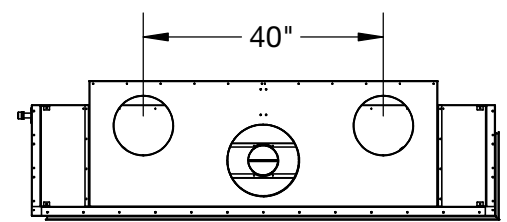
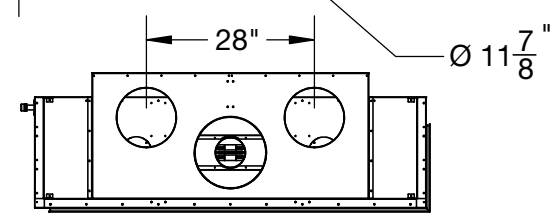
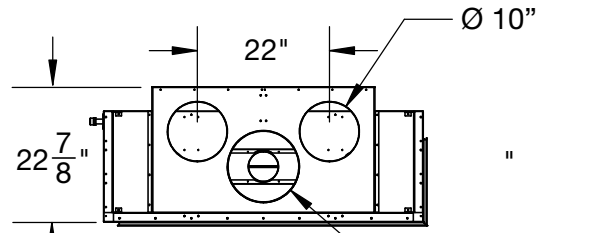
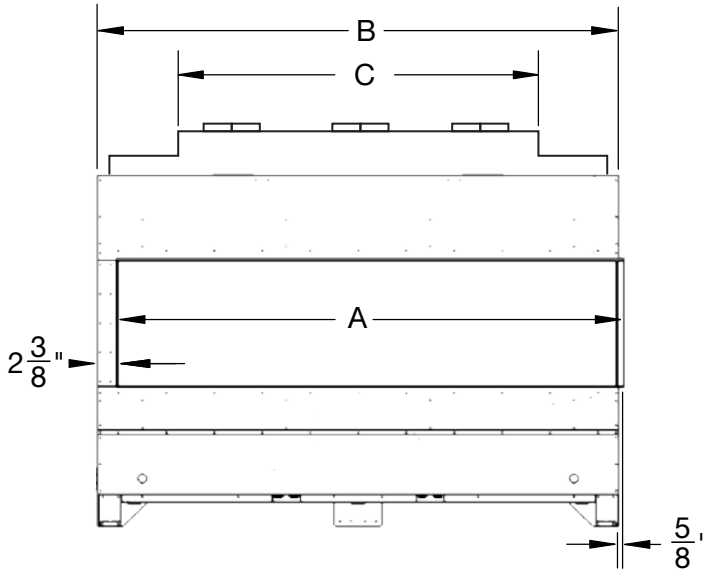
Venting for this unit is also zero clearance. Combustible material is permitted to come into direct contact with venting material.



Appliance Dimensions

Top Intake Model

	3'	4'	5'	6'	7'	8'
A	51 1/2"	63 1/2"	75 1/2"	87 1/2"	99 1/2"	111 1/2"
B	53 1/4"	65 1/4"	77 1/4"	89 1/4"	101 1/4"	113 1/4"
C	37 1/8"	46 1/8"	58 1/8"	70 1/8"	82 1/8"	94 1/8"



Glass Height	16"	24"	32"
D	16"	24"	32"
E	52 1/8"	60 1/8"	68 1/8"
F	45 1/4"	53 1/4"	61 1/4"

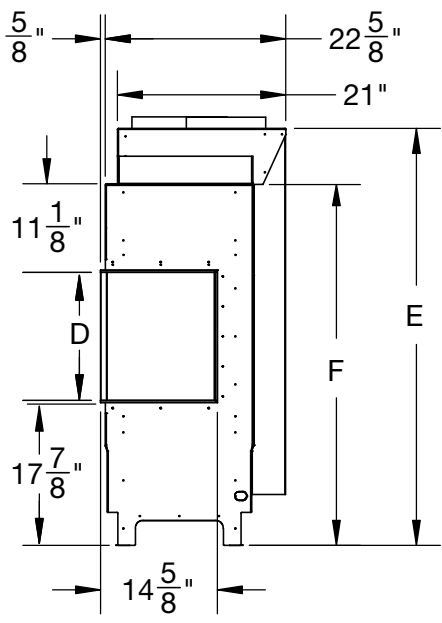


Figure 1: Corner Right - Top Intake - Dimensions.

Bottom Intake Model

	3'	4'	5'	6'	7'	8'
A	51 1/2"	63 1/2"	75 1/2"	87 1/2"	99 1/2"	111 1/2"
B	53 1/4"	65 1/4"	77 1/4"	89 1/4"	101 1/4"	113 1/4"
C	50 1/4"	62 1/4"	74 1/4"	86 1/4"	98 1/4"	110 1/4"

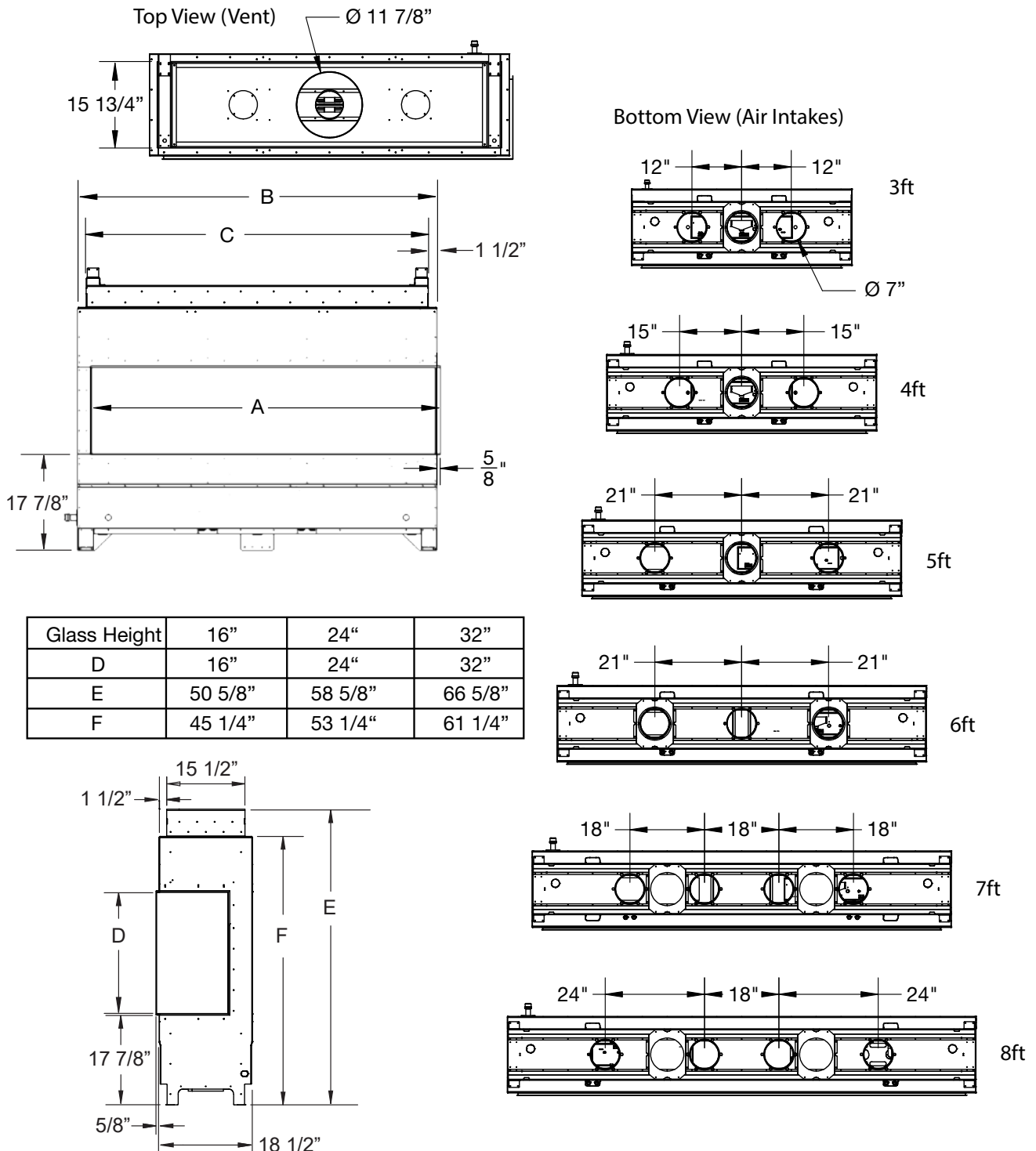


Figure 2: Corner Right - Bottom intake - Dimensions.

Btu Values and Weights

Corner Right	3FT	4FT	5FT	6FT	7FT	8FT
BTR/HR	48000	64000	80000	96000	112000	128000
16" Glass Weight lbs	383	448	530	599	668	735
24" Glass Weight lbs	460	503	592	669	750	821
32" Glass Weight lbs	537	580	669	746	827	898

Minimum Clearances to Combustible Material

- This appliance is a zero clearance fire feature.
- Combustible material may be used to frame this unit in.
- Venting for this unit is also zero clearance.
- Combustible material is permitted to come into direct contact with venting material.
- Optional site fabricated elevated platform

Locating the Unit

Because the Architectural Series Linear Appliance is power vented, it can be located in a variety of places. Consideration must be taken for the location of the fresh air intake and the power vent unit venting. An optional site fabricated platform capable of supporting the appliances weight may be constructed to elevate the viewing area to the desired height, and so that it can accommodate the fresh air intakes (if bottom vented), gas supply and electrical supply.

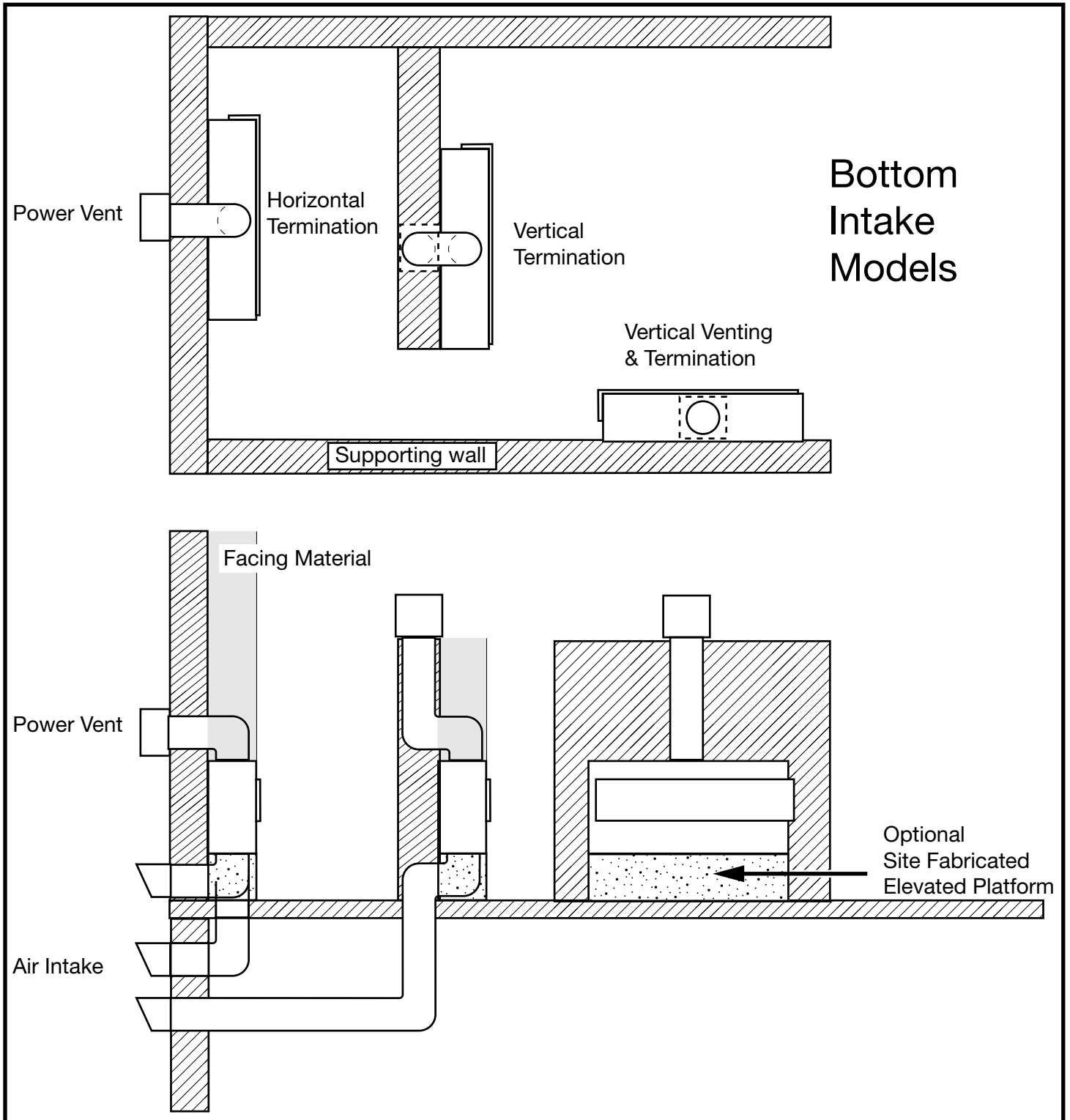


Figure 3: Location options for Bottom Intake models.



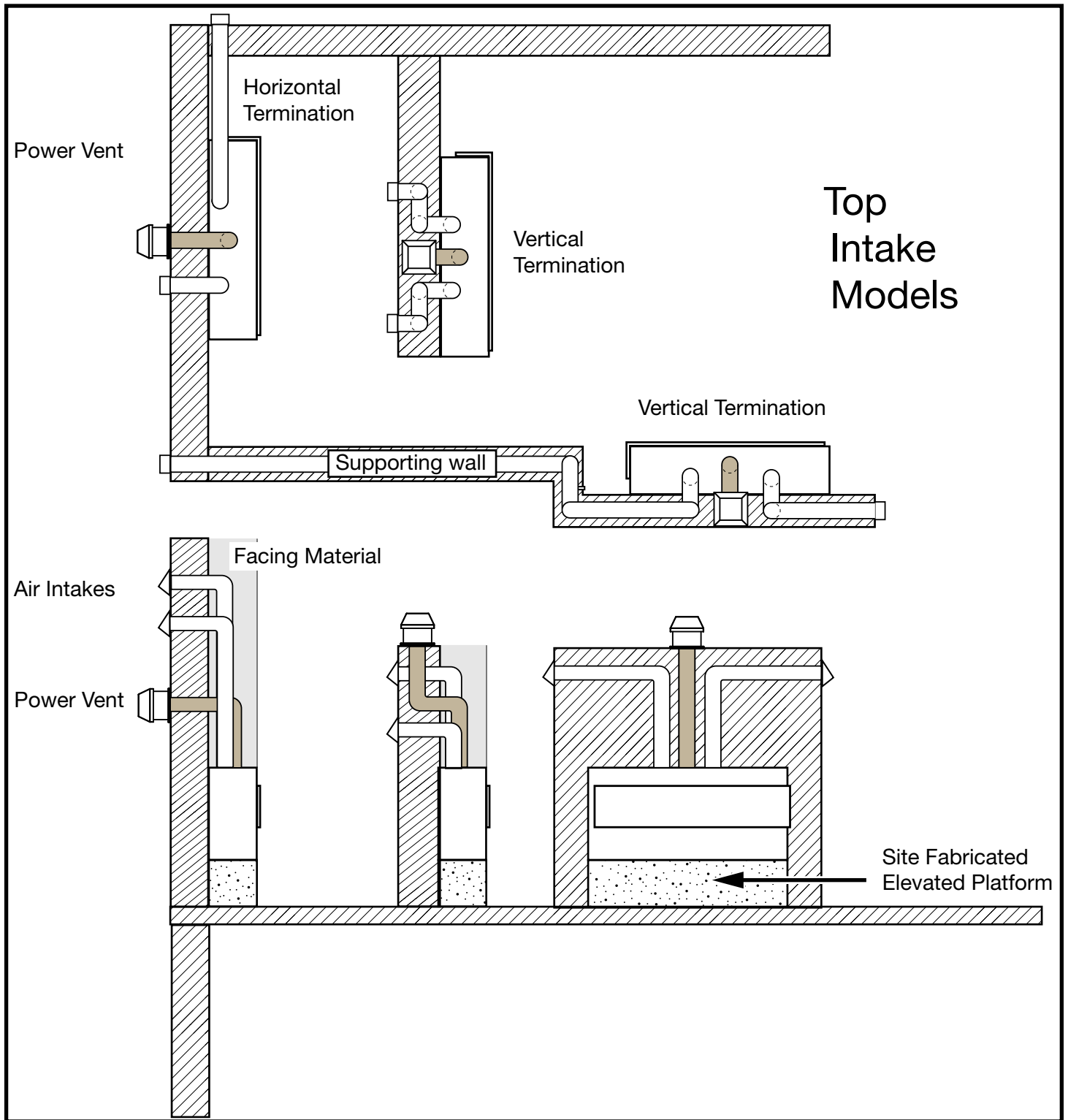


Figure 4: Location options for Top Intake models.

Framing and Finishing

Bottom Intake Models

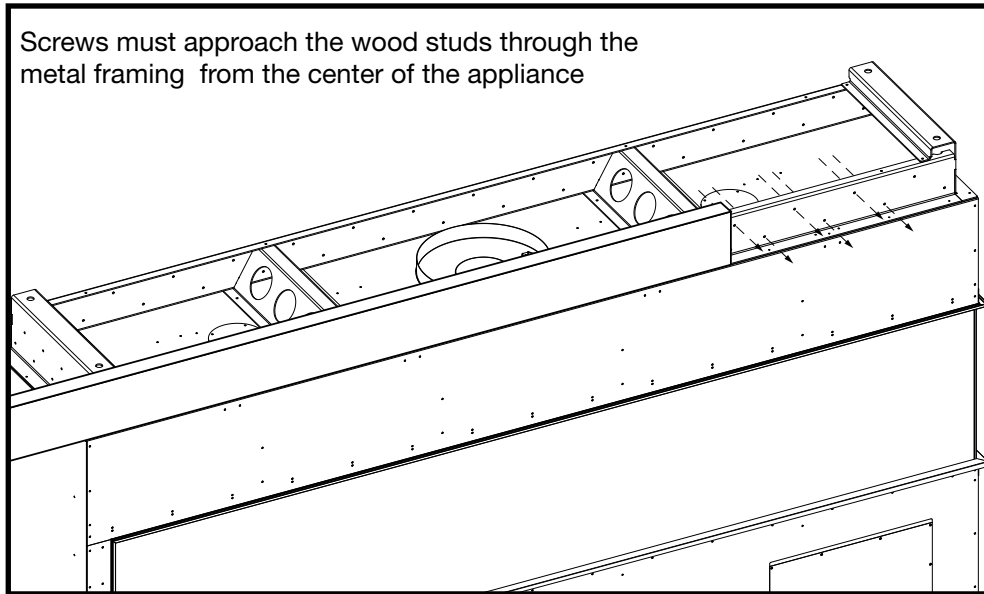


Figure 5: Stud securing points for bottom intake models.

Before framing and finishing, there are two important points to keep in mind:

1. When securing the top of the unit to the wooden studs, the screws must come through the metal framing from the center of the unit (Figure 5).
2. Facing material can be secured directly to the front and sides of the unit except in the areas indicated in this example by Figure 6. Each model will have its own specific areas in which screws must not be driven into.

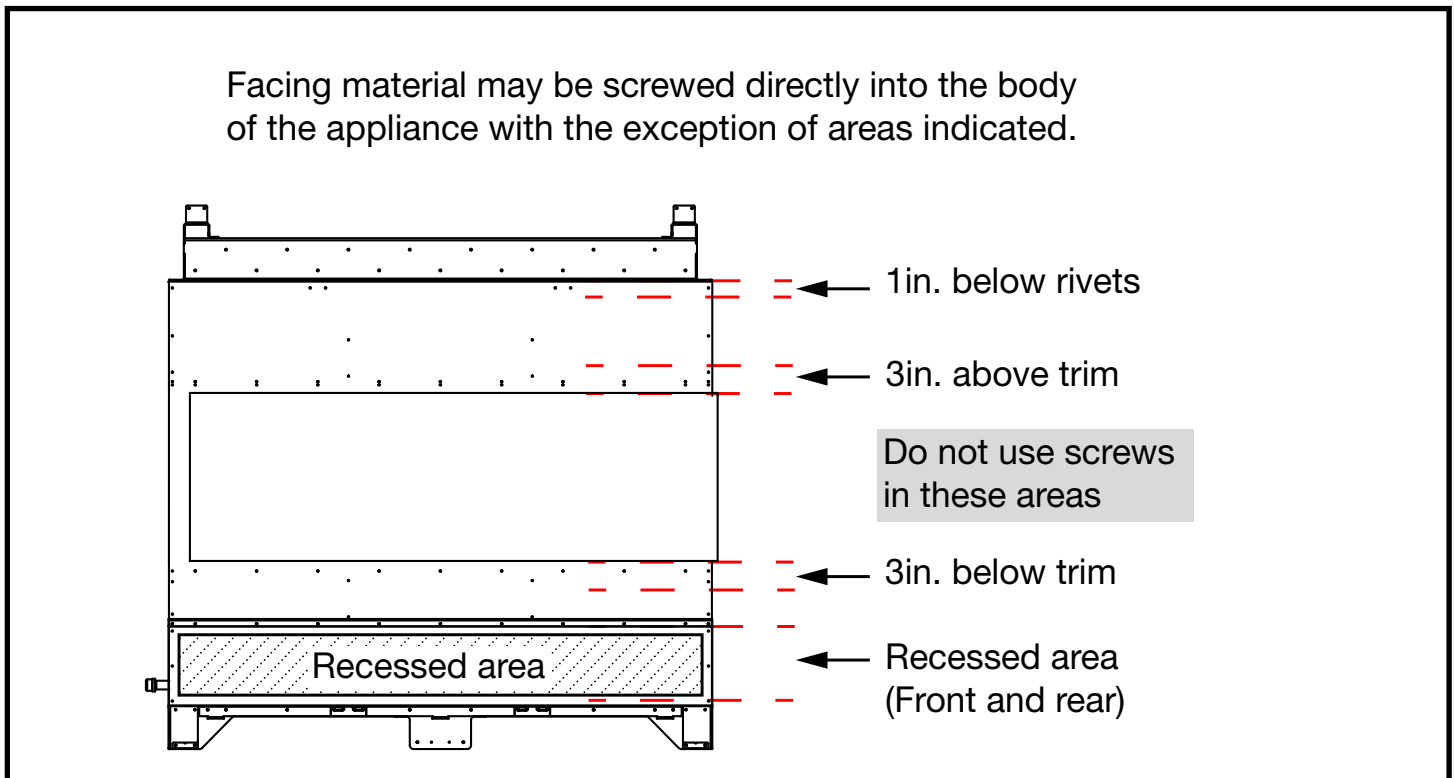


Figure 6: Facing attachment area for Bottom Intake models.

Top Intake Models

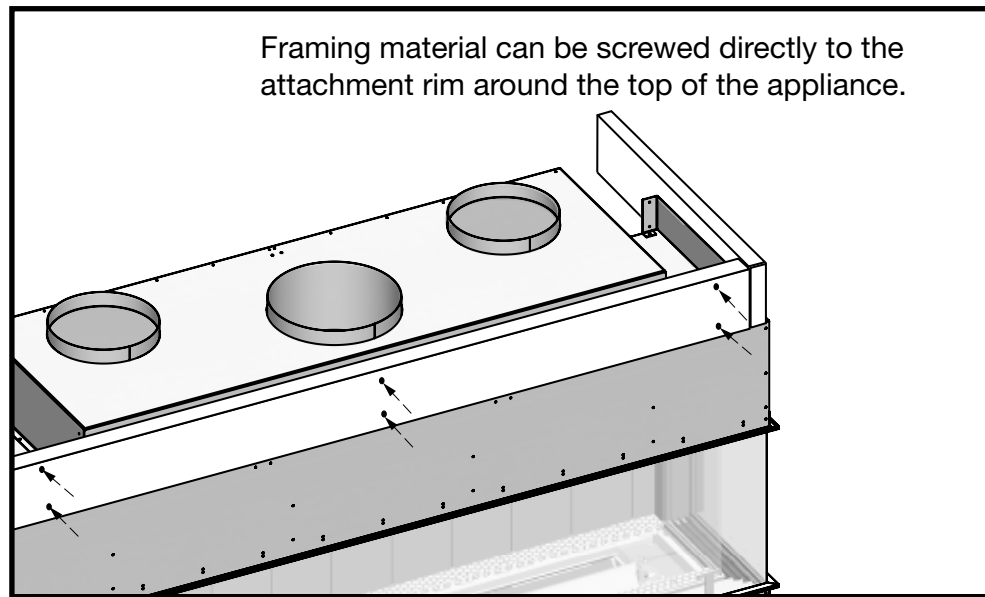


Figure 7: Stud securing points for Top Intake models.

Before framing and finishing, there are two important points to keep in mind:

1. When securing wooden studs to the top of the unit, the screws can be secured through any part of the upper fastening area surface (Figure 7).
2. Facing material can be secured directly to the front and sides of the unit except in the areas indicated in this example by Figure 8. Each model will have its own specific areas in which screws must not be driven into.

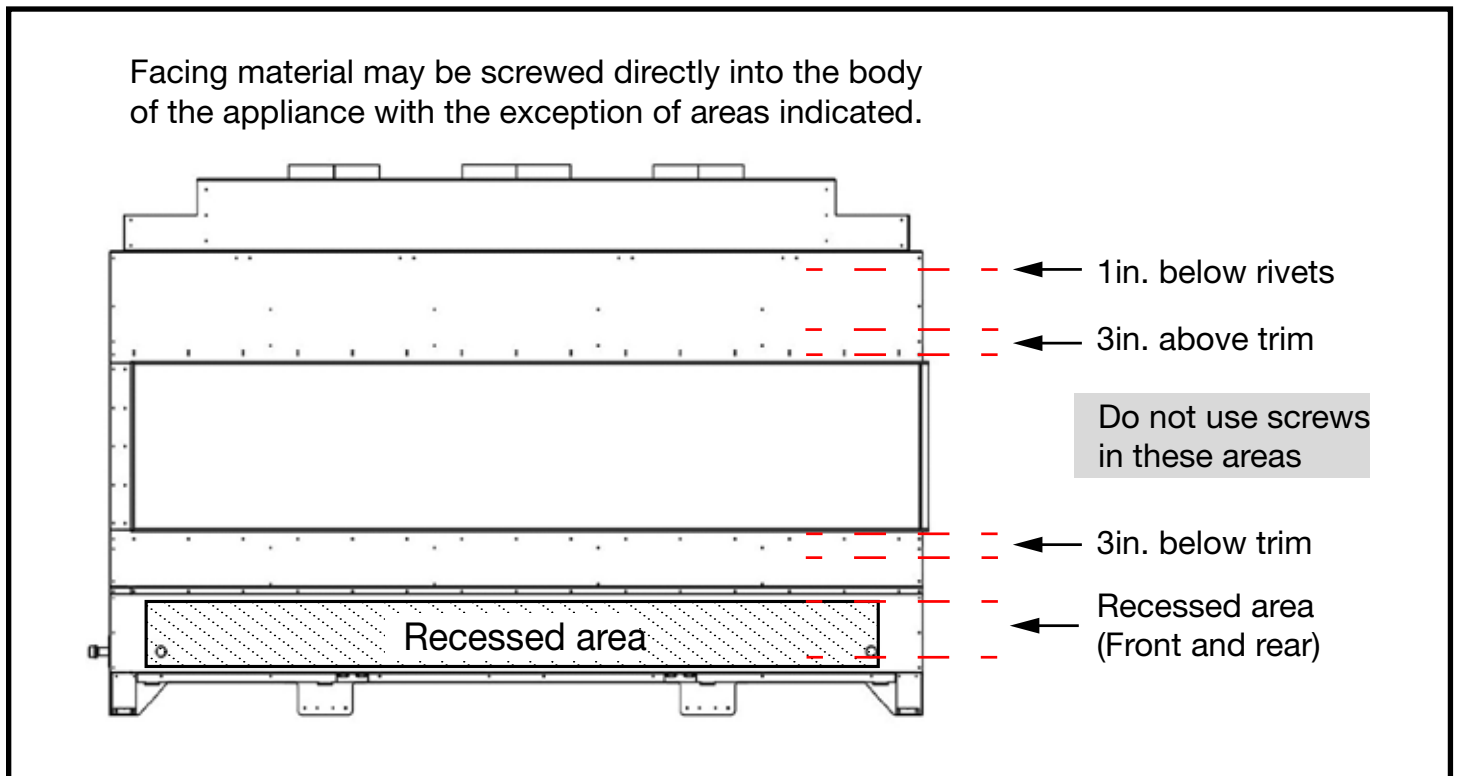


Figure 8: Facing attachment area for Top Intake models.

Framing

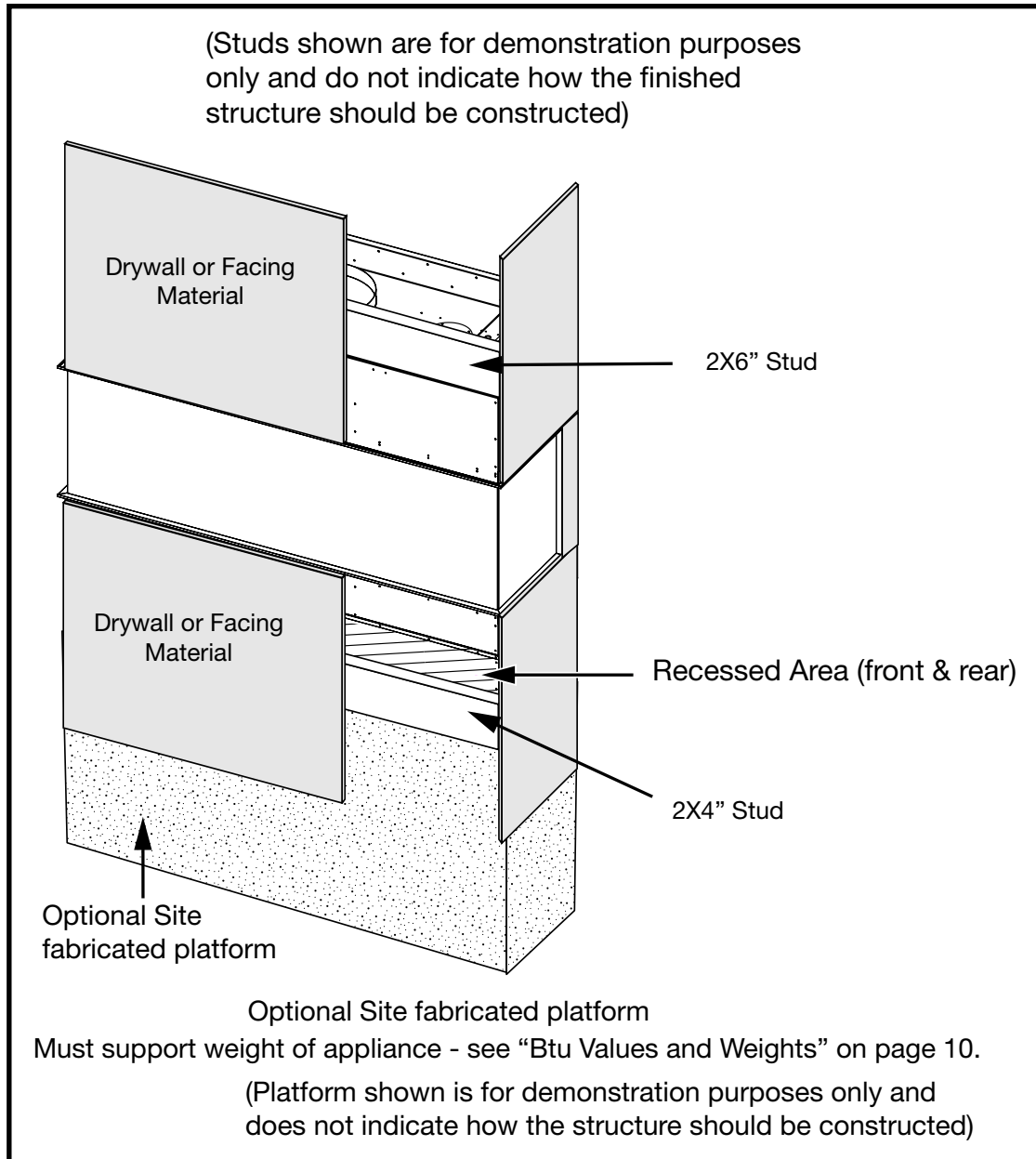


Figure 9: Corner right framing and facing.

NOTE: The architectural series fireplaces have a large amount of venting air being drawn through them. It is recommended to insulate the framework that encloses the venting above the fireplace with a sound-proofing insulation such as mineral wool, to reduce any air flow white noise.



Facing Material

Because the unit requires no clearance to combustible material, drywall or other facing material can be affixed directly to the surface of the unit. Using standard 2x4's and 2x6's in the framing process allows for the edge of 1/2" drywall or other facing material to fit into the channels which make up the perimeter of the exterior glass sheets (Figure 10 and Figure 11).

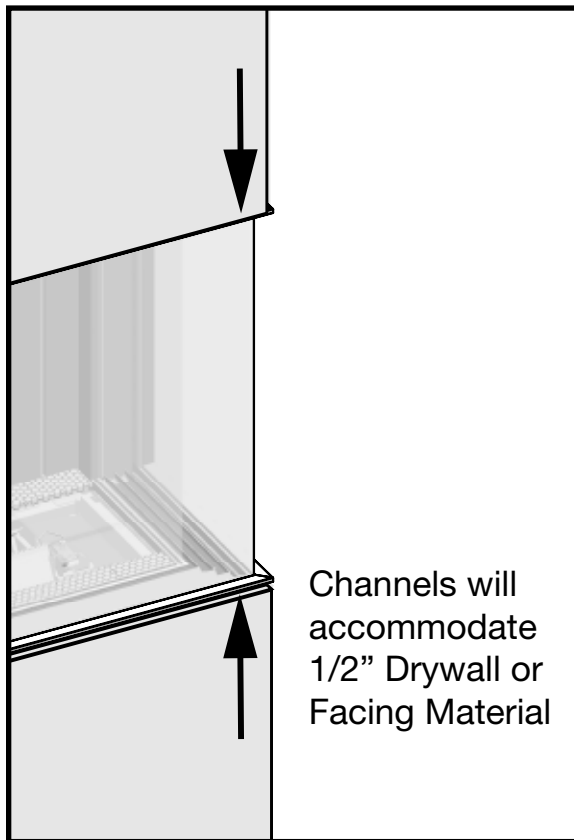


Figure 10: Leading edge of drywall.

NOTE: The architectural series fireplaces with the exception of the peninsula models are capable of bearing up to 1000lbs of facing material weight. Up to 1 inch stone may be used. An architectural series fireplace is not to be used as a load bearing structure.

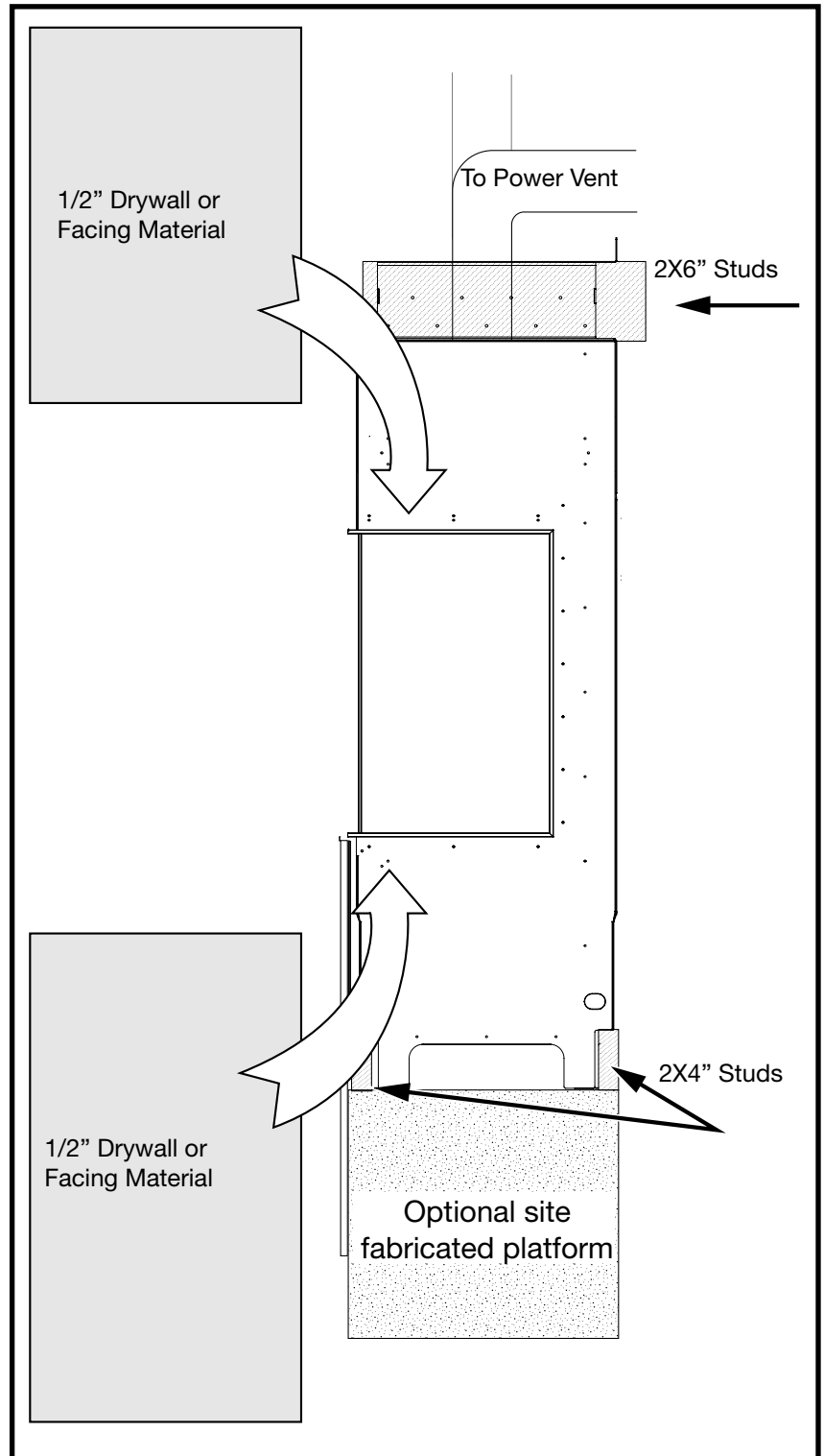


Figure 11: Right side framing and facing view.

Venting Configuration

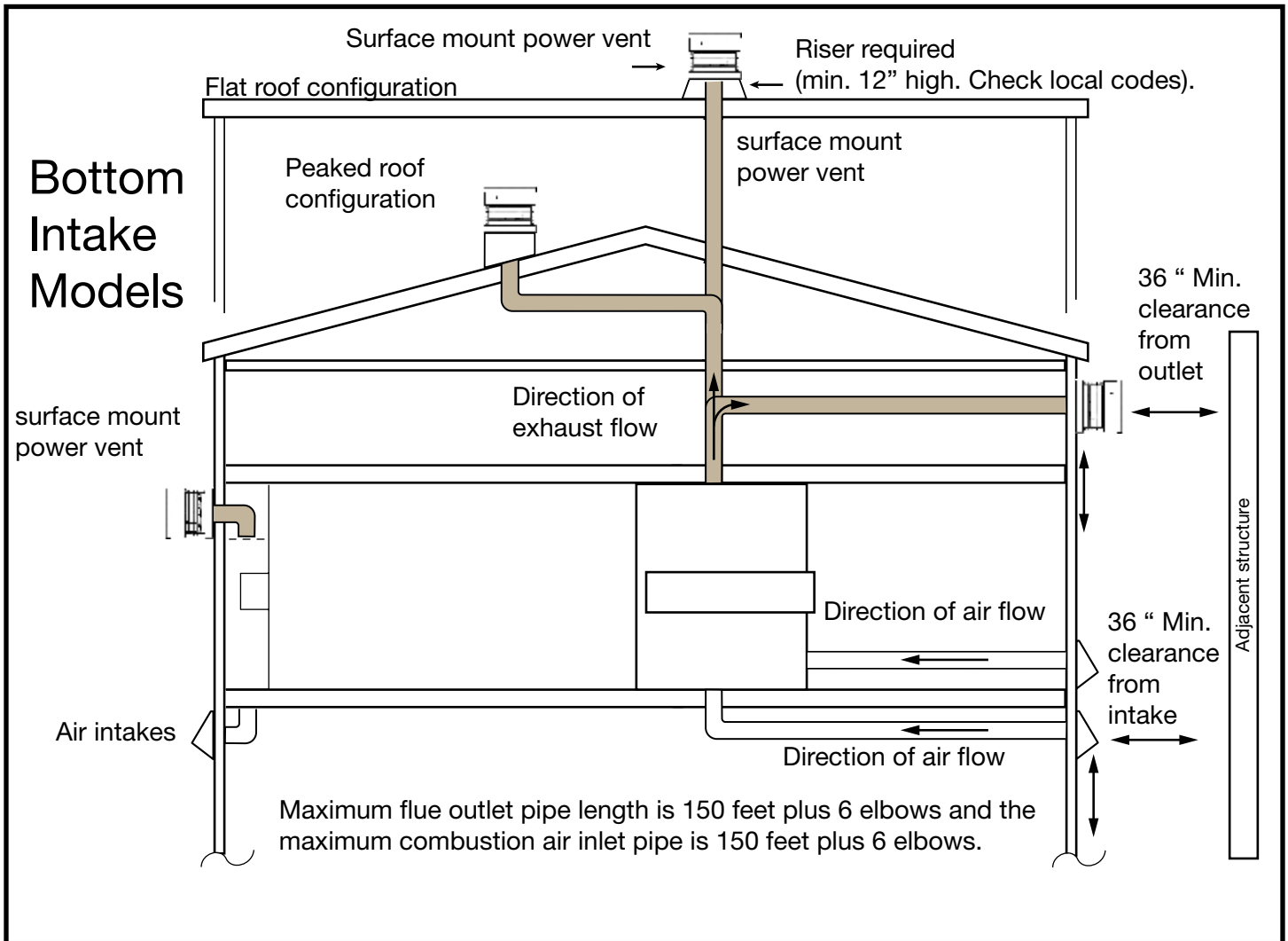


Figure 12: Venting configurations for bottom intake models.

Venting plenum

Intake must be a minimum single wall, 26ga galvanized.

Exhaust must be 12" B-vent.

NOTE: Plenum must not be shared with other appliances.

Some installations - particularly in new renovations or with pre-existing constraints / obstacles may require the construction of a plenum in order to accommodate multiple air intakes.

The plenum must be made of furnace ducting (Minimum 26 gauge) or other material impervious to moisture. The constructed plenum must have a minimum cross-section of 150in² and be sealed to the air-intake collars on the appliance. The plenum may be transitioned to a single intake as long as the recommended cross-section is maintained.

For a single air intake, the rule of a maximum of 150 feet plus 6 elbows still applies.

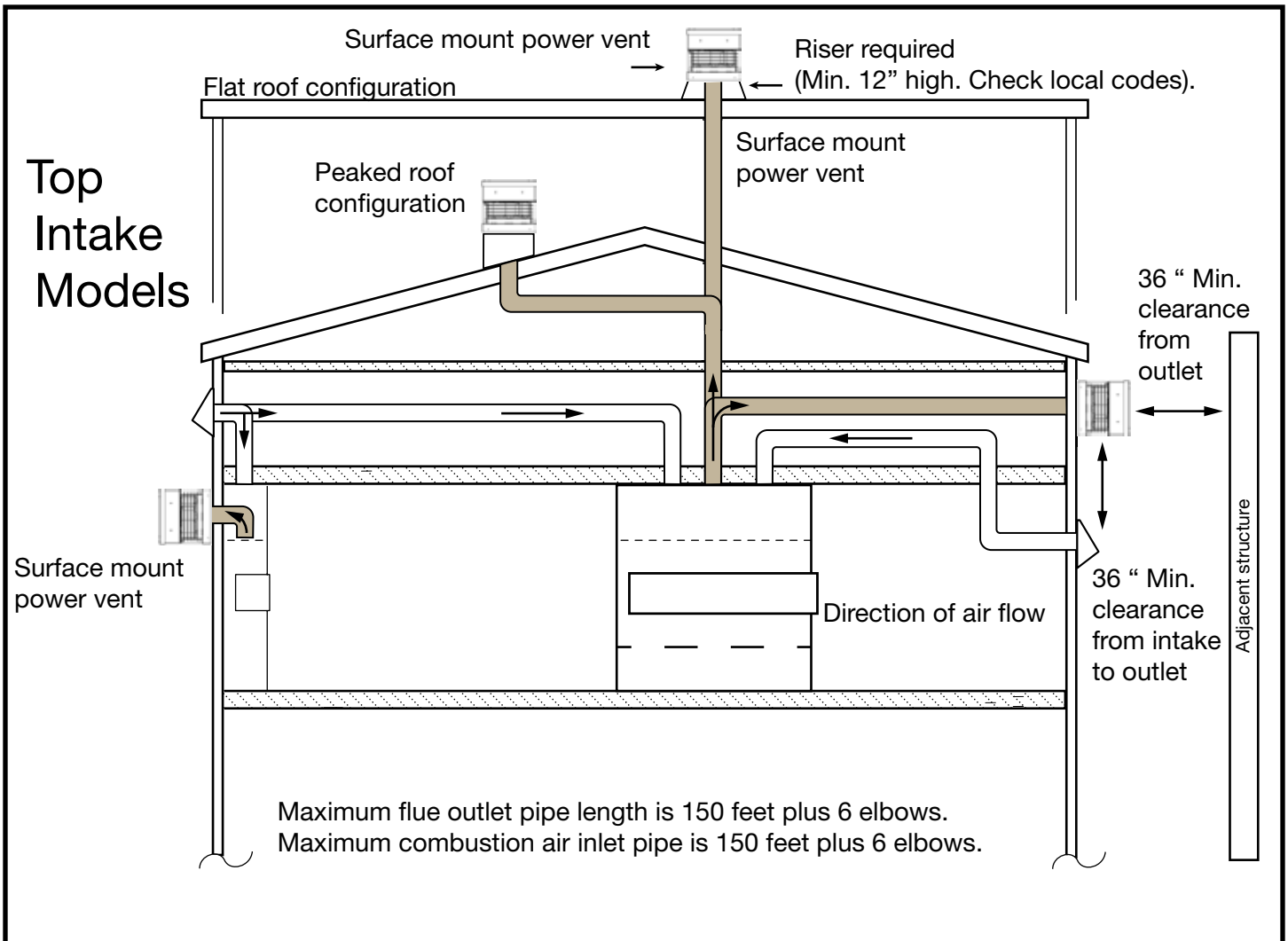


Figure 13: Venting configurations for Top Intake models.

Venting Specifications

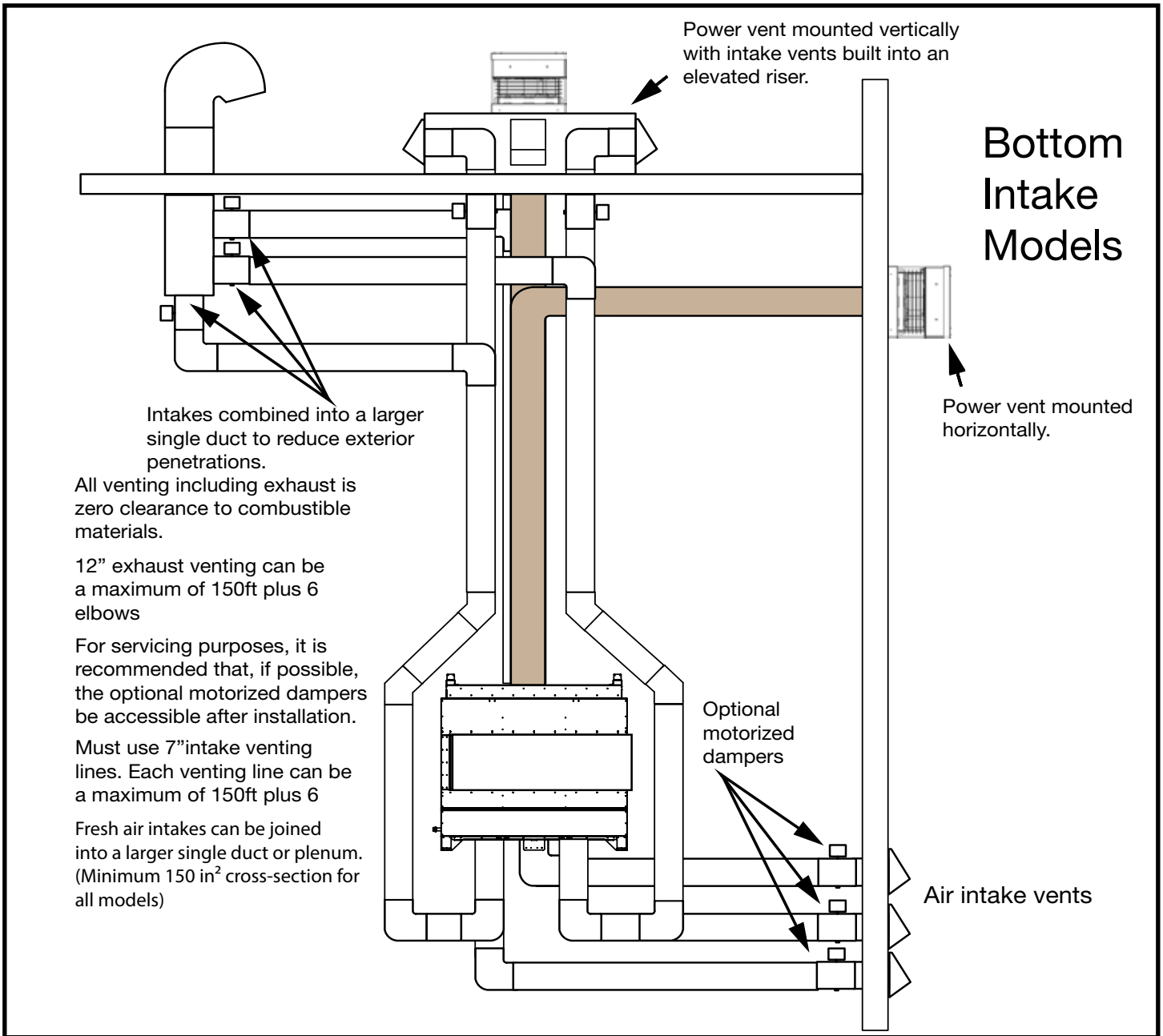


Figure 14: Venting specifications for Bottom Intake models.

- Bottom Air intake venting uses three 7" standard single wall furnace grade venting ducts on 3-6ft burner models, and four 7" vents on 7-8ft models. All vent intakes must be used. Each intake line can be up to a maximum of 150 ft plus 6 elbows.
- Motorized dampers are optional.
- Exhaust venting uses 12" standard single wall furnace grade venting material. Maximum length is 150 ft plus 6 elbows.
- All Venting is zero clearance.
- All Vent seams (Intake and Exhaust) including elbow rivets must be sealed with high temperature aluminum tape.



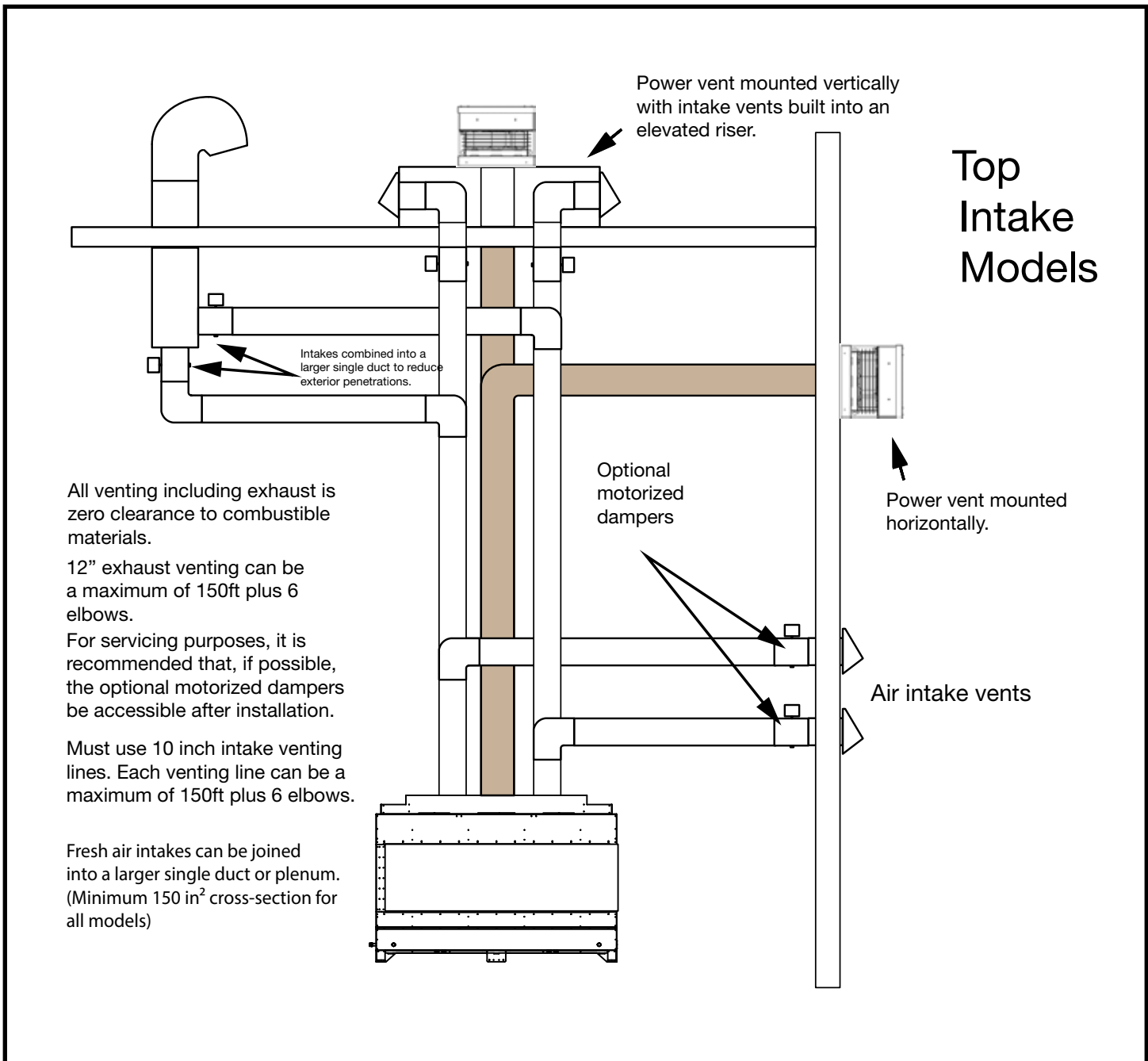
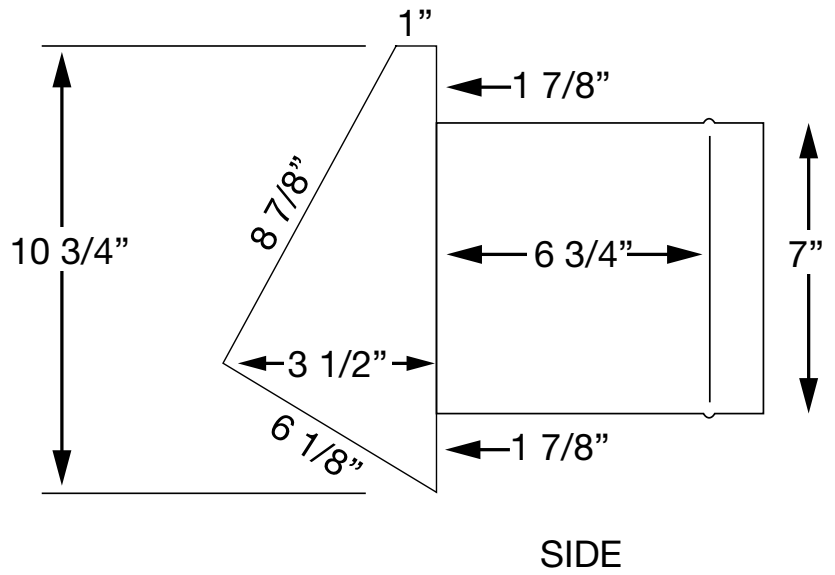
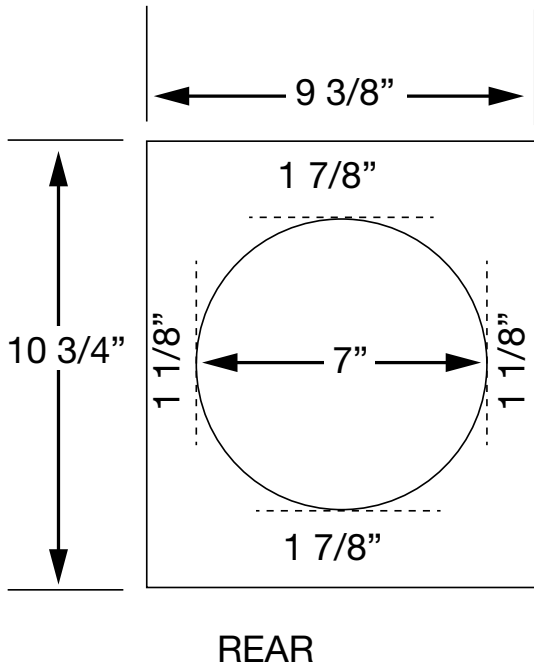
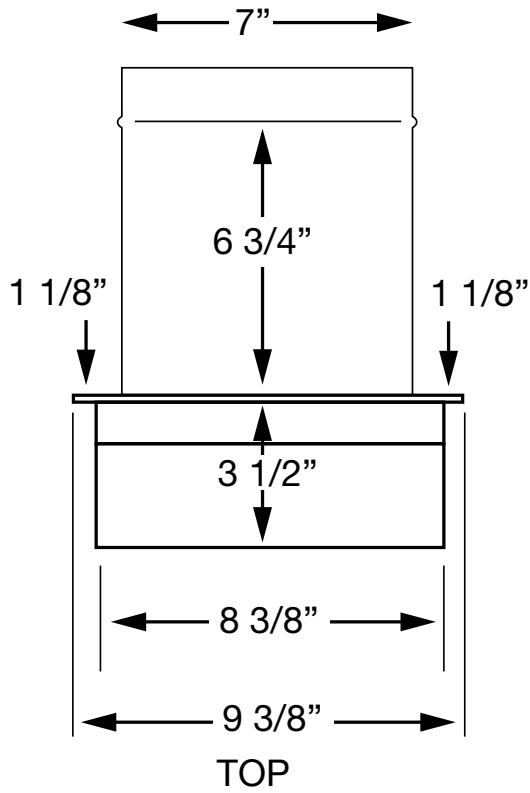


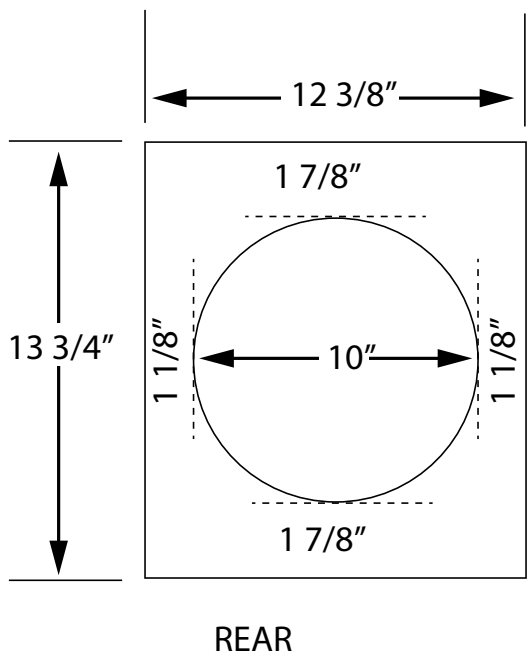
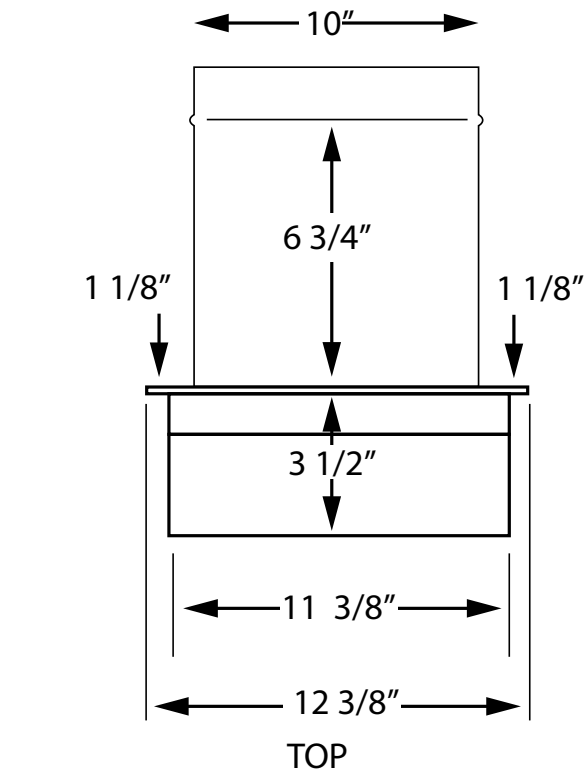
Figure 15: Venting specifications for Top Intake models.

- Top Air intake venting uses two 10" standard single wall furnace grade venting ducts on all models. Both lines must be used. Each intake line can be up to a maximum of 150 ft plus 6 elbows.
- Motorized dampers are optional.
- Exhaust venting uses 12" standard single wall furnace grade venting material. Maximum length is 150 ft plus 6 elbows.
- All Venting is zero clearance.
- All Vent seams (Intake and Exhaust) including elbow rivets must be sealed with high temperature aluminum tape.

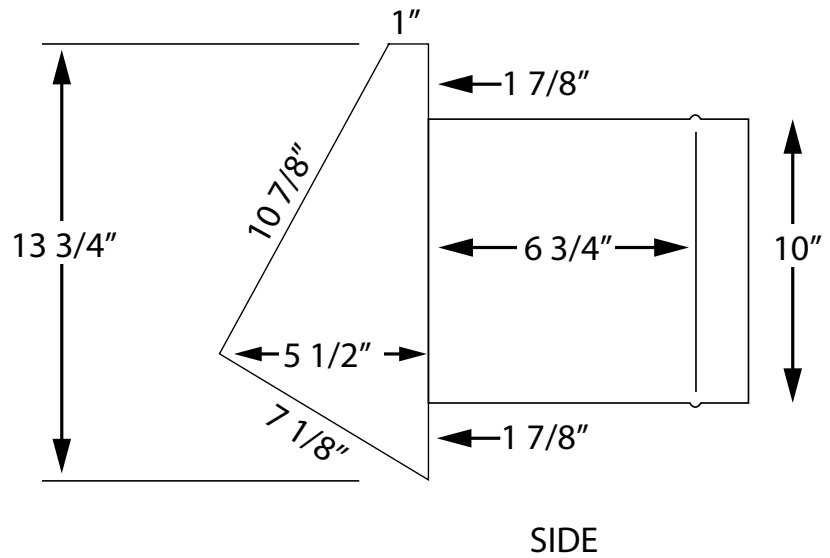
Air Intake

7 Inch Intake Hood Dimensions





10 Inch Intake Hood Dimensions



Optional Motorized Damper



Figure 16: Optional motorized damper.

The optional motorized damper closes off air from the outside being able to enter the fireplace when the fireplace is off. This unit is mounted near the air intake vent. This unit is wired directly to the fireplace body (Figure 54 on page 40). One motorized damper is required for each of the air intake venting lines.

All bottom intake models use 7 inch motorized dampers if required for installation.

All top intake models use 10 inch motorized dampers if required for installation.

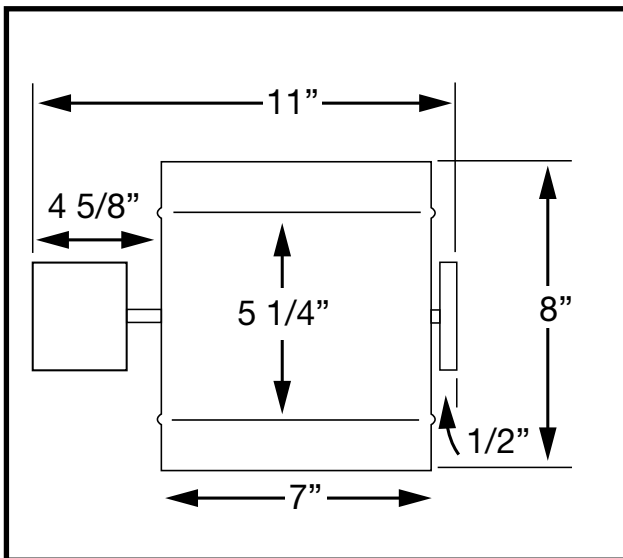


Figure 17: 7 inch Motorized damper dimensions.

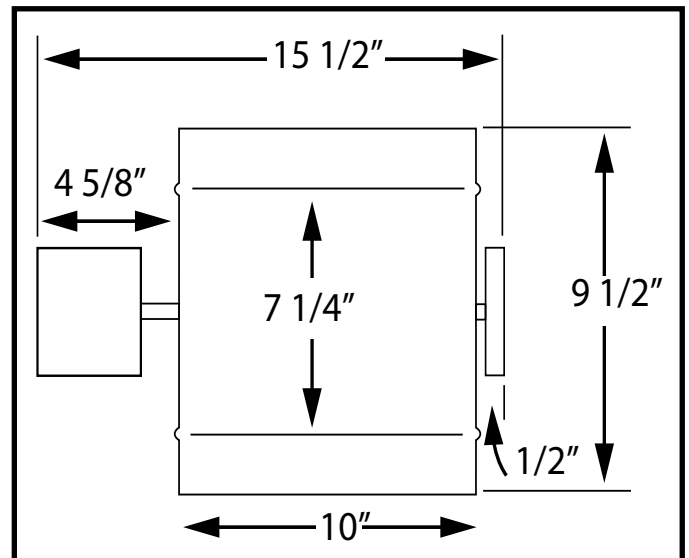


Figure 18: 10 inch Motorized damper dimensions.

Power Vent

This section is an overview of the Power Vent Installations. Consult the specific Power Vent Manual (included with each power vent) for up to date and detailed instructions.

NOTE: The installer must supply;

- An approved 14ga. household power wire from the fireplace to the Power Vent, for the 120VAC power. and,
- A minimum 18ga, 2 conductor (bell/alarm) wire from the fireplace to the power vent for the 24VAC Blower Control.

Electrical Motor specifications:

115 VAC Single phase, 60 Hz 1/2 HP 6.8 Amps

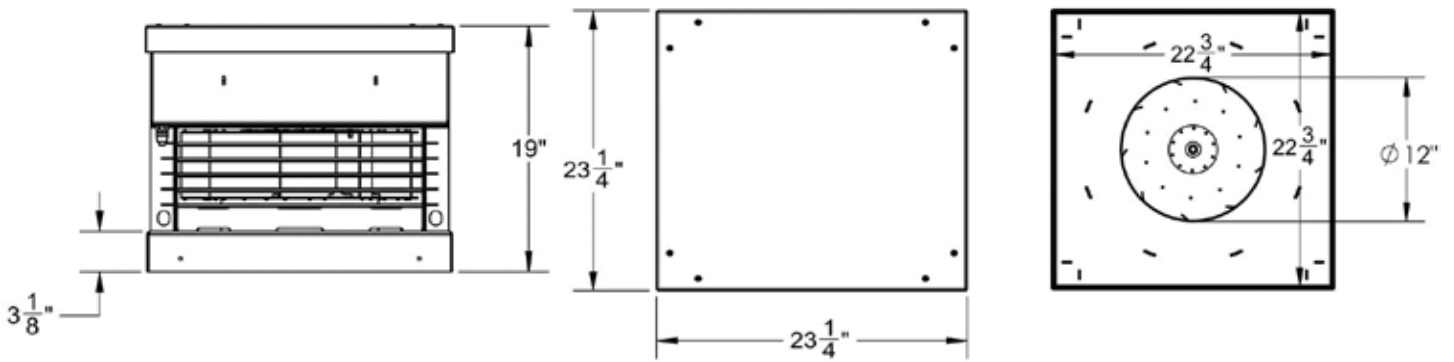
Weight: Aprox. 30 lbs.



Figure 19: Power vent.

Architectural Series Power Vent with junction box attached.

Power Vent Dimensions



Vertical Installation

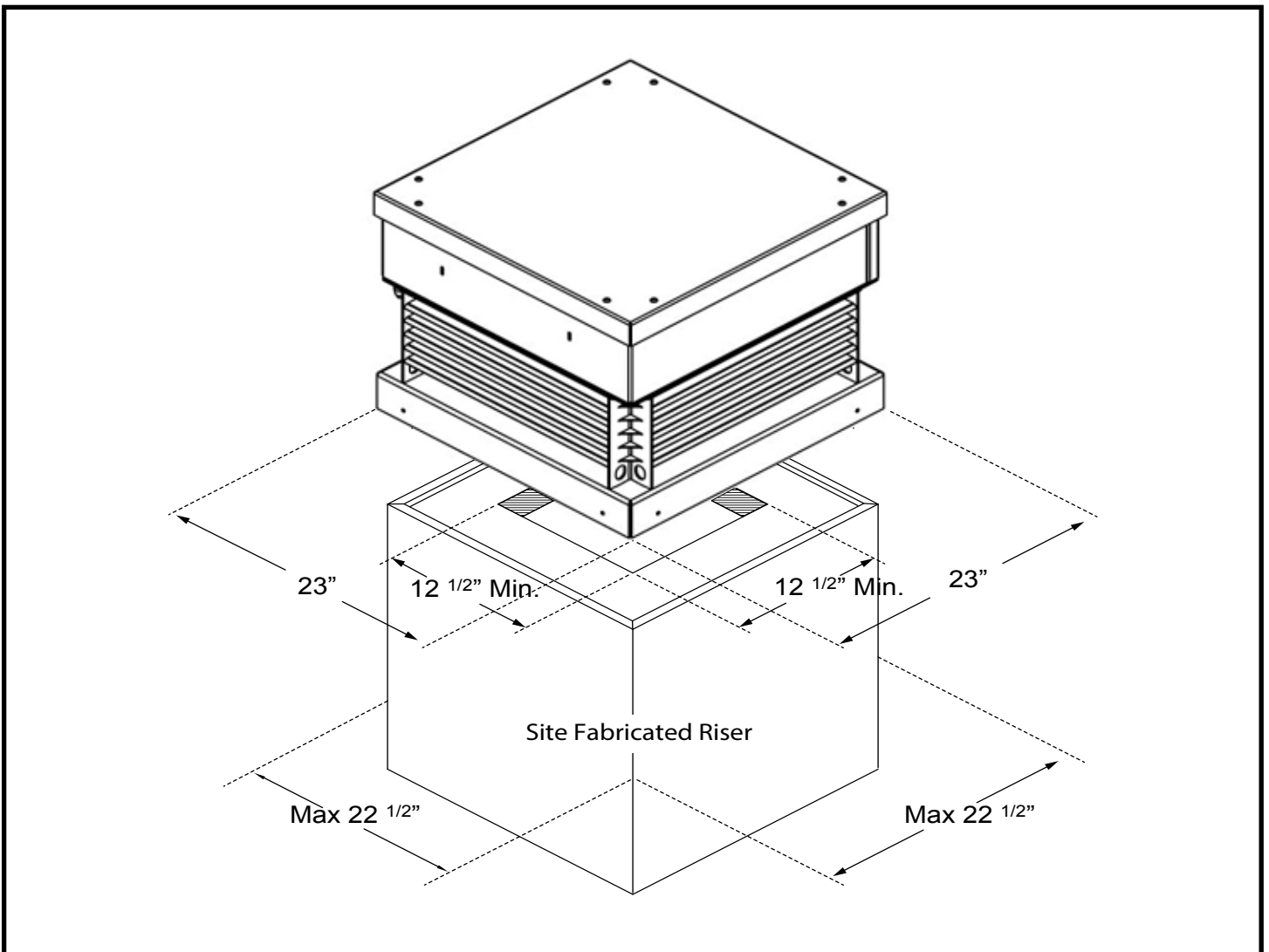


Figure 20: Power vent vertical installation.



Horizontal Installation

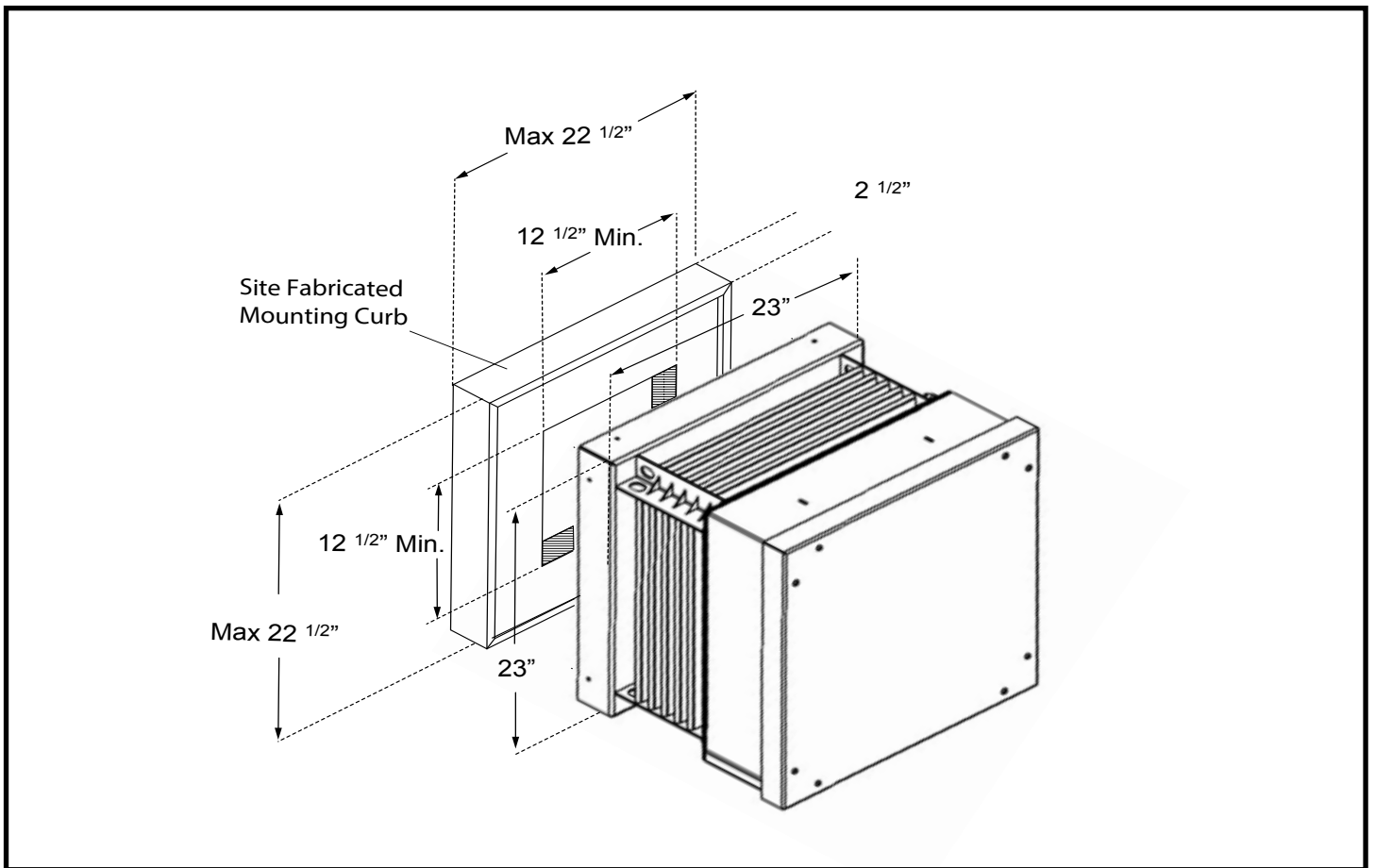


Figure 21: Power vent horizontal installation.

When installing the power vent horizontally, ensure the side of the power vent with the attached electrical junction box is facing downwards.

Use exterior silicone/caulk around the base of the power vent to seal it to the building envelope.

Any horizontal run leading to the power vent shall be sloped down to the outside at a minimum of 1/4 inch per foot of vent length.

Vent Terminal Clearance

Note: Minimum 3 feet clearance from solid objects/walls or between multiple power vents.

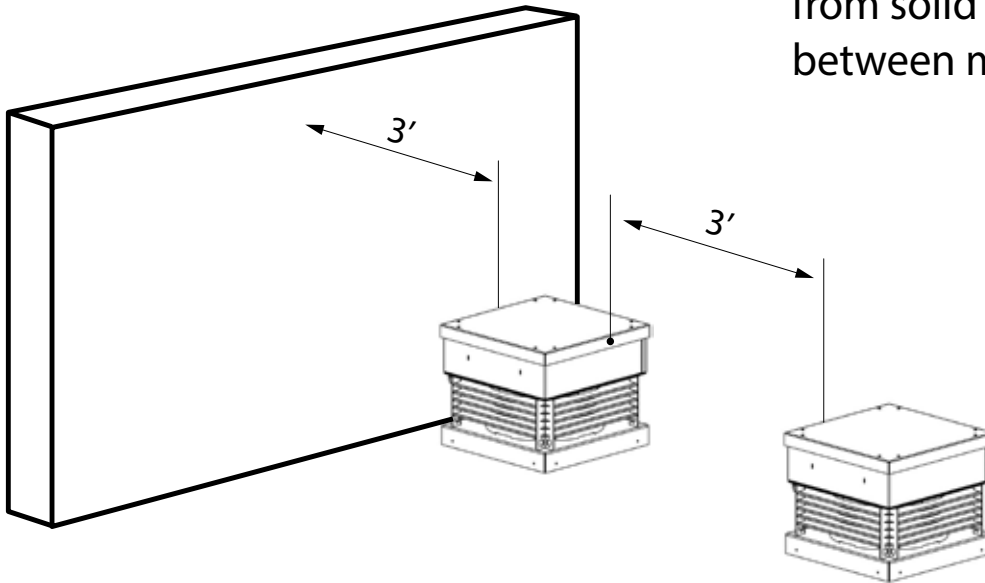


Figure 22: Power vent clearances.

Power Vent Wiring

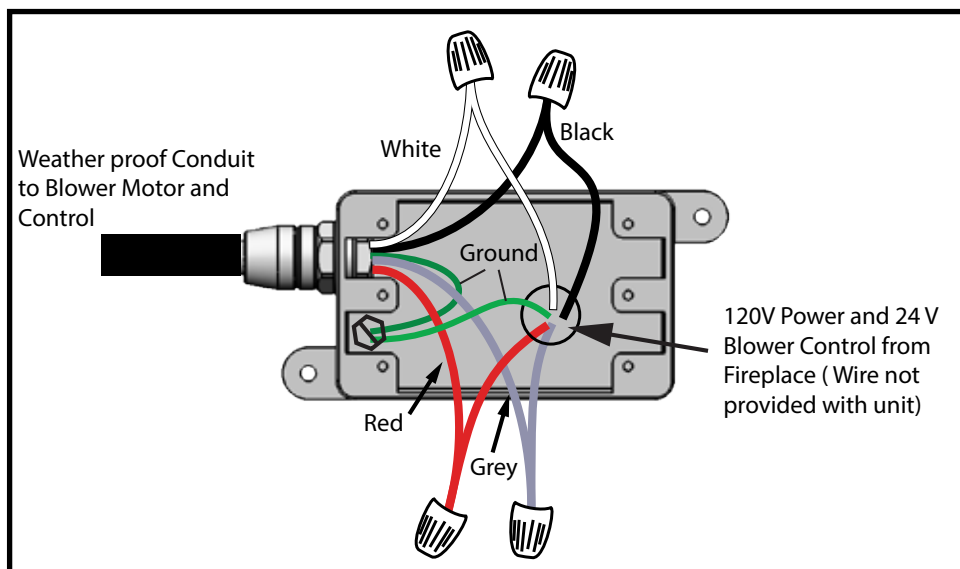


Figure 23: T.S. Wiring diagram.

Flush Mount Power Vent Dimensions

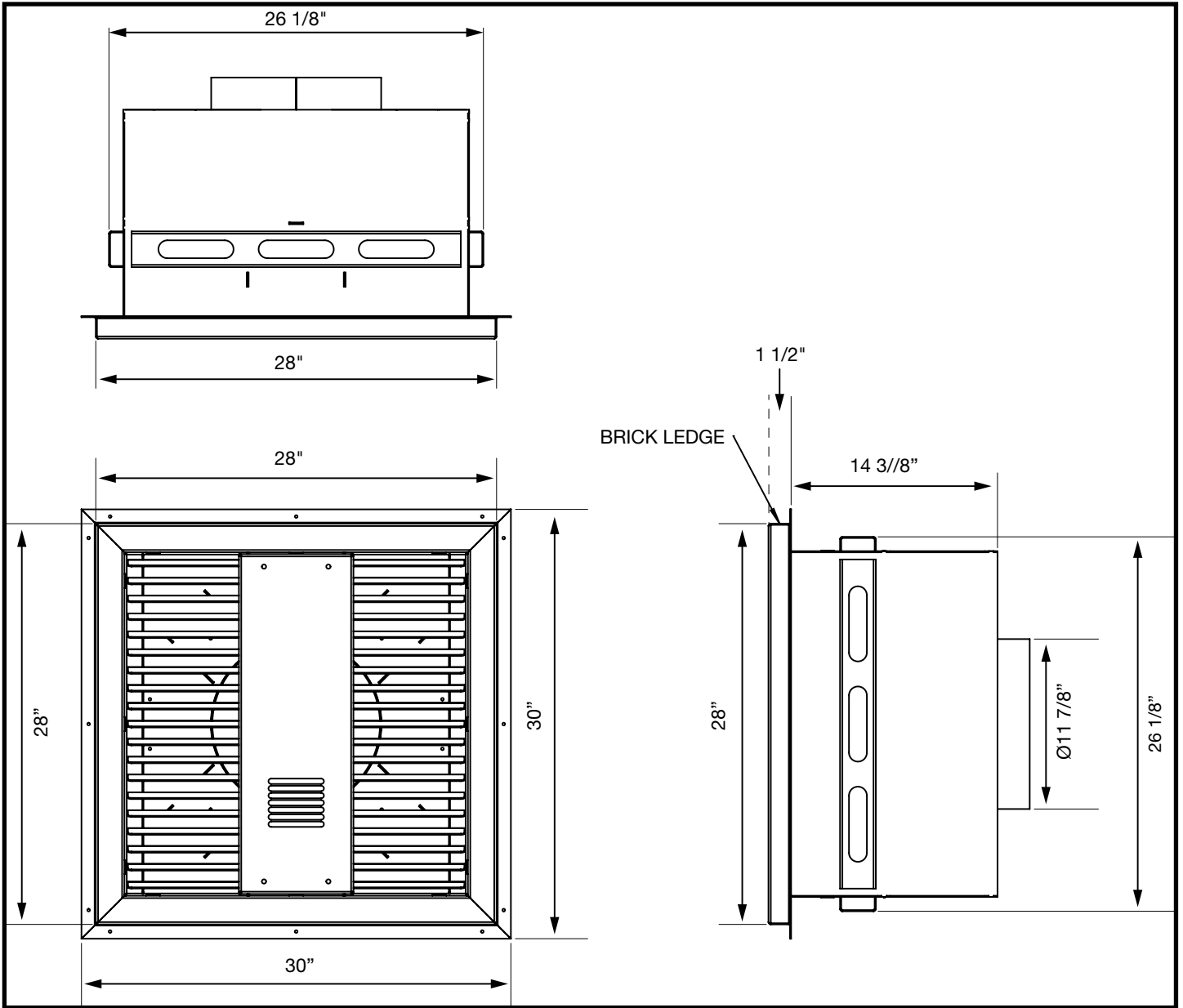


Figure 24: Architectural series power vent dimensions.

Mounting the Flush Mount Power Vent

The Architectural Series Power Vent must be mounted into a constructed frame. The size of the unit (28" x 28") means that part of a stud will need to be removed in order to build the frame.

Before installing the fan into the frame, the front grill must be removed so an electrical connection can be established.

Removing the grill

The front grill must be removed before installing the unit into its frame. Locate and remove the four screws affixing the grill to the unit (Figure 37) - remove grill and set aside.



Figure 25: Screws for grill.

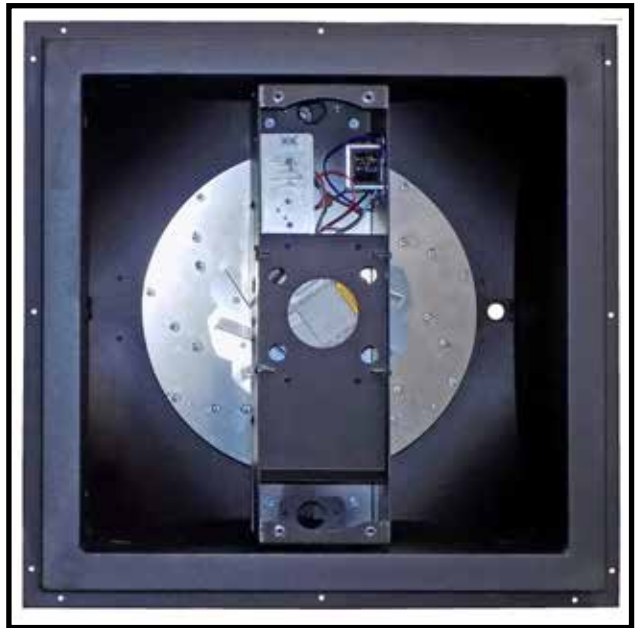


Figure 26: Securing points for the fan unit.

Installing the fan unit

The fan unit weighs approximately 30 lbs and so the constructed frame must be able to support its weight.

The fan unit is secured to the constructed frame using the 12 supplied screws (Figure 33).

Note: The constructed frame must be built in accordance with local building codes.

Minimum Clearances to Combustibles

Body of Power Vent:	0"
Vent pipe:	0"

Framing the Flush Mount Power Vent

Recommended framing. See local building codes for more information.

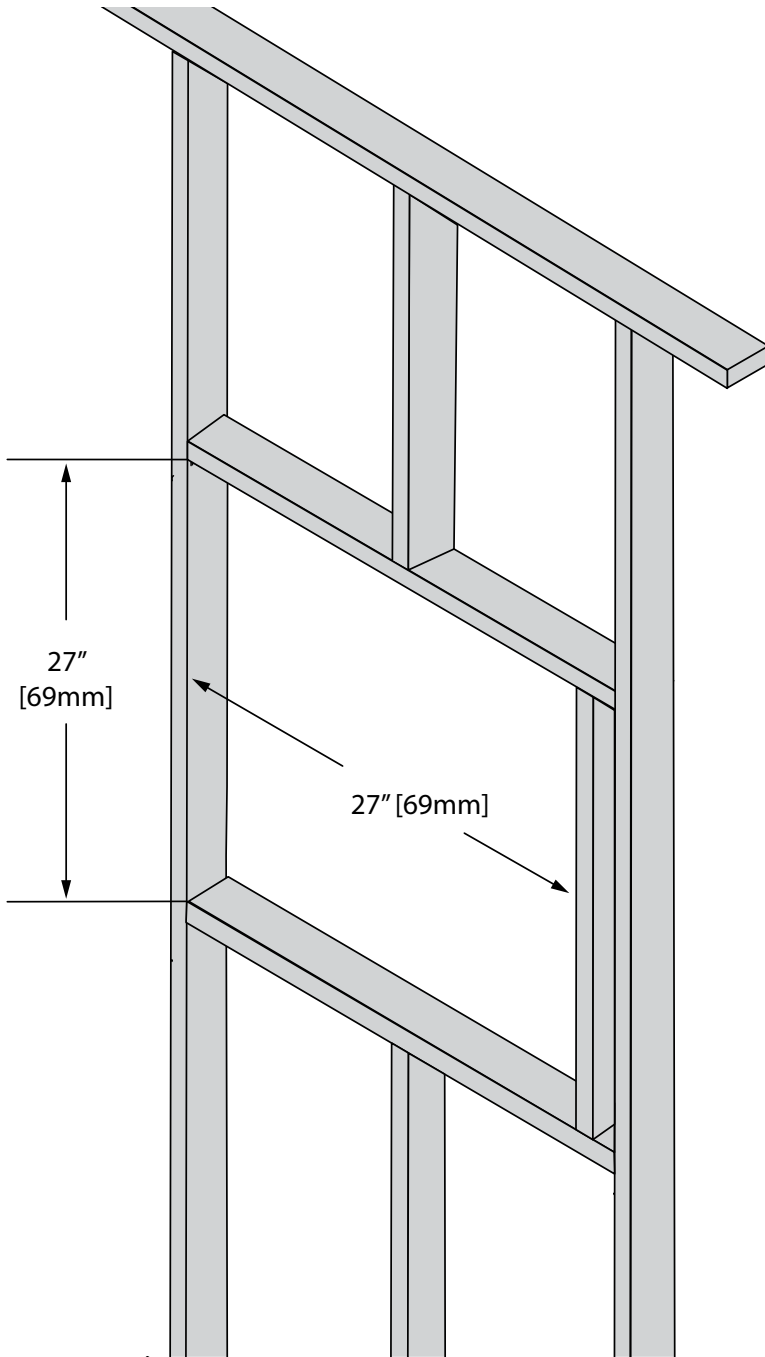


Figure 27: PV Framing Dimensions.

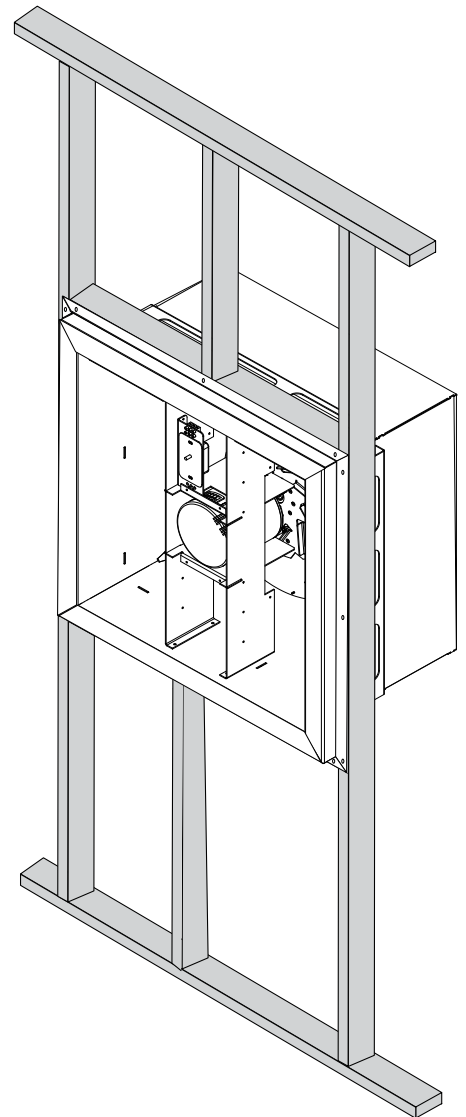


Figure 28: Fan - without grill, installed.

Flush Mount Electrical Connection

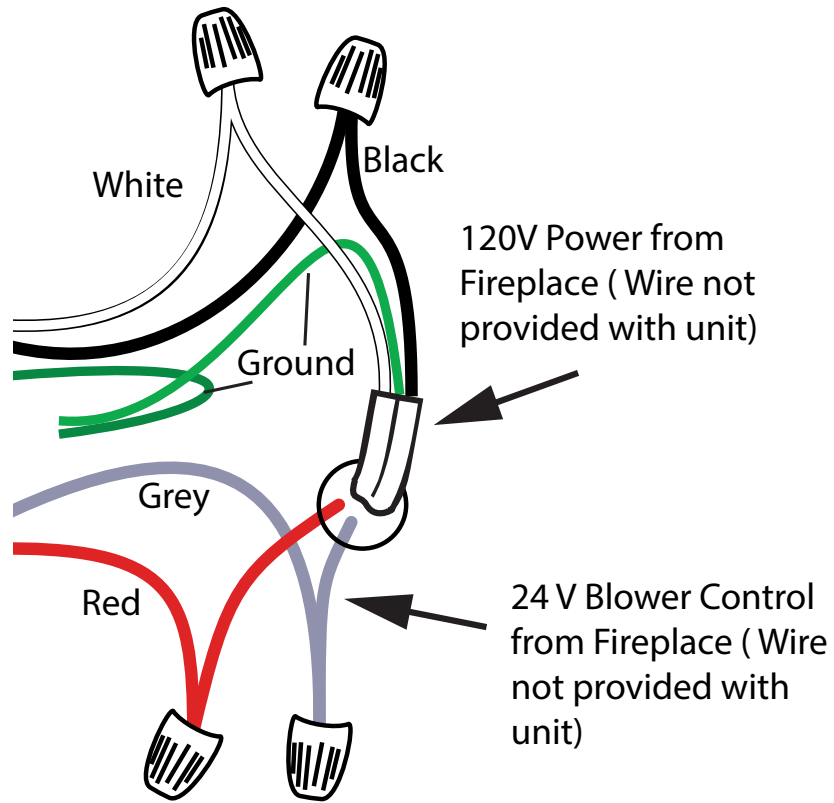


Figure 29: FMPV Wiring Diagram.



Baffle Adjustment



Figure 30: Adjustable baffle ports.



Figure 31: Adjustment accessible through the baffle cover.

The air baffle (Figure 30) is set to fully open before it is shipped and might need adjustment. However, if adjustment is required, the sliding plates can be moved by inserting a screwdriver or other object up through the baffle cover (Figure 31). There is a bracket on either end of the baffle to use for easy adjustment. If the flame pattern is too hectic, close the baffle opening a half inch at a time and monitor the flame with all glass panes installed.

NOTE: The more you close the baffle, the more the outer glass temperature will rise, as less heat is being evacuated from the combustion zone.

The baffle cover is secured with six bolts (Figure 31). If removal of the baffle cover is necessary, always remove the two center bolts last, as well as installing them first when re-installing the baffle cover.

Gas Connection



Figure 32: Gas connection point.



Figure 33: Gas valve shut off.

All units ship with a capped half inch NPT pipe for gas connection (Figure 32).

All units also ship with a gas valve shut-off (Figure 33). This shut-off handle is located on the right side of the glass door opening between the inner and outer glass panes. Push this handle down before installing the outer glass panes.



Black Glass Option Installation



Figure 34: Insert top end of rear black glass plate first.

Note: Installation of the rear black glass plate is a two person job.

1. Using the supplied suction cups, insert the top edge of the rear black glass plate into its slot located on the ceiling of the unit (Figure 34).
2. With the top edge of the plate lifted into its slot, maneuver the bottom edge of the plate over top of the mesh tray and lower the plate down into its slot (Figure 35).



Figure 35: Lift bottom end of black glass over the rear mesh screen.



Figure 36: Rear black glass plate in place.



Figure 37: Insert top of side black glass first.

3. Insert the top edge of the left hand black glass sheet into its slot located in the ceiling of the unit (Figure 37).
4. With the top edge of the side plate lifted into its slot, maneuver the bottom edge of the plate over top of the pilot assembly and over the mesh tray and lower the plate down into its slot (Figure 38).
5. Once all black glass plate are installed, fill the burner tray with crushed glass media.



Figure 38: Insert bottom end of side black glass plate.

Front and Side Glass Plates Installation

Inside glass plates installation

Because of working space constraints, the upper edge of the inner glass plates cannot be immediately inserted into the upper inner slots (Figure 39) until the bottom edge of the glass plate has been lowered into the large gap between the furthest louver and the lower inner slots (Figure 40). Once the glass plate has been lowered into this gap the upper edge can then be lifted up into the upper inner slot.

1. There are 3 horizontal louvers at the bottom of the fireplace opening extending the length of the opening. The bottom edge of the inner glass plates will be inserted down into the gap behind the furthest louver (Figure 40).
2. Install the right side glass plate first. Insert the lower edge of the right side glass plate into the gap directly behind the furthest louver. Then raise the upper edge of the glass plate into its upper inside slot. Tilt the right side glass plate to a vertical position and lower the glass plate into the lower inside slot.

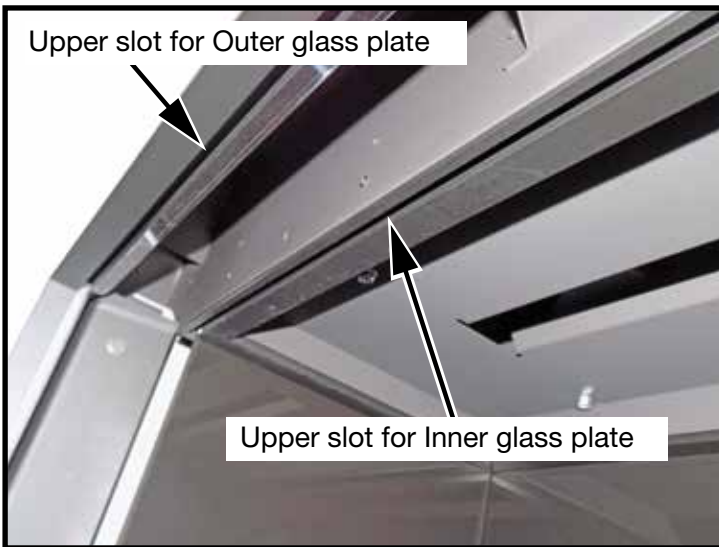


Figure 39: Upper slots for front glass plates.

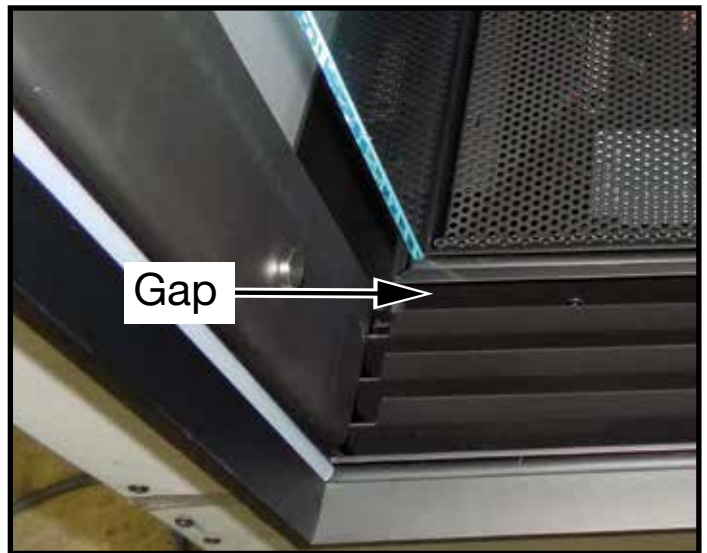


Figure 40: Insertion point between furthest louver and lower inside slot.

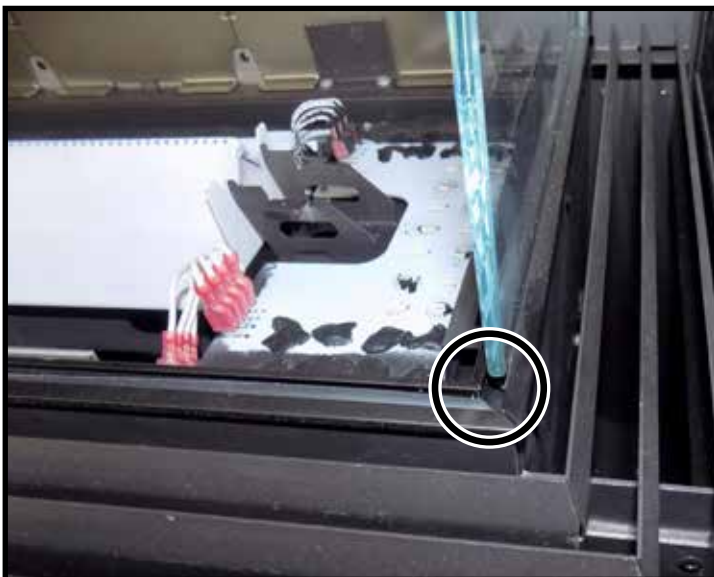


Figure 41: Right hand glass plate pushed toward rear wall.



Figure 42: Lowering bottom edge of inner front plate into gap.

3. Before removing the suction handle, shift the right side glass plate toward the rear wall so that this glass plate will not interfere with the inside front glass plate while it is being installed (Figure 41).
4. Repeat this procedure to install the inside front glass plate. Using the suction handles, insert the lower edge of the inside front glass plate into the gap directly behind the furthest louver (Figure 42).
5. Once the lower edge has been inserted into the gap, tilt the glass plate forward and raise the upper edge into the upper inner slot (Figure 43).
6. Lower the inside front glass plate down into its lower slot (Figure 44). Center this glass plate.
7. Using a suction handle, gently shift the inside right hand glass plate forward in its slot until it just touches the inside front glass plate (Figure 45).

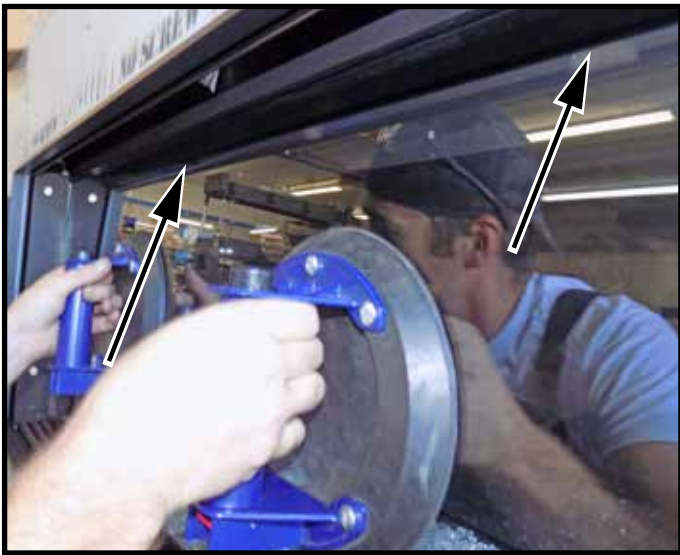


Figure 43: Raising top edge into the inner upper slot.

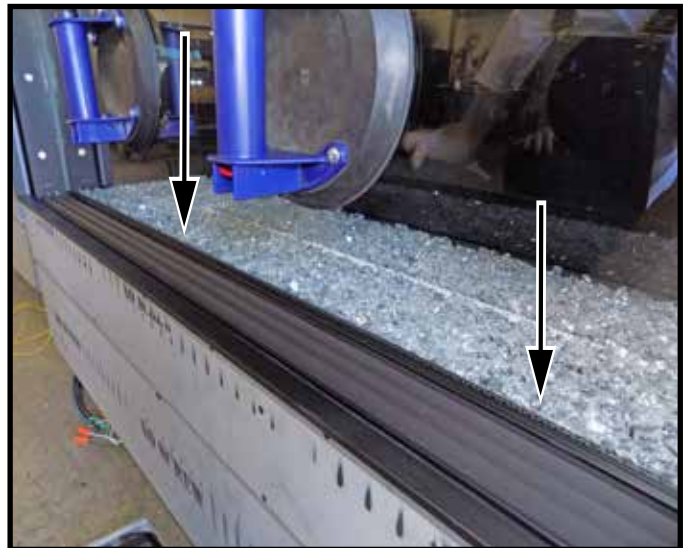


Figure 44: Lower the inside front plate into its slot.

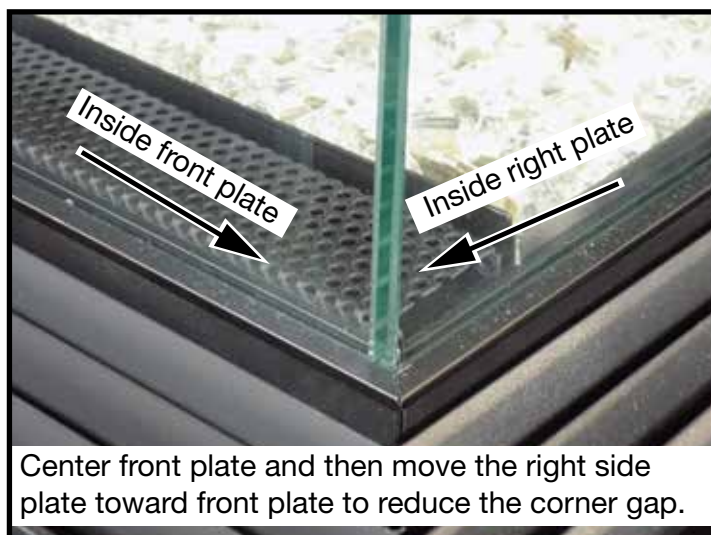


Figure 45: Final position of inside glass plates.

Inside securing plates installation

There are two identical securing plates which will mount between the inner and outer front and side glass plates (Figure 46)

1. Install the inside securing plates into the slots at each end of the fireplace opening and lift up until they make contact with the magnets which will hold them in place (Figure 47). Keep the flared edges of the securing plates up against the inside front and side glass plates and gently push them until the securing plates make contact with the inner glass plates. This will ensure that the inner glass plates do not vibrate because of the airflow inside the fireplace (Figure 48).

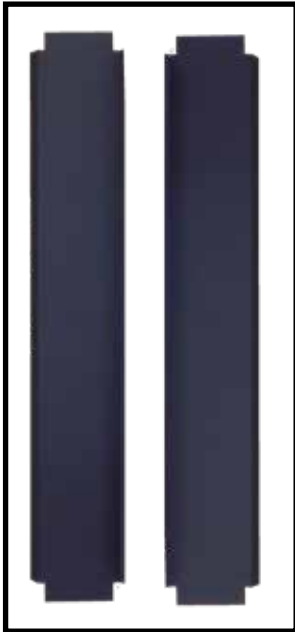


Figure 46: Inside securing plates.

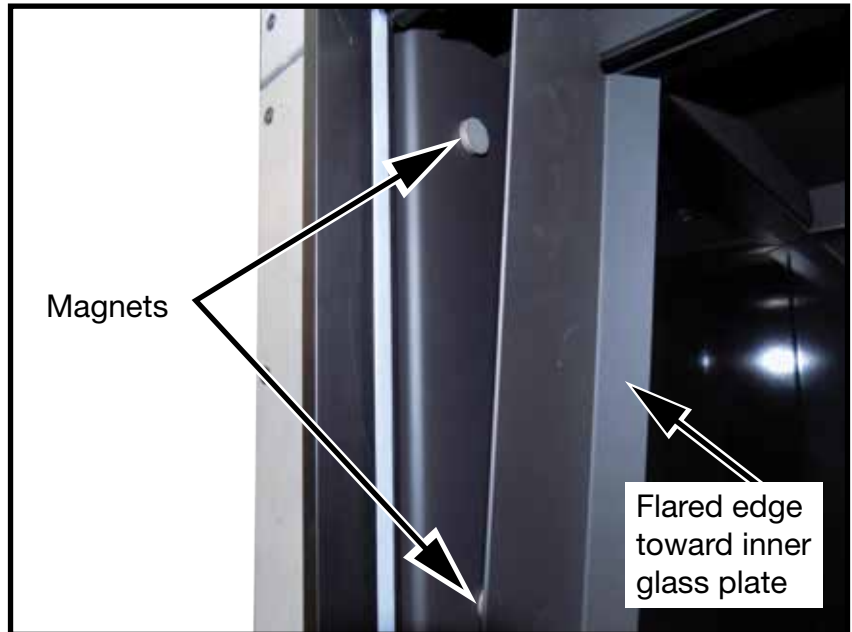


Figure 47: Left side securing plate installation.



Figure 48: Position securing plate up against the inside glass plate.



Figure 49: Installing outside right hand side plate.



Figure 50: Lowering outside right hand side plate.

Outside glass plates installation

Two plates of glass make up the outside set, one small side pane which is installed first followed by the large outside plate. To install:

1. Using a glass suction handle, lift the top edge of the small glass side plate into the narrow channel at the top edge of the trim (Figure 49).
2. Lower the plate to a vertical position, and lower the plate into the bottom channel (Figure 50). Once the plate is in the lower channel, shift it toward the rear wall - as was done with the inside side plate (See Figure 41 on page 36) so as to create enough room so that when the large outside front plate is installed it does not come into contact with the smaller side plate.
3. Install the large outside front glass plate (Figure 51) as was done with the inside plate
4. The outside side plate can now be brought closer to the front pane so that their edges just touch.



Figure 51:
Installing the inside front glass plate.

Electrical Connection

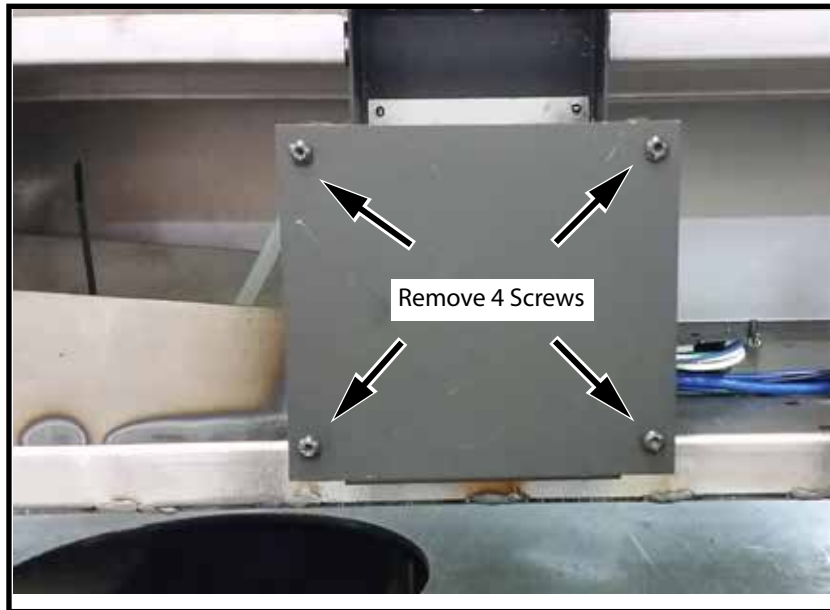


Figure 52: Electrical connection panel removed exposing connection box.

Power to this unit is 120VAC. The electrical connection boxes are located behind a removable panel that runs the length of the lower side of the appliance. After the panel is removed, the electrical connection box cover can be removed to access the wiring (Figure 52). Once wiring is completed, power will be supplied to both the power vent and the main unit control module. The Blower Control wiring and the optional motorized dampers wiring is located behind a removable panel in the second connection box (Figure 52). There will be a pair of wires for the appropriate number of dampers specified for the appliance (Figure 54) and a pair of wires for the Blower Control. Low voltage wiring can be used for connecting the dampers. The CAT5e cable is located here as well. Connect the Cat5e cable to the control panel. Ensure the wiring strain relief clamps are snug and secure.

Re-attach the box covers, followed by the compartment panel when all wiring is complete. Use aluminum tape to seal all seams of the compartment panel before attaching facing material.

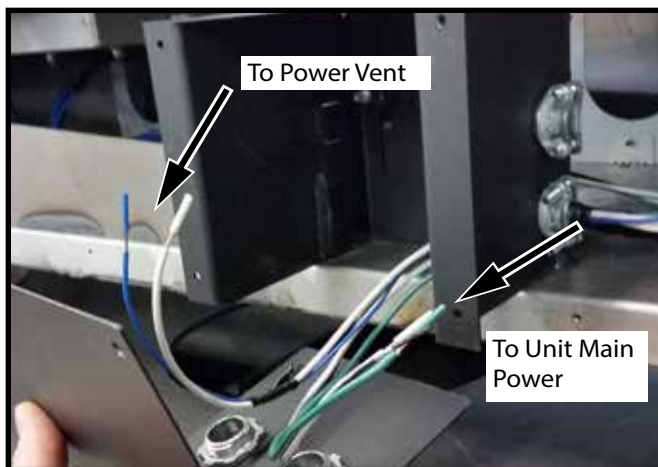


Figure 53: Inside of electrical connection box.

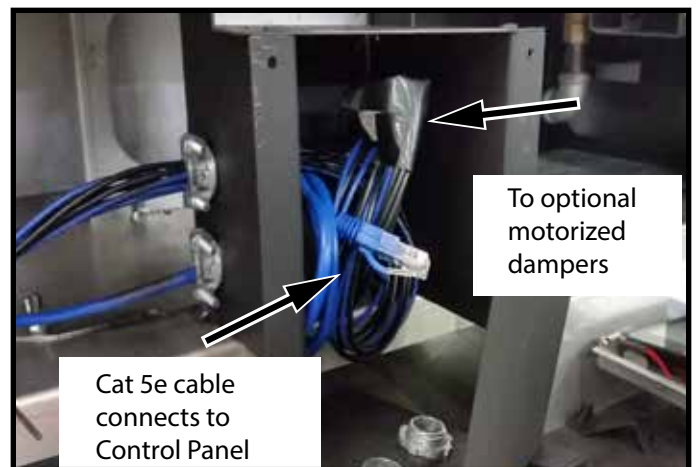


Figure 54: Motorized damper electrical connections.

Electrical Diagram

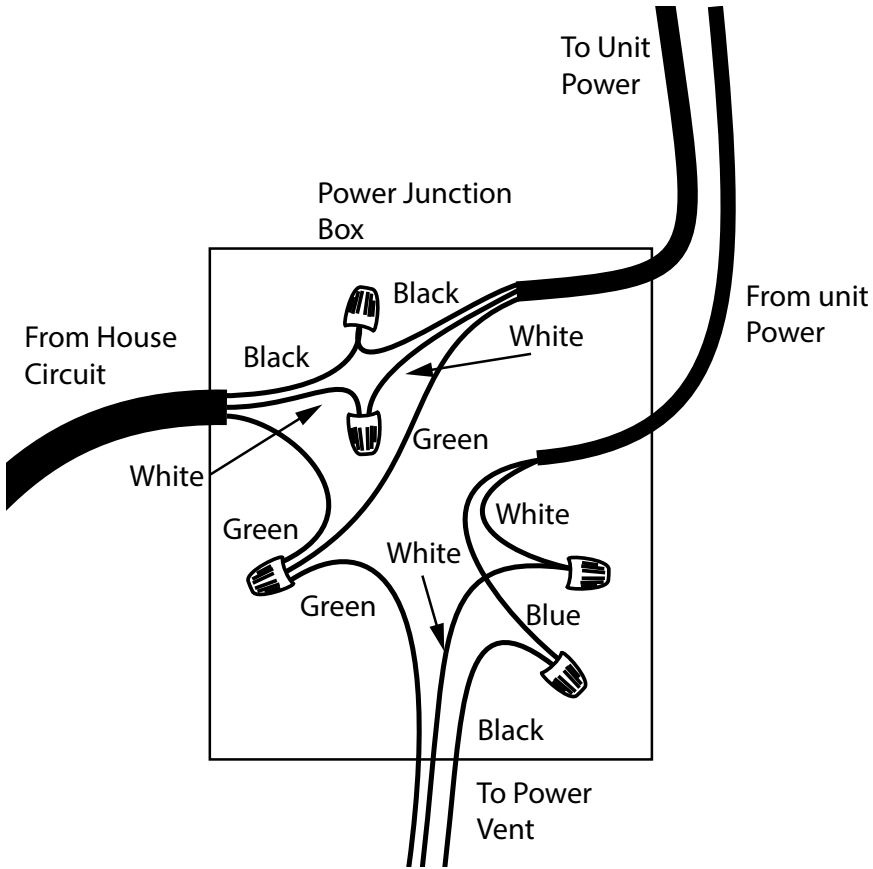


Figure 55: Wiring at fireplace - power.

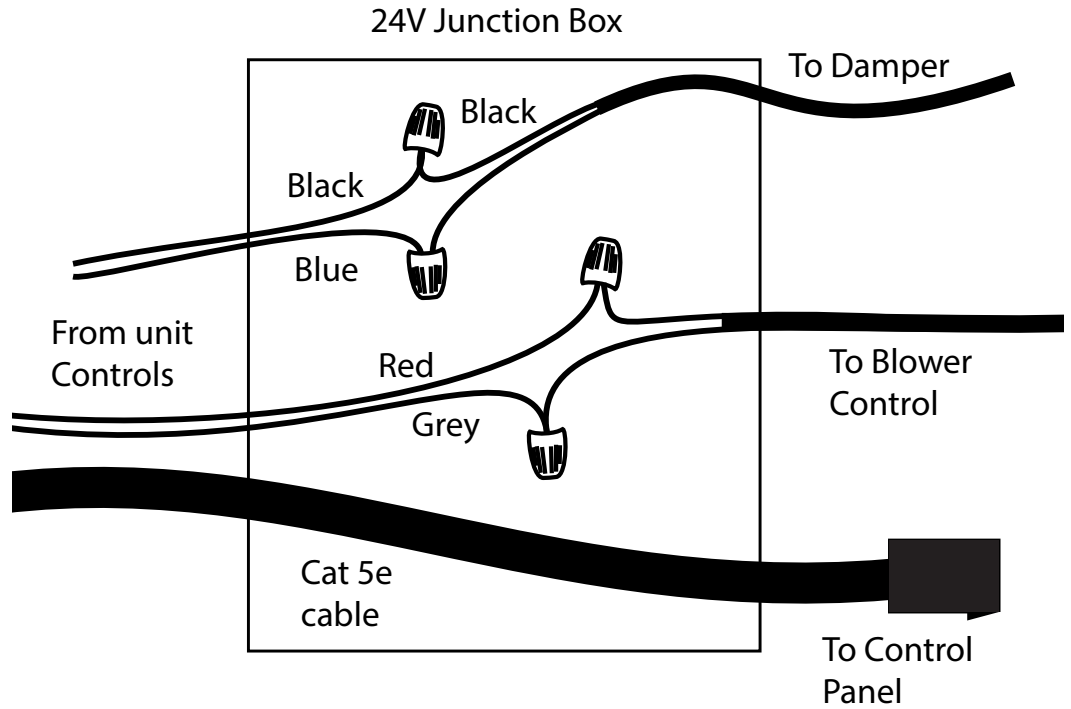


Figure 56: Wiring at fireplace - Dampers and controls.



Control Panel Installation

Please refer to the instructions included with your controls for installation.

NOTE: The CAT5e cable has a maximum length of 50 feet and so the touch pad must be installed within this distance.

NOTE: Make sure that the ON/OFF switch is in the ON position before mounting the touch pad in its frame.

NOTE: Make sure that the AC power to this appliance is turned off before installing or servicing the touch pad.

LED Strip Replacement

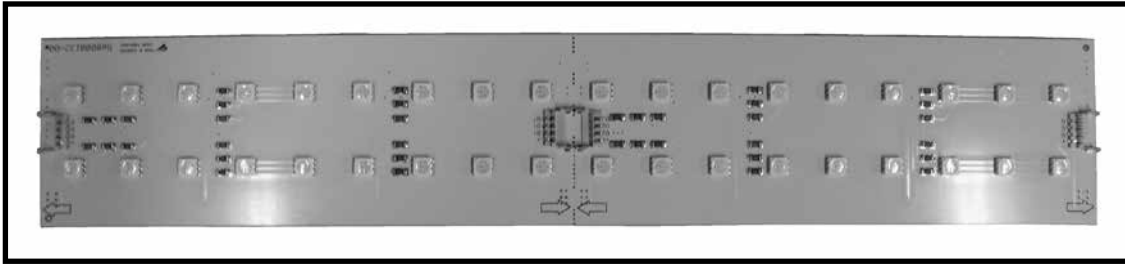


Figure 57: Individual LED section.

There are two rows of LED lights in this fire feature, one row on each side of the burner. Each row of LED lights is made of individual LED sections (Figure 57) which can be joined together using bridge connectors to achieve the desired row length (Figure 58). Each row of sections also has its own main electrical connector (Figure 59).

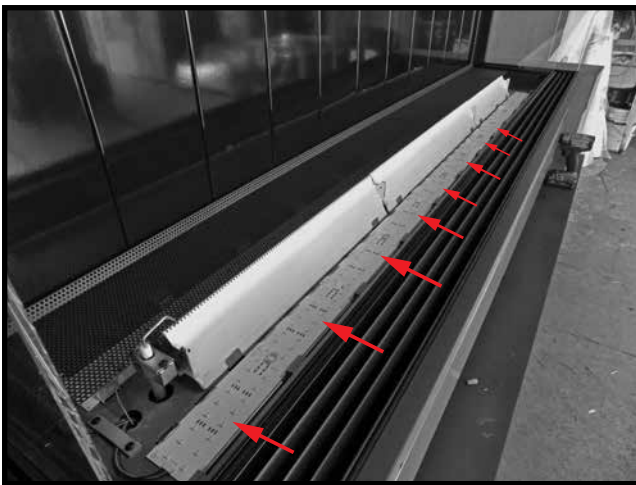


Figure 58: LED individual sections joined together.

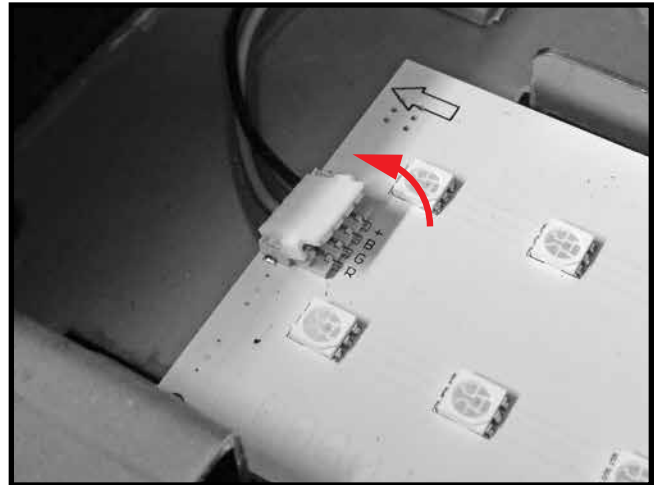


Figure 59: LED connector.

Removing an LED section

1. To remove an individual LED section or sections, begin by disconnecting the main power to the fire feature at the main circuit breaker. Give time for the unit to cool down.
2. Remove the inner and outer glass plates.
3. Remove the glass media and the burner tray.
4. Remove the bridge connector of the LED section(s) to be replaced (Figure 60). These connector tabs lift up much like the main electrical connector (Figure 59). In this way, individual LED sections can be replaced without removing the entire row of LED sections from the fire feature.
5. The LED sections and rows are held in place by hold down tabs (Figure 61). These tabs can be lifted up so that the LED section can be removed.

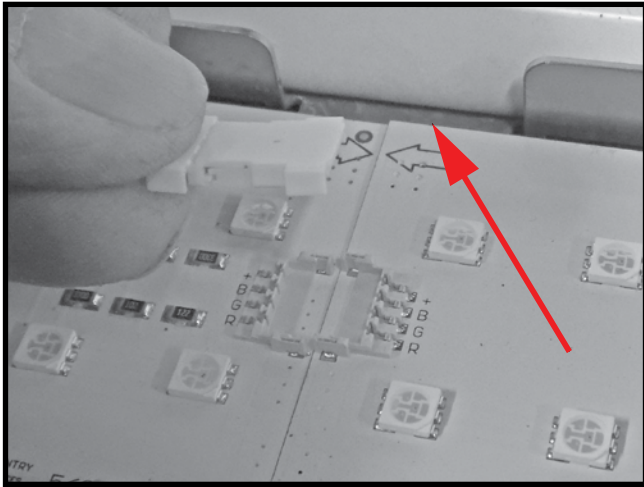


Figure 60: LED strip bridge connector.

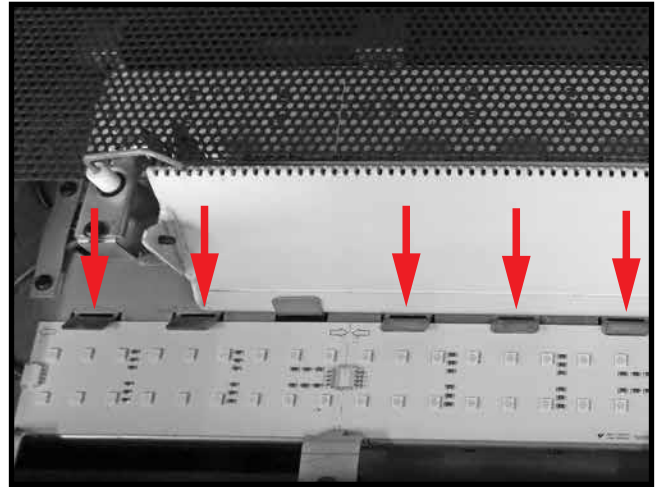


Figure 61: LED strip hold down tabs.

- When removing an individual LED section, lift up the side of the LED section next to the tabs that were just moved upwards and then remove the LED section (Figure 62).

NOTE: When replacing an LED section, make sure that the arrows on the sections meet as shown in Figure 63. Whether joining full sized sections to other full sized sections, or when joining a full sized section to a short section, the arrows must meet each other. As you stand in front of the fire feature, the arrows will be located on the sides of the sections furthest away from you.

- Reconnect the individual LED sections using a bridge connector as shown in (Figure 60).



Figure 62: LED strip removal.

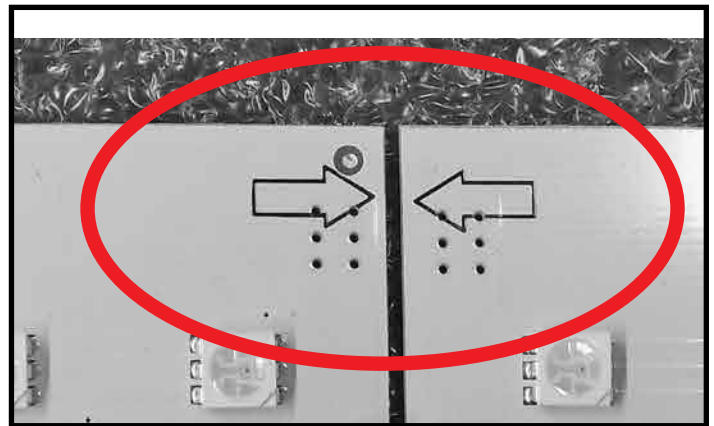


Figure 63: Arrows always meet.

- Reconnect the main electrical connector as shown in Figure 59.
- Return the glass tray(s), glass media and glass panels to their original positions.

Natural Gas

Gas pressure requirements	
<u>Input Pressure</u>	Natural Gas
Minimum	5.0" IN/WC (1.24 kPa)
Maximum	7.0" IN/WC (1.74 kPa)
<u>Manifold Pressure</u>	
Maximum	3.5" IN/WC (0.87 kPa)

Liquid Propane Gas

Gas pressure requirements	
<u>Input Pressure</u>	Liquid Propane Gas
Minimum	12.5" IN/WC (3.11 kPa)
Maximum	13.9" IN/WC (3.45 kPa)
<u>Manifold Pressure</u>	
Maximum	11.0" IN/WC (2.73 kPa)



Lighting Instructions

FOR YOUR SAFETY READ BEFORE LIGHTING

Warning: If you do not follow these instructions exactly, a fire or explosion may result causing property damage, personal injury or loss of life.

A. **BEFORE LIGHTING:** smell all around the appliance area for gas. Be sure to smell next to the floor because some gas is heavier than air and will settle on the floor.

WHAT TO DO IF YOU SMELL GAS:

- Do not try to light any appliance.
- Do not touch any electrical switch; do not use any phone in your building.
- Immediately call your gas supplier from a neighbour's phone. Follow the supplier's instructions.
- If you cannot reach your gas supplier, call the fire department.

B. Do not use this appliance if any part has been under water. Immediately call a qualified service technician to inspect the appliance & to replace any part of the control system & any gas control which has been under water.

LIGHTING INSTRUCTIONS

1. STOP! Read the safety information above this label.
2. Move switch to "ON" position (unit will purge for 10 seconds)
3. The appliance will try igniting 3 times. If the appliance fails to ignite, the control will lock out.
4. Call your service technician or retailer to rectify the issue.

TO TURN OFF GAS APPLIANCE

1. Move switch to the "OFF" position (unit will post-purge for 15 seconds).
2. Turn off all electrical power to the appliance if service is to be performed or for extended shutdown.

CAUTION: Hot while in operation. Do not touch. Severe burns may result. Keep children, clothing, furniture, gasoline and other liquids having flammable vapours away. Keep burner and control compartments clean. See installation and operating instructions accompanying the appliance.

ATTENTION: L'appareil est chaud lorsqu'il fonctionne. Ne pas toucher l'appareil. Risque de brûlures graves. Surveiller les enfants. Garder les vêtements, le meubles, l'essence ou autres liquides produisant des vapeurs inflammables loin de l'appareil. S'assurer que le brûleur et le compartiment des commandes sont propres. Voir les instructions d'installation et d'utilisation qui accompagnent l'appareil.

Maintenance

CAUTION:

Turn off gas and electrical power supply (if applicable) and allow ample time for unit to cool before servicing appliance. It is recommended that the fire feature and its venting be inspected at least once a year by a qualified service person.

GLASS PANEL:

Warning: Do not operate fire feature with glass panel removed, cracked or broken. Replacement of the glass panel should be done by a licensed or qualified service person.

Do not strike or otherwise impact the glass in anyway that may cause it to break. If the glass becomes cracked or broken it must be replaced before using the fire feature. Replacement glass can be obtained from your nearest Town & Country Fireplaces dealer.

ANNUAL INSPECTION:

- a) Remove glass panel and inspect the Burner and Igniter for soot build up. If excessive build up of soot is present, have a qualified service person inspect and adjust the unit for proper combustion.
- b) Check that the venting pipe and venting terminal are open and free from blockage or debris. If the venting is disassembled for cleaning, it must be properly assembled and re-sealed. Refer to VENTING section for proper procedure.

Note: The appliance area must be kept clear and free from combustible materials, gasoline and other flammable vapours and liquids.

Periodically:

- a) Viewing glass may be cleaned as necessary with fireplace glass cleaner.

CAUTION:

Do not use abrasive cleaners on glass or any other part of the fire feature.

Do not clean glass when hot.



Replaceable Parts

ITEM No.	ITEM DESCRIPTION
80001338	Switch Vacuum, .6" WC, Pellet / Architectural
80002698	Touch Screen Display, Control Ver. 1.5 B, Architectural
80002335	Burner Media, Non Reflective Glass, Ice, 4LB, Architectural
80002367	Valve assembly with transducer / fittings, Architectural
80002368	Pressure transducer, Architectural
80002369	Ignition Module, Helifire / Architectural
80002370	Transformer 24 volt, Architectural
80002371	Transformer 12 volt, Architectural
80002372	LED board short, Architectural
80002373	LED board long, Architectural
80002374	Suction cup, Architectural
80002379	Toggle switch, Architectural

Rating Labels



TOWN & COUNTRY
FIREPLACES™

MODEL/ MODELE: ■
3FT ARCHITECTURAL
SERIES

SERIES/ SERIE: A

MADE IN CANADA
FABRIQUE AU CANADA

**VENTED GAS FIREPLACE - NOT FOR USE WITH SOLID FUEL
FOYER AU GAZ À ÉVACUATION - NE PAS UTILISER AVEC DU
COMBUSTIBLE SOLIDE**

723

**THIS IS A DECORATIVE PRODUCT AND IS NOT INTENDED
TO BE USED AS A HEATING APPLIANCE.**

P.4.1-15 Efficiency: 9.9%

ANSI Z21.50 / CSA 2.22 (2016) Vented Decorative Gas Appliance.
Certified for / Certifié pour Canada and U.S.A.

This Appliance is Equipped For Use With / Cet Appareil est Équipé Pour Utiliser Avec :		
NATURAL GAS / DU GAZ NATUREL	■	L.P. GAS / DU GAZ L.P.
FOR USE WITH/ EN CASE D'EMPLOI AVEC:	NATURAL GAS/ DU GAZ NATUREL	L.P GAS/ DU GAZ L.P.
Minimum supply pressure / Pression minimum d'alimentation: (For the purpose of input adjustment / dans le but de régler l'alimentation)	5.0 in/wc / 5.0 po/c.e. (1.24 kPa)	12.5 in/wc / 12.5 po/c.e. (3.11 kPa)
Maximum supply pressure / Pression maximum d'alimentation:	7.0 in/wc / 7.0 po/c.e. (1.74 kPa)	13.9 in/wc / 13.9 po/c.e. (3.45 kPa)
Manifold pressure / Pression de la tuyauterie: Maximum	3.50 in/wc / 3.50 po/c.e. (0.87 kPa)	11.0 in/wc / 13.9 po/c.e. (2.73 kPa)
Orifice Size / Diametre de l'injecteur:	NA X2	LA X2
Input BTU/hr (kW) / Entree BTU/h (kW):	Max.: 48,000 (14.06)	Max.: 48,000 (14.06)

Blower electrical rating: 115v, 60hz, 5.9 A / Normes electriques du ventilateur: 115v, 60hz, 5.9 A

This appliance equipped for altitudes 0 - 4500 ft. (0 - 1371.6 m) / Cet unité est conçu pour des altitudes variant entre 0 - 4500 pieds (0 - 1371.6 m). In Canada, also certified for installation in a bedroom or a bedsitting room / Aussi certifié pour installation dans une chambre à coucher ou une salle de séjour. This appliance must be installed in accordance with local codes, if any; if none, follow the current CAN/CGA-B149 (Canada), or ANSI Z223.1 (USA) Installation Codes. Installer l'appareil selon les codes ou règlements locaux, ou, en l'absence de tels règlements, selon les codes d'installation CAN/CGA-B149 (Canada), or ANSI Z223.1 (USA) en vigueur.

MANUFACTURED (MOBILE) HOME: This appliance is only for use with the type of gas indicated on the rating plate and may be installed in an aftermarket, permanently located, manufactured (mobile) home where not prohibited by local codes. See owners manual for details.
FABRIQUEZ (MOBILE) MAISON: Cet appareil doit être utilisé uniquement avec le type de gaz indiqué sur la plaque signalétique et peut être installé dans une maison préfabriquée (mobile) installée à demeure si les règlements locaux le permettent. Voir la notice du propriétaire pour plus de détails. Cet appareil ne peut être converti à d'autres gaz sauf si une trousse de conversion certifiée est utilisée.
Install in accordance with the current standard Mobile Homes, CAN/CSA Z240 MH (in CANADA), and the Manufacturer's Home Construction and Safety Standard, Title 24 CFR, Part 3280, or the current Standard for Fire Safety Criteria for Manufactured Home Installations, Sites, and Communities ANSI/NFPA 501A, (in the U.S.A.). Cet appareil doit être installé conformément aux exigences de la norme CAN/CSA Z240 MH en vigueur de l'ACNOR, Installations de gaz dans les Constructions Mobiles.

**FOR USE WITH THE GLASS CERTIFIED WITH THE APPLIANCE ONLY / POUR UTILISATION UNIQUEMENT AVEC LES PORTES IN VERRE
CERTIFIÉES AVEC L'APPAREIL**

MINIMUM CLEARANCES TO COMBUSTIBLES / CLAIRANCES MINIMALES AVEC LES COMBUSTIBLE
Left and Right side are determined when facing the front of the appliance. / Les côtés droit et gauche se déterminent en se mettant devant l'appareil et en lui faisant face.

Top, Back and Side Standoffs / Sommet, Arrière et Côté Butée	0 in./ 0 po.	(0 mm)
Sidewall to Appliance / Du mur latéral à l'appareil	0 in./ 0 po.	(0 mm)
Ceiling to Appliance / Plafond à l'appareil	0 in./ 0 po.	(0 mm)
Mantel to Appliance / Du manteau à l'appareil	0 in./ 0 po.	(0 mm)
Maximum Mantel Extension / Allongement maximum du manteau	0 in./ 0 po.	(0 mm)
*See Installation Manual for more detail / Voyez des Directive de l'Installation pour plus détails.		
Mantel Supports / Supports du manteau	0 in./ 0 po.	(0 mm)
Vent Pipe / Décharge le Tuyau	0 in./ 0 po.	(0 mm)

WARNING: Improper installation, adjustment, alteration, service or maintenance can cause injury or property damage. Refer to the owner's information manual provided with this appliance. For assistance or additional information, consult a qualified installer, service agency or the gas supplier.

AVERTISSEMENT: Une installation, un réglage, une modification, une réparation ou un entretien mal effectué peut causer des dommages matériels ou des blessures. Voir la notice de l'utilisateur qui accompagne l'appareil. Pour de l'aide ou des renseignements supplémentaires, consultez un installateur, un technicien agréé ou le fournisseur de gaz.

101218

568000065

3FT Architectural Series

Pacific Energy
Fireplace Products Ltd.
Duncan, British Columbia,
Canada

DATE OF MANUFACTURE				
JAN	FEB	MAR	APR	2018
MAY	JUN	JUL	AUG	2019
SEP	OCT	NOV	DEC	2020





**VENTED GAS FIREPLACE - NOT FOR USE WITH SOLID FUEL
FOYER AU GAZ À ÉVACUATION - NE PAS UTILISER AVEC DU
COMBUSTIBLE SOLIDE**

724

**THIS IS A DECORATIVE PRODUCT AND IS NOT INTENDED
TO BE USED AS A HEATING APPLIANCE.**

P.4.1-15 Efficiency: 11.4%

TOWN & COUNTRY
FIREPLACES™

ANSI Z21.50 / CSA 2.22 (2016) Vented Decorative Gas Appliance.
Certified for / Certifié pour Canada and U.S.A.

This Appliance is Equipped For Use With /
Cet Appareil est Équipé Pour Utiliser Avec :
NATURAL GAS / DU GAZ NATUREL ■ **L.P. GAS / DU GAZ L.P.**

MODEL/
MODELE: ■

4FT ARCHITECTURAL
SERIES

SERIES/
SERIE: **A**

MADE IN CANADA
FABRIQUE AU CANADA

FOR USE WITH/ EN CASE D'EMPLOI AVEC:	NATURAL GAS/ DU GAZ NATUREL	L.P GAS/ DU GAZ L.P.
Minimum supply pressure / Pression minimum d'alimentation: <small>(For the purpose of input adjustment / dans le but de régler l'alimentation)</small> Maximum supply pressure / Pression maximum d'alimentation:	5.0 in/wc / 5.0 po/c.e. (1.24 kPa) 7.0 in/wc / 7.0 po/c.e. (1.74 kPa)	12.5 in/wc / 12.5 po/c.e. (3.11 kPa) 13.9 in/wc / 13.9 po/c.e. (3.45 kPa)
Manifold pressure / Pression de la tuyauterie: Maximum	3.50 in/wc / 3.50 po/c.e. (0.87 kPa)	11.0 in/wc / 13.9 po/c.e. (2.73 kPa)
Orifice Size / Diametre de l'injecteur:	NB X2	LB X2
Input BTU/hr (kW) / Entree BTU/h (kW):	Max.: 64,000 (18.75)	Max.: 64,000 (18.75)

Blower electrical rating: 115v, 60hz, 5.9 A / Normes electriques du ventilateur: 115v, 60hz, 5.9 A
This appliance equipped for altitudes 0 - 4500 ft. (0 - 1371.6 m) / Cet unité est conçu pour des altitudes variant entre 0 - 4500 pieds (0 - 1371.6 m). In Canada, also certified for installation in a bedroom or a bed sitting room / Aussi certifié pour installation dans une chambre à coucher ou une salle de séjour. This appliance must be installed in accordance with local codes, if any; if none, follow the current CAN/CGA-B149 (Canada), or ANSI Z223.1 (USA) Installation Codes. Installer l'appareil selon les codes ou règlements locaux, ou, en l'absence de tels règlements, selon les codes d'installation CAN/CGA-B149 (Canada), or ANSI Z223.1 (USA) en vigueur.

MANUFACTURED (MOBILE) HOME: This appliance is only for use with the type of gas indicated on the rating plate and may be installed in an aftermarket, permanently located, manufactured (mobile) home where not prohibited by local codes. See owners manual for details.
FABRIQUEZ (MOBILE) MAISON: Cet appareil doit être utilisé uniquement avec le type de gaz indiqué sur la plaque signalétique et peut être installé dans une maison préfabriquée (mobile) installée à demeure si les règlements locaux le permettent. Voir la notice du propriétaire pour plus de détails. Cet appareil ne peut être converti à d'autres gaz sauf si une trousse de conversion certifiée est utilisée.
Install in accordance with the current standard Mobile Homes, CAN/CSA Z240 MH (in CANADA), and the Manufacturer's Home Construction and Safety Standard, Title 24 CFR, Part 3280, or the current Standard for Fire Safety Criteria for Manufactured Home Installations, Sites, and Communities ANSI/NFPA 501A, (in the U.S.A.). Cet appareil doit être installé conformément aux exigences de la norme CAN/CSA Z240 MH en vigueur de l'ACNOR, Installations de gaz dans les Constructions Mobiles.

FOR USE WITH THE GLASS CERTIFIED WITH THE APPLIANCE ONLY / POUR UTILISATION UNIQUEMENT AVEC LES PORTES IN VERRE
CERTIFIÉES AVEC L'APPAREIL

Pacific Energy
Fireplace Products Ltd.
Duncan, British Columbia,
Canada

MINIMUM CLEARANCES TO COMBUSTIBLES / CLAIRANCES MINIMALES AVEC LES COMBUSTIBLE		
Left and Right side are determined when facing the front of the appliance. / Les côtés droit et gauche se déterminent en se mettant devant l'appareil et en lui faisant face.		
Top, Back and Side Standoffs / Sommet, Arrière et Côté Butée	0 in./ 0 po.	(0 mm)
Sidewall to Appliance / Du mur latéral à l'appareil	0 in./ 0 po.	(0 mm)
Ceiling to Appliance / Plafond à l'appareil	0 in./ 0 po.	(0 mm)
Mantel to Appliance / Du manteau à l'appareil	0 in./ 0 po.	(0 mm)
Maximum Mantel Extension / Allongement maximum du manteau	0 in./ 0 po.	(0 mm)
*See Installation Manual for more detail / Voyez des Directive de l'Installation pour plus détails.		
Mantel Supports / Supports du manteau	0 in./ 0 po.	(0 mm)
Vent Pipe / Déchargez le Tuyau	0 in./ 0 po.	(0 mm)

DATE OF MANUFACTURE				
JAN	FEB	MAR	APR	2018
MAY	JUN	JUL	AUG	2019
SEP	OCT	NOV	DEC	2020

WARNING: Improper installation, adjustment, alteration, service or maintenance can cause injury or property damage. Refer to the owner's information manual provided with this appliance. For assistance or additional information, consult a qualified installer, service agency or the gas supplier.
AVERTISSEMENT: Une installation, un réglage, une modification, une réparation ou un entretien mal effectué peut causer des dommages matériels ou des blessures. Voir la notice de l'utilisateur qui accompagne l'appareil. Pour de l'aide ou des renseignements supplémentaires, consultez un installateur, un technicien agréé ou le fournisseur de gaz.

101218

568000066

4FT Architectural Series



TOWN & COUNTRY
FIREPLACES™

MODEL /
MODELE: ■
5FT ARCHITECTURAL
SERIES

SERIES /
SERIE: A

MADE IN CANADA
FABRIQUE AU CANADA

**VENTED GAS FIREPLACE - NOT FOR USE WITH SOLID FUEL
FOYER AU GAZ À ÉVACUATION - NE PAS UTILISER AVEC DU
COMBUSTIBLE SOLIDE**

725

**THIS IS A DECORATIVE PRODUCT AND IS NOT INTENDED
TO BE USED AS A HEATING APPLIANCE.**

P.4.1-15 Efficiency: 12.8%

ANSI Z21.50 / CSA 2.22 (2016) Vented Decorative Gas Appliance.

Certified for / Certifié pour Canada and U.S.A.

This Appliance is Equipped For Use With /
Cet Appareil est Équipé Pour Utiliser Avec :
NATURAL GAS / ■ **L.P. GAS /**
DU GAZ NATUREL **DU GAZ L.P.**

FOR USE WITH/ EN CASE D'EMPLOI AVEC:	NATURAL GAS/ DU GAZ NATUREL	L.P GAS/ DU GAZ L.P.
Minimum supply pressure / Pression minimum d'alimentation: (For the purpose of input adjustment / dans le but de régler l'alimentation)	5.0 in/wc / 5.0 po/c.e. (1.24 kPa)	12.5 in/wc / 12.5 po/c.e. (3.11 kPa)
Maximum supply pressure / Pression maximum d'alimentation:	7.0 in/wc / 7.0 po/c.e. (1.74 kPa)	13.9 in/wc / 13.9 po/c.e. (3.45 kPa)
Manifold pressure / Pression de la tuyauterie: Maximum	3.50 in/wc / 3.50 po/c.e. (0.87 kPa)	11.0 in/wc / 13.9 po/c.e. (2.73 kPa)
Orifice Size / Diametre de l'injecteur:	NA X2 & NB X1	LA X2 & LB X1
Input BTU/hr (kW) / Entree BTU/h (kW):	Max.: 80,000 (23.44)	Max.: 80,000 (23.44)

Blower electrical rating: 115v, 60hz, 5.9 A / Normes electriques du ventilateur: 115v, 60hz, 5.9 A

This appliance equipped for altitudes 0 - 4500 ft. (0 - 1371.6 m) / Cet unité est conçu pour des altitudes variant entre 0 - 4500 pieds (0 - 1371.6 m). In Canada, also certified for installation in a bedroom or a bedsitting room / Aussi certifié pour installation dans une chambre à coucher ou une salle de séjour. This appliance must be installed in accordance with local codes, if any; if none, follow the current CAN/CGA-B149 (Canada), or ANSI Z223.1 (USA) Installation Codes. Installer l'appareil selon les codes ou règlements locaux, ou, en l'absence de tels règlements, selon les codes d'installation CAN/CGA-B149 (Canada), or ANSI Z223.1 (USA) en vigueur.

MANUFACTURED (MOBILE) HOME: This appliance is only for use with the type of gas indicated on the rating plate and may be installed in an aftermarket, permanently located, manufactured (mobile) home where not prohibited by local codes. See owners manual for details.

FABRIQUEZ (MOBILE) MAISON: Cet appareil doit être utilisé uniquement avec le type de gaz indiqué sur la plaque signalétique et peut être installé dans une maison préfabriquée (mobile) installée à demeure si les règlements locaux le permettent. Voir la notice du propriétaire pour plus de détails. Cet appareil ne peut être converti à d'autres gaz sauf si une trousse de conversion certifiée est utilisée.

Install in accordance with the current standard Mobile Homes, CAN/CSA Z240 MH (in CANADA), and the Manufacturer's Home Construction and Safety Standard, Title 24 CFR, Part 3280, or the current Standard for Fire Safety Criteria for Manufactured Home Installations, Sites, and Communities ANSI/NFPA 501A, (in the U.S.A.). Cet appareil doit être installé conformément aux exigences de la norme CAN/CSA Z240 MH en vigueur de l'ACNOR, Installations de gaz dans les Constructions Mobiles.

**FOR USE WITH THE GLASS CERTIFIED WITH THE APPLIANCE ONLY / POUR UTILISATION UNIQUEMENT AVEC LES PORTES IN VERRE
CERTIFIÉES AVEC L'APPAREIL**

MINIMUM CLEARANCES TO COMBUSTIBLES / CLAIRANCES MINIMALES AVEC LES COMBUSTIBLE
Left and Right side are determined when facing the front of the appliance. / Les côtés droit et gauche se déterminent en se mettant devant l'appareil et en lui faisant face.

Top, Back and Side Standoffs / Sommet, Arrière et Côté Butée	0 in./ 0 po.	(0 mm)
Sidewall to Appliance / Du mur latéral a l'appareil	0 in./ 0 po.	(0 mm)
Ceiling to Appliance / Plafond a l'appareil	0 in./ 0 po.	(0 mm)
Mantel to Appliance / Du manteau al'appareil	0 in./ 0 po.	(0 mm)
Maximum Mantel Extension / Allongement maximum du manteau	0 in./ 0 po.	(0 mm)
*See Installation Manual for more detail / Voyez des Directive de l'Installation pour plus détails.		
Mantel Supports / Supports du manteau	0 in./ 0 po.	(0 mm)
Vent Pipe / Déchargez le Tuyau	0 in./ 0 po.	(0 mm)

WARNING: Improper installation, adjustment, alteration, service or maintenance can cause injury or property damage. Refer to the owner's information manual provided with this appliance. For assistance or additional information, consult a qualified installer, service agency or the gas supplier.

AVERTISSEMENT: Une installation, un réglage, une modification, une réparation ou un entretien mal effectué peut causer des dommages matériels ou des blessures. Voir la notice de l'utilisateur qui accompagne l'appareil. Pour de l'aide ou des renseignements supplémentaires, consultez un installateur, un technicien agréé ou le fournisseur de gaz.

101218

56800067

Pacific Energy
Fireplace Products Ltd.
Duncan, British Columbia,
Canada

DATE OF MANUFACTURE

JAN	FEB	MAR	APR	2018
MAY	JUN	JUL	AUG	2019
SEP	OCT	NOV	DEC	2020

5FT Architectural Series





TOWN & COUNTRY
FIREPLACES™

MODEL/
MODELE: ■

6FT ARCHITECTURAL
SERIES

SERIES/
SERIE: A

MADE IN CANADA
FABRIQUE AU CANADA

**VENTED GAS FIREPLACE - NOT FOR USE WITH SOLID FUEL
FOYER AU GAZ À ÉVACUATION - NE PAS UTILISER AVEC DU
COMBUSTIBLE SOLIDE**

**THIS IS A DECORATIVE PRODUCT AND IS NOT INTENDED
TO BE USED AS A HEATING APPLIANCE.**

726

P.4.1-15 Efficiency: 14.3%

ANSI Z21.50 / CSA 2.22 (2016) Vented Decorative Gas Appliance.
Certified for / Certifié pour Canada and U.S.A.

This Appliance is Equipped For Use With /
Cet Appareil est Équipé Pour Utiliser Avec :

NATURAL GAS / L.P. GAS /
DU GAZ NATUREL ■ DU GAZ L.P.

FOR USE WITH/ EN CASE D'EMPLOI AVEC:	NATURAL GAS/ DU GAZ NATUREL	L.P GAS/ DU GAZ L.P.
Minimum supply pressure / Pression minimum d'alimentation: (For the purpose of input adjustment / dans le but de régler l'alimentation)	5.0 in/wc / 5.0 po/c.e. (1.24 kPa)	12.5 in/wc / 12.5 po/c.e. (3.11 kPa)
Maximum supply pressure / Pression maximum d'alimentation:	7.0 in/wc / 7.0 po/c.e. (1.74 kPa)	13.9 in/wc / 13.9 po/c.e. (3.45 kPa)
Manifold pressure / Pression de la tuyauterie: Maximum	3.50 in/wc / 3.50 po/c.e. (0.87 kPa)	11.0 in/wc / 13.9 po/c.e. (2.73 kPa)
Orifice Size / Diametre de l'injecteur:	NB X3	LB X3
Input BTU/hr (kW) / Entree BTU/h (kW):	Max.: 96,000 (28.13)	Max.: 96,000 (28.13)

Blower electrical rating: 115v, 60hz, 5.9 A / Normes electriques du ventilateur: 115v, 60hz, 5.9 A

This appliance equipped for altitudes 0 - 4500 ft. (0 - 1371.6 m) / Cet unité est conçu pour des altitudes variant entre 0 - 4500 pieds (0 - 1371.6 m). In Canada, also certified for installation in a bedroom or a bedsitting room / Aussi certifié pour installation dans une chambre à coucher ou une salle de séjour. This appliance must be installed in accordance with local codes, if any; if none, follow the current CAN/CGA-B149 (Canada), or ANSI Z223.1 (USA) Installation Codes. Installer l'appareil selon les codes ou règlements locaux, ou, en l'absence de tels règlements, selon les codes d'installation CAN/CGA-B149 (Canada), or ANSI Z223.1 (USA) en vigueur.

MANUFACTURED (MOBILE) HOME: This appliance is only for use with the type of gas indicated on the rating plate and may be installed in an aftermarket, permanently located, manufactured (mobile) home where not prohibited by local codes. See owners manual for details.

FABRIQUEZ (MOBILE) MAISON: Cet appareil doit être utilisé uniquement avec le type de gaz indiqué sur la plaque signalétique et peut être installé dans une maison préfabriquée (mobile) installée à demeure si les règlements locaux le permettent. Voir la notice du propriétaire pour plus de détails. Cet appareil ne peut être converti à d'autres gaz sauf si une trousse de conversion certifiée est utilisée.

Install in accordance with the current standard Mobile Homes, CAN/CSA Z240 MH (in CANADA), and the Manufacturer's Home Construction and Safety Standard, Title 24 CFR, Part 3280, or the current Standard for Fire Safety Criteria for Manufactured Home Installations, Sites, and Communities ANSI/NFPA 501A, (in the U.S.A.). Cet appareil doit être installé conformément aux exigences de la norme CAN/CSA Z240 MH en vigueur de l'ACNOR, Installations de gaz dans les Constructions Mobiles.

FOR USE WITH THE GLASS CERTIFIED WITH THE APPLIANCE ONLY / POUR UTILISATION UNIQUEMENT AVEC LES PORTES IN VERRE
CERTIFIÉES AVEC L'APPAREIL

MINIMUM CLEARANCES TO COMBUSTIBLES / CLAIRANCES MINIMALES AVEC LES COMBUSTIBLE
Left and Right side are determined when facing the front of the appliance. / Les côtés droit et gauche se déterminent en se mettant devant l'appareil et en lui faisant face.

Top, Back and Side Standoffs / Sommet, Arrière et Côté Butée	0 in./ 0 po.	(0 mm)
Sidewall to Appliance / Du mur latéral a l'appareil	0 in./ 0 po.	(0 mm)
Ceiling to Appliance / Plafond a l'appareil	0 in./ 0 po.	(0 mm)
Mantel to Appliance / Du manteau a l'appareil	0 in./ 0 po.	(0 mm)
Maximum Mantel Extension / Allongement maximum du manteau	0 in./ 0 po.	(0 mm)
*See Installation Manual for more detail / Voyez des Directive de l'Installation pour plus détails.		
Mantel Supports / Supports du manteau	0 in./ 0 po.	(0 mm)
Vent Pipe / Déchargez le Tuyau	0 in./ 0 po.	(0 mm)

Pacific Energy
Fireplace Products Ltd.
Duncan, British Columbia,
Canada

DATE OF MANUFACTURE

JAN	FEB	MAR	APR	2018
MAY	JUN	JUL	AUG	2019
SEP	OCT	NOV	DEC	2020

WARNING: Improper installation, adjustment, alteration, service or maintenance can cause injury or property damage. Refer to the owner's information manual provided with this appliance. For assistance or additional information, consult a qualified installer, service agency or the gas supplier.

AVERTISSEMENT: Une installation, un réglage, une modification, une réparation ou un entretien mal effectué peut causer des dommages matériels ou des blessures. Voir la notice de l'utilisateur qui accompagne l'appareil. Pour de l'aide ou des renseignements supplémentaires, consultez un installateur, un technicien agréé ou le fournisseur de gaz.

101218

568000068

6FT Architectural Series



TOWN & COUNTRY
FIREPLACES™

MODEL/
MODELE: ■

7FT ARCHITECTURAL
SERIES

SERIES/
SERIE: A

MADE IN CANADA
FABRIQUE AU CANADA

**VENTED GAS FIREPLACE - NOT FOR USE WITH SOLID FUEL
FOYER AU GAZ À ÉVACUATION - NE PAS UTILISER AVEC DU
COMBUSTIBLE SOLIDE**

727

P.4.1-15 Efficiency: 15.7%

**THIS IS A DECORATIVE PRODUCT AND IS NOT INTENDED
TO BE USED AS A HEATING APPLIANCE.**

ANSI Z21.50 / CSA 2.22 (2016) Vented Decorative Gas Appliance.

Certified for / Certifié pour Canada and U.S.A.

This Appliance is Equipped For Use With /
Cet Appareil est Équipé Pour Utiliser Avec :

NATURAL GAS / L.P. GAS /
DU GAZ NATUREL ■ DU GAZ L.P.

FOR USE WITH/ EN CASE D'EMPLOI AVEC:	NATURAL GAS/ DU GAZ NATUREL	L.P GAS/ DU GAZ L.P.
Minimum supply pressure / Pression minimum d'alimentation: (For the purpose of input adjustment / dans le but de régler l'alimentation)	5.0 in/wc / 5.0 po/c.e. (1.24 kPa)	12.5 in/wc / 12.5 po/c.e. (3.11 kPa)
Maximum supply pressure / Pression maximum d'alimentation:	7.0 in/wc / 7.0 po/c.e. (1.74 kPa)	13.9 in/wc / 13.9 po/c.e. (3.45 kPa)
Manifold pressure / Pression de la tuyauterie: Maximum	3.50 in/wc / 3.50 po/c.e. (0.87 kPa)	11.0 in/wc / 13.9 po/c.e. (2.73 kPa)
Orifice Size / Diametre de l'injecteur:	NA X2 & NB X2	LA X2 & LB X2
Input BTU/hr (kW) / Entree BTU/h (kW):	Max.: 112,000 (32.82)	Max.: 112,000 (32.82)

Blower electrical rating: 115v, 60hz, 5.9 A / Normes electriques du ventilateur: 115v, 60hz, 5.9 A

This appliance equipped for altitudes 0 - 4500 ft. (0 - 1371.6 m) / Cet unité est conçu pour des altitudes variant entre 0 - 4500 pieds (0 - 1371.6 m). In Canada, also certified for installation in a bedroom or a bedsitting room / Aussi certifié pour installation dans une chambre à coucher ou une salle de séjour. This appliance must be installed in accordance with local codes, if any; if none, follow the current CAN/CGA-B149 (Canada), or ANSI Z223.1 (USA) Installation Codes. Install the appliance selon les codes ou règlements locaux, ou, en l'absence de tels règlements, selon les codes d'installation CAN/CGA-B149 (Canada), or ANSI Z223.1 (USA) en vigueur.

MANUFACTURED (MOBILE) HOME: This appliance is only for use with the type of gas indicated on the rating plate and may be installed in an aftermarket, permanently located, manufactured (mobile) home where not prohibited by local codes. See owners manual for details.

FABRIQUEZ (MOBILE) MAISON: Cet appareil doit être utilisé uniquement avec le type de gaz indiqué sur la plaque signalétique et peut être installé dans une maison préfabriquée (mobile) installée à demeure si les règlements locaux le permettent. Voir la notice du propriétaire pour plus de détails. Cet appareil ne peut être converti à d'autres gaz sauf si une trousse de conversion certifiée est utilisée.

Install in accordance with the current standard Mobile Homes, CAN/CSA Z240 MH (in CANADA), and the Manufacturer's Home Construction and Safety Standard, Title 24 CFR, Part 3280, or the current Standard for Fire Safety Criteria for Manufactured Home Installations, Sites, and Communities ANSI/NFPA 501A, (in the U.S.A.). Cet appareil doit être installé conformément aux exigences de la norme CAN/CSA Z240 MH en vigueur de l'ACNOR, Installations de gaz dans les Constructions Mobiles.

FOR USE WITH THE GLASS CERTIFIED WITH THE APPLIANCE ONLY / POUR UTILISATION UNIQUEMENT AVEC LES PORTES IN VERRE
CERTIFIÉES AVEC L'APPAREIL

MINIMUM CLEARANCES TO COMBUSTIBLES / CLAIRANCES MINIMALES AVEC LES COMBUSTIBLE

Left and Right side are determined when facing the front of the appliance. / Les côtés droit et gauche se déterminent en se mettant devant l'appareil et en lui faisant face.

Top, Back and Side Standoffs / Sommet, Arrière et Côté Butée	0 in./ 0 po.	(0 mm)
Sidewall to Appliance / Du mur latéral a l'appareil	0 in./ 0 po.	(0 mm)
Ceiling to Appliance / Plafond a l'appareil	0 in./ 0 po.	(0 mm)
Mantel to Appliance / Du manteau al'appareil	0 in./ 0 po.	(0 mm)
Maximum Mantel Extension / Allongement maximum du manteau	0 in./ 0 po.	(0 mm)
*See Installation Manual for more detail / Voyez des Directive de l'Installation pour plus détails.		
Mantel Supports / Supports du manteau	0 in./ 0 po.	(0 mm)
Vent Pipe / Déchargez le Tuyau	0 in./ 0 po.	(0 mm)

WARNING: Improper installation, adjustment, alteration, service or maintenance can cause injury or property damage. Refer to the owner's information manual provided with this appliance. For assistance or additional information, consult a qualified installer, service agency or the gas supplier.

AVERTISSEMENT: Une installation, un réglage, une modification, une réparation ou un entretien mal effectué peut causer des dommages matériels ou des blessures. Voir la notice de l'utilisateur qui accompagne l'appareil. Pour de l'aide ou des renseignements supplémentaires, consultez un installateur, un technicien agréé ou le fournisseur de gaz.

101218

568000069

Pacific Energy
Fireplace Products Ltd.
Duncan, British Columbia,
Canada

DATE OF MANUFACTURE

JAN	FEB	MAR	APR	2018
MAY	JUN	JUL	AUG	2019
SEP	OCT	NOV	DEC	2020

7FT Architectural Series





TOWN & COUNTRY
FIREPLACES™

MODEL/
MODELE: ■

8FT ARCHITECTURAL
SERIES

SERIES/
SERIE: A

MADE IN CANADA
FABRIQUE AU CANADA

**VENTED GAS FIREPLACE - NOT FOR USE WITH SOLID FUEL
FOYER AU GAZ À ÉVACUATION - NE PAS UTILISER AVEC DU
COMBUSTIBLE SOLIDE**

728

P.4.1-15 Efficiency: 17.2%

**THIS IS A DECORATIVE PRODUCT AND IS NOT INTENDED
TO BE USED AS A HEATING APPLIANCE.**

ANSI Z21.50 / CSA 2.22 (2016) Vented Decorative Gas Appliance.
Certified for / Certifié pour Canada and U.S.A.

This Appliance is Equipped For Use With /
Cet Appareil est Équipé Pour Utiliser Avec :

NATURAL GAS / L.P. GAS /
DU GAZ NATUREL ■ DU GAZ L.P.

FOR USE WITH/ EN CASE D'EMPLOI AVEC:	NATURAL GAS/ DU GAZ NATUREL	L.P GAS/ DU GAZ L.P.
Minimum supply pressure / Pression minimum d'alimentation: (For the purpose of input adjustment / dans le but de régler l'alimentation)	5.0 in/wc / 5.0 po/c.e. (1.24 kPa)	12.5 in/wc / 12.5 po/c.e. (3.11 kPa)
Maximum supply pressure / Pression maximum d'alimentation:	7.0 in/wc / 7.0 po/c.e. (1.74 kPa)	13.9 in/wc / 13.9 po/c.e. (3.45 kPa)
Manifold pressure / Pression de la tuyauterie: Maximum	3.50 in/wc / 3.50 po/c.e. (0.87 kPa)	11.0 in/wc / 13.9 po/c.e. (2.73 kPa)
Orifice Size / Diametre de l'injecteur:	NB X4	LB X4
Input BTU/hr (kW) / Entree BTU/h (kW):	Max.: 128,000 (37.51)	Max.: 128,000 (37.51)

Blower electrical rating: 115v, 60hz, 5.9 A / Normes electriques du ventilateur: 115v, 60hz, 5.9 A
This appliance equipped for altitudes 0 - 4500 ft. (0 - 1371.6 m) / Cet unité est conçu pour des altitudes variant entre 0 - 4500 pieds (0 - 1371.6 m). In Canada, also certified for installation in a bedroom or a bedsitting room / Aussi certifié pour installation dans une chambre à coucher ou une salle de séjour. This appliance must be installed in accordance with local codes, if any; if none, follow the current CAN/CGA-B149 (Canada), or ANSI Z223.1 (USA) Installation Codes. Installer l'appareil selon les codes ou règlements locaux, ou, en l'absence de tels règlements, selon les codes d'installation CAN/CGA-B149 (Canada), or ANSI Z223.1 (USA) en vigueur.

MANUFACTURED (MOBILE) HOME: This appliance is only for use with the type of gas indicated on the rating plate and may be installed in an aftermarket, permanently located, manufactured (mobile) home where not prohibited by local codes. See owners manual for details.
FABRIQUEZ (MOBILE) MAISON: Cet appareil doit être utilisé uniquement avec le type de gaz indiqué sur la plaque signalétique et peut être installé dans une maison préfabriquée (mobile) installée à demeure si les règlements locaux le permettent. Voir la notice du propriétaire pour plus de détails. Cet appareil ne peut être converti à d'autres gaz sauf si une trousse de conversion certifiée est utilisée.
Install in accordance with the current standard Mobile Homes, CAN/CSA Z240 MH (in CANADA), and the Manufacturer's Home Construction and Safety Standard, Title 24 CFR, Part 3280, or the current Standard for Fire Safety Criteria for Manufactured Home Installations, Sites, and Communities ANSI/NFPA 501A, (in the U.S.A.). Cet appareil doit être installé conformément aux exigences de la norme CAN/CSA Z240 MH en vigueur de l'ACNOR, Installations de gaz dans les Constructions Mobiles.
FOR USE WITH THE GLASS CERTIFIED WITH THE APPLIANCE ONLY / POUR UTILISATION UNIQUEMENT AVEC LES PORTES IN VERRE
CERTIFIÉES AVEC L'APPAREIL

Pacific Energy
Fireplace Products Ltd.
Duncan, British Columbia,
Canada

MINIMUM CLEARANCES TO COMBUSTIBLES / CLAIRANCES MINIMALES AVEC LES COMBUSTIBLE		
Left and Right side are determined when facing the front of the appliance. / Les côtés droit et gauche se déterminent en se mettant devant l'appareil et en lui faisant face.		
Top, Back and Side Standoffs / Sommet, Arrière et Côté Butée	0 in. / 0 po.	(0 mm)
Sidewall to Appliance / Du mur latéral a l'appareil	0 in. / 0 po.	(0 mm)
Ceiling to Appliance / Plafond a l'appareil	0 in. / 0 po.	(0 mm)
Mantel to Appliance / Du manteau al'appareil	0 in. / 0 po.	(0 mm)
Maximum Mantel Extension / Allongement maximum du manteau	0 in. / 0 po.	(0 mm)
*See Installation Manual for more detail / Voyez des Directive de l'Installation pour plus détails.		
Mantel Supports / Supports du manteau	0 in. / 0 po.	(0 mm)
Vent Pipe / Déchargez le Tuyau	0 in. / 0 po.	(0 mm)

DATE OF MANUFACTURE				
JAN	FEB	MAR	APR	2018
MAY	JUN	JUL	AUG	2019
SEP	OCT	NOV	DEC	2020

WARNING: Improper installation, adjustment, alteration, service or maintenance can cause injury or property damage. Refer to the owner's information manual provided with this appliance. For assistance or additional information, consult a qualified installer, service agency or the gas supplier.
AVERTISSEMENT: Une installation, un réglage, une modification, une réparation ou un entretien mal effectué peut causer des dommages matériels ou des blessures. Voir la notice de l'utilisateur qui accompagne l'appareil. Pour de l'aide ou des renseignements supplémentaires, consultez un installateur, un technicien agréé ou le fournisseur de gaz.

101218

568000070

8FT Architectural Series

Blank



© 2021 Copyright Pacific Energy Fireplace Products LTD

Reproduction, adaptation, or translation
without prior written permission is prohibited,
except as allowed under the copyright laws.



TOWN & COUNTRY
L U X U R Y F I R E P L A C E S

For technical support, contact your retailer.

**Web site: www.townandcountryfireplaces.com
2975 Allenby Rd., Duncan, BC V9L 6V8**