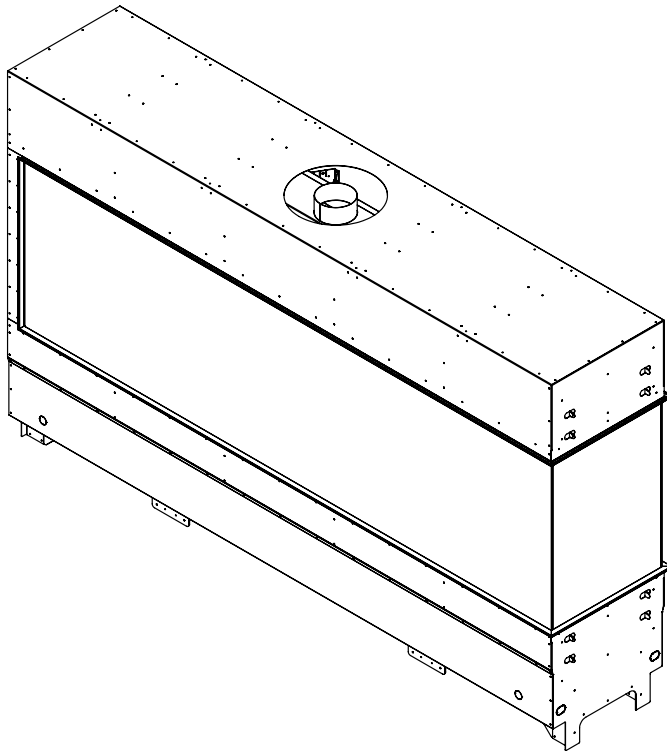


# INSTALLATION MANUAL



## PENINSULA INSTALLATION MANUAL

### FOR YOUR SAFETY

Installation and service must be performed by a qualified installer, service agency or the gas supplier.

### WHAT TO DO IF YOU SMELL GAS

- Do not try to light any appliance.
- Do not touch any electrical switch.
- Do not use any phone in your building.
- Immediately call your gas supplier from a neighbour's phone. Follow the gas supplier's instructions.
- If you cannot reach your gas supplier call the fire department.

Do not store or use gasoline or other flammable vapors and liquids in the vicinity of this or any other appliance.

This is a decorative product and is not intended to be used as a heating appliance.

This appliance is suitable for installation in a bedroom or bed sitting room.

This appliance may be installed in an aftermarket permanently located, manufactured home (USA only) or mobile home, where not prohibited by local codes.

This appliance is only for use with the type of gas indicated on the rating plate. This appliance is not convertible for use with other gases, unless a certified kit is used.

**WARNING:** If the information in these instructions is not followed exactly, a fire or explosion may result causing property damage, personal injury or death.



**INSTALLER:** Leave this manual with the appliance.  
**CONSUMER:** Retain this manual for future reference.

---

# Table of Contents

---

Table of Contents .....	2
Caution .....	3
Safety .....	3
Important Note for the Commonwealth of Massachusetts .....	4
Congratulations on your Town & Country purchase .....	5
Installation Requirements/Appliance Specifications .....	5
Installation Requirements .....	6
Vent Terminal Minimum Clearances .....	6
Minimum Clearances to Combustible Material .....	6
Appliance Dimensions .....	7
Btu Values .....	9
Minimum Clearances to Combustible Material .....	9
Locating the Unit .....	10
Upper Support for Light Framed Units .....	11
Removing Vertical Supports .....	12
Framing and Finishing .....	13
Framing.....	14
Facing Material .....	15
Venting Configuration .....	16
Venting plenum .....	16
Venting Specifications .....	17
Air Intake .....	18
Optional Motorized Damper .....	19
Power Vent .....	20
Power Vent Dimensions .....	21
Vertical Installation .....	21
Horizontal Installation .....	22
Vent Terminal Clearance .....	23
Power Vent Wiring .....	23
Flush Mount Power Vent Details .....	24
Flush Mount Power Vent Dimensions .....	24
Mounting the Flush Mount Power Vent .....	25
Minimum Clearances to Combustibles .....	25
Framing the Flush Mount Power Vent .....	26
Flush Mount Electrical Connection .....	27
Baffle Adjustment .....	28
Glass Burner Tray and Media Installation .....	29
Burner tray installation.....	29
Applying glass media.....	30
Window Frame Installation/Removal .....	31
LED Strip Replacement .....	33
Removing an LED section .....	33
Electrical Connection .....	35
Electrical Diagram .....	36
Control Panel Installation .....	37
Gas Connection .....	38
Gas Pressure Requirements .....	38
Lighting Instructions .....	39
Maintenance .....	40
GLASS PANEL: .....	40
ANNUAL INSPECTION: .....	40
Periodically: .....	40
Replaceable Parts .....	41
Rating Labels .....	42

---

## Caution

---

This appliance and its individual shut off valve must be disconnected from gas supply piping system during any pressure testing of that system at test pressures in excess of 1/2 psig (3.5 kPa).

This appliance must be isolated from the gas supply piping system by closing its individual manual shut off valve during any pressure testing of the gas supply piping system at test pressures equal to or less than 1/2 psig (3.5 kPa).

Do not use the fire feature if any part has been under water. Immediately call a qualified service technician to inspect the fire feature and to replace any part of the control system and any gas control which has been under water.

Power supply to the fireplace must be shut off before connecting or disconnecting the CAT5e cable to the touch screen/toggle switch wall receptacle. This also applies to the touch screen charging cable.



**WARNING:** This product can expose you to chemicals including ceramic fibers, which are known to the State of California to cause cancer, and carbon monoxide, which is known to the State of California to cause birth defects or other reproductive harm. For more information go to [www.P65Warnings.ca.gov](http://www.P65Warnings.ca.gov).

This warning is applicable to all  
**Pacific Energy Fireplace Products**

We recommend that our gas hearth products be installed and serviced by professionals who are certified in the United States by the National Fireplace Institute® (NFI) as NFI Gas Specialists

---

## Safety

---

Any grill, panel or door removed for servicing the unit must be replaced prior to operating. Failure to do so may create a hazardous condition.

Installation and repair should be done by a qualified service person. The appliance should be inspected before use and at least annually by a professional service person. More frequent cleaning may be required due to excessive lint from carpeting, bedding material, etc. It is imperative that control compartments, burners and circulating air passageways of the appliance be kept clean.

It is our policy that no responsibility is assumed by the Company or by any of its employees or representatives for any damages caused by an inoperable, inadequate, or unsafe condition which is the result, either directly or indirectly, of any improper operation or installation procedures.

This appliance must not be connected to a chimney flue serving a separate solid fuel burning appliance.



# — Important Note for the Commonwealth of Massachusetts —

From Massachusetts Rules and Regulations 248 CMR 5.08:

- (a) For all side wall horizontally vented gas fueled equipment installed in every dwelling, building or structure used in whole or in part for residential purposes, including those owned or operated by the Commonwealth and where the side wall exhaust vent termination is less than seven (7) feet above finished grade in the area of the venting, including but not limited to decks and porches, the following requirements shall be satisfied.
  - 1. **INSTALLATION OF CARBON MONOXIDE DETECTORS.** At the time of installation of the side wall horizontal vented gas fueled equipment, the installing plumber or gas fitter shall observe that a hard wired carbon monoxide detector with an alarm and battery back-up is installed on the floor level where the gas equipment is to be installed, in addition, the installing plumber or gas fitter shall observe that a battery operated or hard-wired carbon monoxide detector with an alarm is installed on each additional level of the dwelling, building or structure served by the side wall horizontal vented gas fueled equipment. It shall be the responsibility of the property owner to secure the services of qualified licensed professionals for the installation of hard-wired carbon monoxide detectors.
    - a. In the event that the side wall horizontally vented gas fueled equipment is installed in a crawl space or an attic, the hard-wired carbon monoxide detector with alarm and battery back-up may be installed on the next adjacent floor level.
    - b. In the event that the requirements of this subdivision cannot be met at the time of completion of installation, the owner shall have a period of thirty (30) days to comply with the above requirements; provided, however, that during said thirty (30) day period, a battery operated carbon monoxide detector with an alarm shall be installed.
  - 2. **APPROVED CARBON MONOXIDE DETECTORS.** Each carbon monoxide detector as required in accordance with the above provisions shall comply with NFPA 720 and be ANSI/UL 2034 listed as IAS certified.
  - 3. **SIGNAGE.** A metal or plastic identification plate shall be permanently mounted to the exterior of the building at a minimum height of eight (8) feet above grade directly in line with the exhaust vent terminal for the horizontally vented gas fueled heating appliance or equipment. The sign shall read, in print size no less than one-half (1/2) inch in size, "GAS VENT DIRECTLY BELOW. KEEP CLEAR OF ALL OBSTRUCTIONS"
  - 4. **INSPECTION.** The state or local gas inspector of the side wall horizontally vented gas fueled equipment shall not approve the installation unless, upon inspection, the inspector observes carbon monoxide detectors and signage installed in accordance with the provisions of 248 CMR 5.089(2) (a) 1 through 4.
- (b) **EXEMPTIONS.** The following equipment is exempt from 248 CMR 5.089(2)(a) 1 through 4.
  - 1. The equipment listed in Chapter 10 entitled "Equipment Not Required To Be Vented" in the most current edition of NFPA 54 as adopted by the Board; and
  - 2. Product Approved side wall horizontal vented gas fueled equipment installed in a room or structure separate from the dwelling, building or structure used in whole or in part for residential purposes.
- (c) **MANUFACTURER REQUIREMENTS – GAS EQUIPMENT VENTING SYSTEM PROVIDED.** When the manufacturer of Product Approved side wall horizontally vented gas equipment provides a venting system design or venting system components with the equipment, the instructions provided by the manufacturer for installation of the equipment and the venting system shall include:
  - 1. Detailed instructions for the installation of the venting system design or the venting system components; and
  - 2. A complete parts list for the venting system design or venting system.
- (d) **MANUFACTURER REQUIREMENTS – GAS EQUIPMENT VENTING SYSTEM NOT PROVIDED.** When the manufacturer of a Product Approved side wall horizontally vented gas fueled equipment does not provide the parts for venting the fuel gases, but identifies "special venting systems;" the following requirements shall be satisfied by the manufacturer.
  - 1. The referenced "special venting system" instructions shall be included with the appliance or equipment installation instructions; and
  - 2. The "special venting systems" shall be Product Approved by the Board, and the instructions for that system shall include a parts list and detailed installation instructions.
- (e) A copy of all installation instructions for all Product Approved side wall horizontally vented gas fueled equipment, all venting instructions, all parts lists for venting instructions, and/or all venting design instructions shall remain with the appliance or equipment at the completion of the installation.

# — Congratulations on your Town & Country purchase —

Your Architectural Series Zero Clearance linear appliance has been professionally installed by:

Dealer name: \_\_\_\_\_

Phone Number: \_\_\_\_\_

If you discover any problems with your linear appliance, contact your dealer immediately to have the unit repaired.

Caution: Do not attempt to repair the linear appliance because you may cause injury to yourself or others, and risk causing damage to the unit.

Before operating your linear appliance carefully read this manual and pay close attention to all Safety Warnings. The manual contains important information on the unit's safe operation and maintenance.

## — Installation Requirements/Appliance Specifications —

**Town and Country Architectural Series linear appliance.**

### **Specifications**

- This unit has been tested to ANSI Z21.50 and CSA P.4.1 specifications.
- Single wall (min. 26 ga) galvanized venting. (Zero clearance)
- 120VAC / single phase.
- 24VAC Honeywell direct ignition valve system.
- Power vented only. Programmed with pre and post-purge safety functioning. Certified to use provided Town & Country power vent only.
- Horizontal or Vertical Termination.
- Zero clearance unit (no non-combustible board required).
- Exhaust 12" Rigid or B-vent(See Local Building Codes) - 150ft max length plus up to 6 elbows. (Zero clearance)
- 7" rigid intakes - (All bottom intake models) 150ft max length plus up to 6 elbows. (Zero clearance)
- 12" or 14" rigid intakes - (All top intake models) 150ft max length plus up to 6 elbows. (Zero clearance)



## **Installation Requirements**

The fireplace installation and venting must conform to the current CAN/CGA-B149 installation code (in Canada) or the current National Fuel Gas Code, ANSI Z223.1 (in the USA), and approved per local codes. Only qualified (licensed or trained) personnel should install this product.

In the state of Massachusetts, only a licensed Plumber and Gas Fitter may install this product.

## **Vent Terminal Minimum Clearances**

Refer to the Power Vent installation instructions which are included with the power vent.

## **Minimum Clearances to Combustible Material**

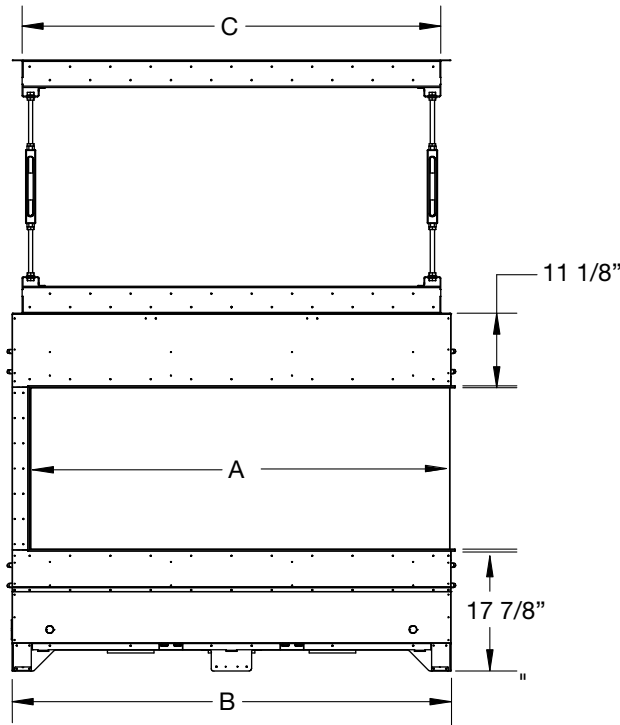
This appliance is a zero clearance fire feature. Combustible material may be use to frame the unit in.

Venting for this unit is also zero clearance. Combustible material is permitted to come into direct contact with venting material.

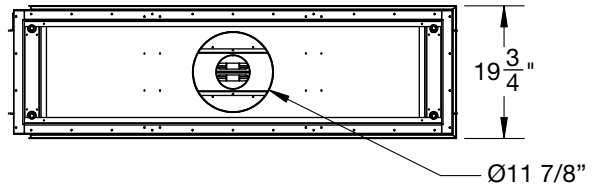
# Appliance Dimensions

## Bottom Intake Model

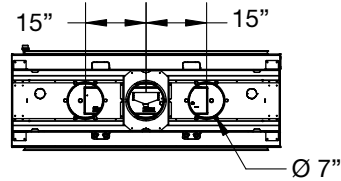
	3'	4'	5'	6'	7'	8'
A	50 1/2"	62 1/2"	74 1/2"	86 1/2"	98 1/2"	110 1/2"
B	53 1/4"	65 1/4"	77 1/4"	89 1/4"	101 1/4"	113 1/4"
C	50 1/4"	62 1/4"	74 1/4"	86 1/4"	98 1/4"	110 1/4"



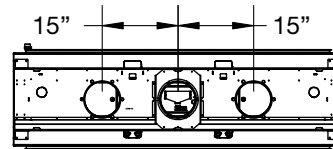
Top view of fireplace



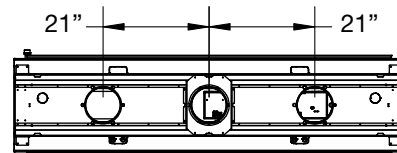
Bottom view (Intakes)



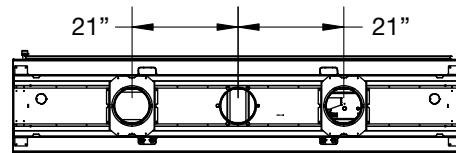
3 foot



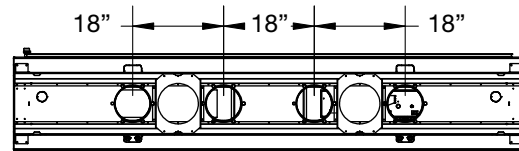
4 foot



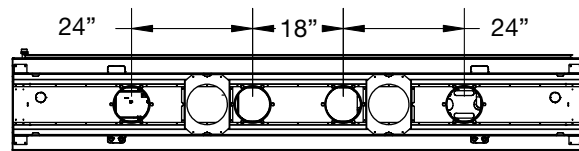
5 foot



6 foot



7 foot



8 foot

Glass Height	16"	24"	32"
D	16"	24"	32"
E	45 1/4"	53 1/4"	61 1/4"
F	50 5/8"	58 5/8"	66 5/8"

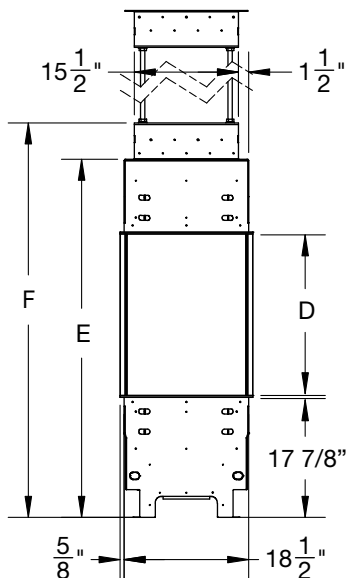
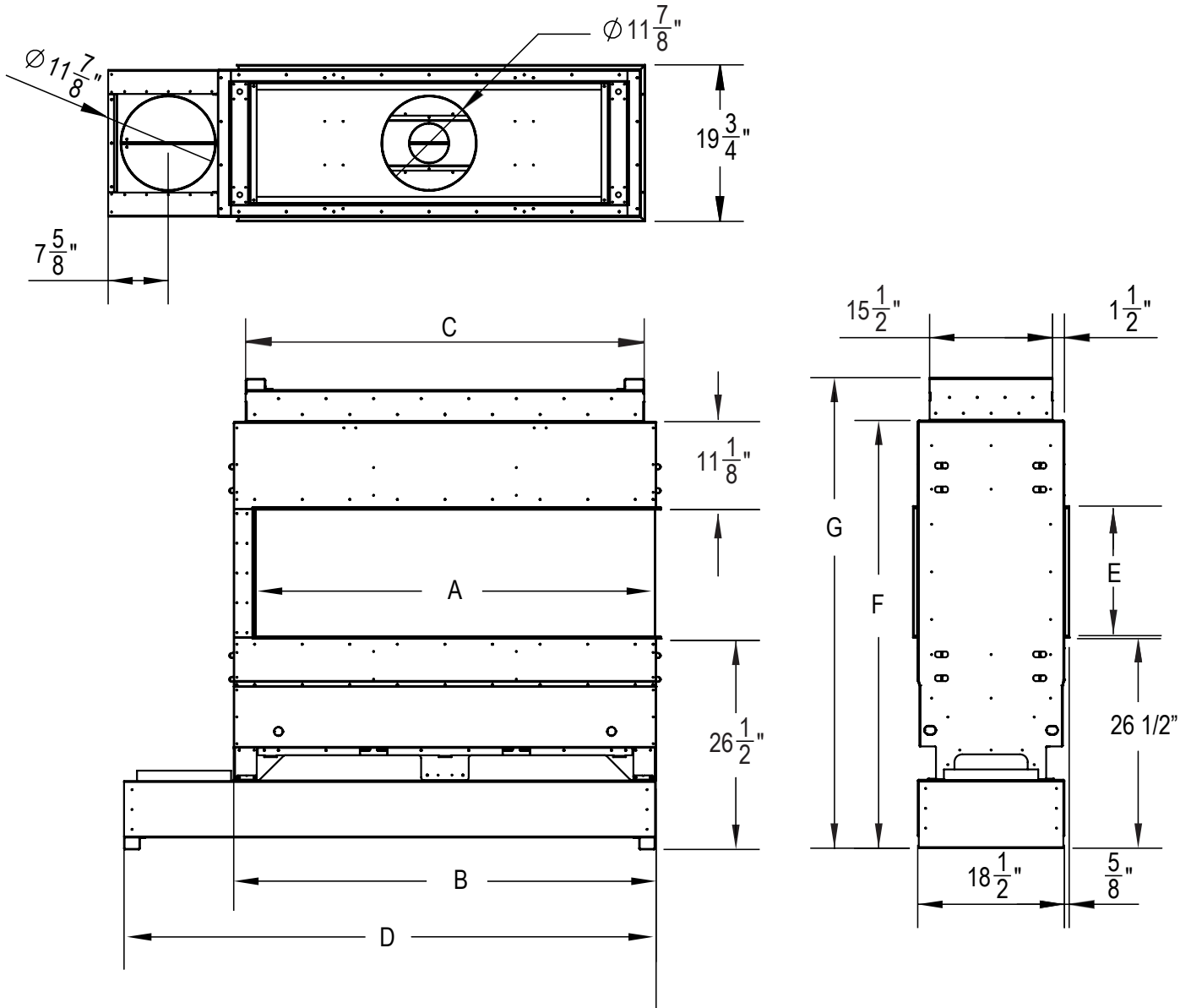


Figure 1: Peninsula - Bottom Intake Dimensions

## Top Intake Model

	3'	4'	5'	6'	7'	8'
A	50 1/2	62 1/2	74 1/2	86 1/2	98 1/2	110 1/2
B	53 1/4	65 1/4	77 1/4	89 1/4	101 1/4	113 1/4
C	50 1/4	62 1/4	74 1/4	86 1/4	98 1/4	110 1/4
D	67 1/8	79 1/8	91 1/8	103 1/8	115 1/8	127 1/8



Glass Height	16"	24"	32"
E	16"	24"	32"
F	54"	62"	70"
G	59 3/8"	67 5/8"	75 5/8"

Figure 2: Peninsula - Top Intake.



## Btu Values

Peninsula	3FT	4FT	5FT	6FT	7FT	8FT
BTU/HR	48000	64000	80000	96000	112000	128000

## Minimum Clearances to Combustible Material

This appliance is a zero clearance fire feature.

Combustible material may be used to frame this unit in.

Venting for this unit is also zero clearance.

Combustible material is permitted to come into direct contact with venting material.



## Locating the Unit

The Architectural Series Linear Appliances are power vented only, and because of this, they can be located in a variety of places. Consideration must be taken for the location of the fresh air intake and the power vent unit venting. A site fabricated platform capable of supporting the appliances weight may be constructed to elevate the viewing area to the desired height, as well as accommodate the fresh air intake - (if bottom vented), gas supply and electrical supply.

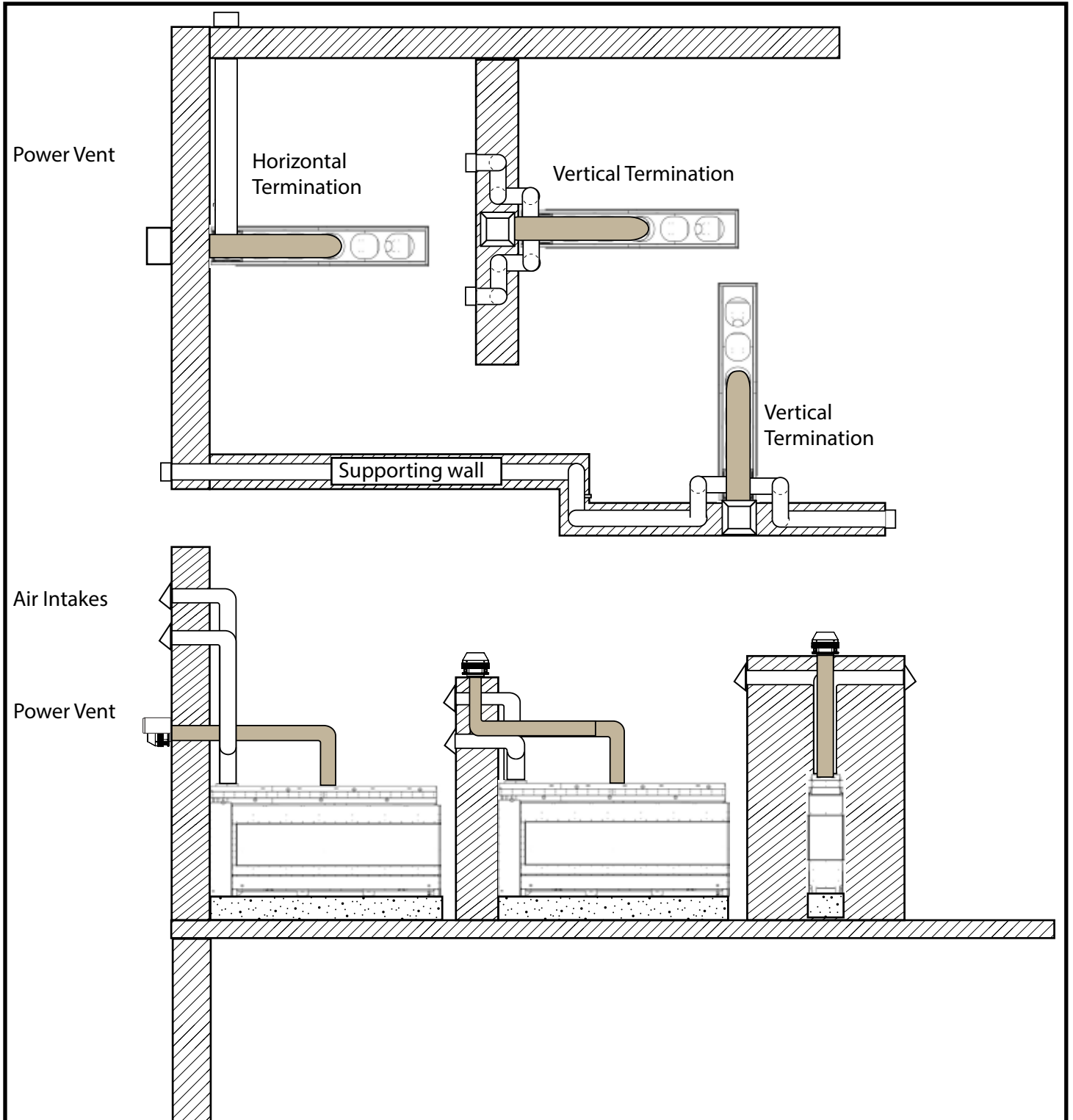


Figure 3: Linear appliance location options.

## Upper Support for Light Framed Units

The Peninsula is built using either a light weight material or heavy weight material. The difference between the two is determined by the weight of the facing material to be used. The lighter Peninsula uses adjustable supports to support the upper section of the Peninsula so that its' weight does not distort the upper section of the Peninsula. The Peninsula should be placed in its' final location first before installation of the upper support frame.

Materials included for this support include:

- Upper support frame (Figure 4).
- Eight 6' threaded rods - four right hand thread and four left hand thread. To be cut to size (Figure 5).
- Four Turnbuckles (Figure 6).

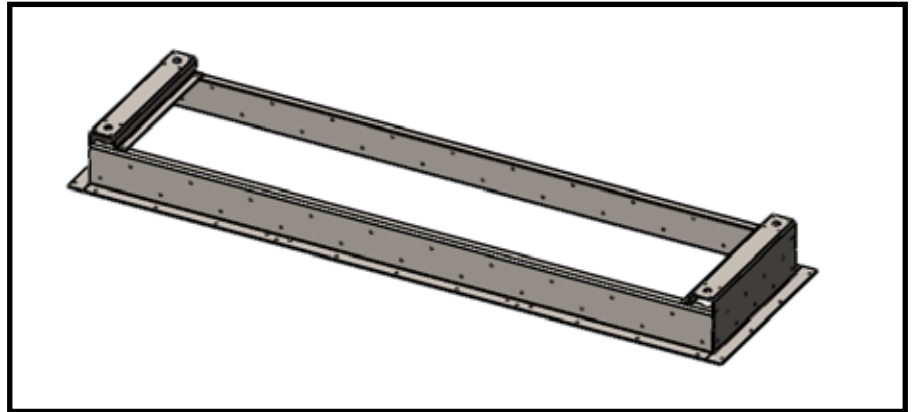


Figure 4: Upper support frame.



Figure 5:  
Threaded rod.

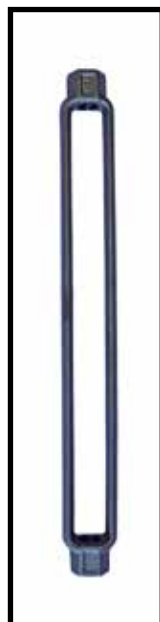


Figure 6:  
Turnbuckle.

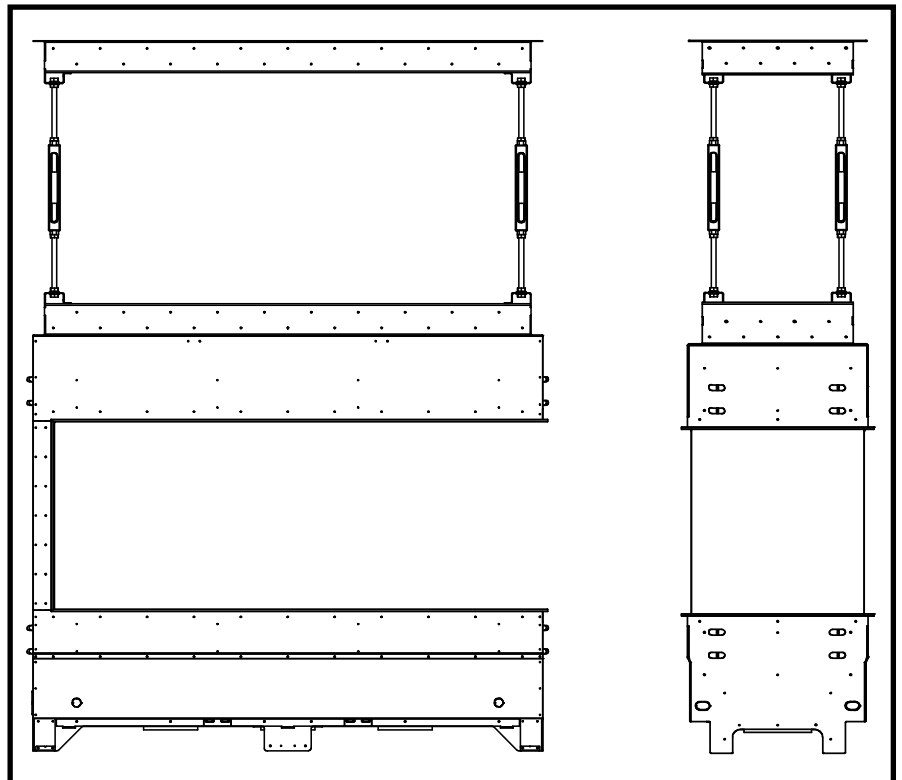


Figure 7: Upper support frame and adjustable rods.



## Removing Vertical Supports

Peninsulas built with a light frame ship with two vertical supports attached to the open end as shown in Figure 8 so that the weight of the upper section of the fireplace does not distort the upper section. These supports must remain in place until:

- The Peninsula is in its final location.
- The Upper Support Frame is in its final location.
- The adjustable turnbuckles and their threaded support rods have been set so that the upper section of the Peninsula is no longer exerting weight on the vertical supports.

Once the weight of the upper section is fully supported by the adjustable support rods, the vertical supports can be removed.

To remove:

Locate the bolts securing the vertical supports to both the upper and lower sections of the Peninsula (Figure 9 and Figure 10) .

Use a 9/16" socket wrench to remove.

Discard vertical supports once they have been removed.

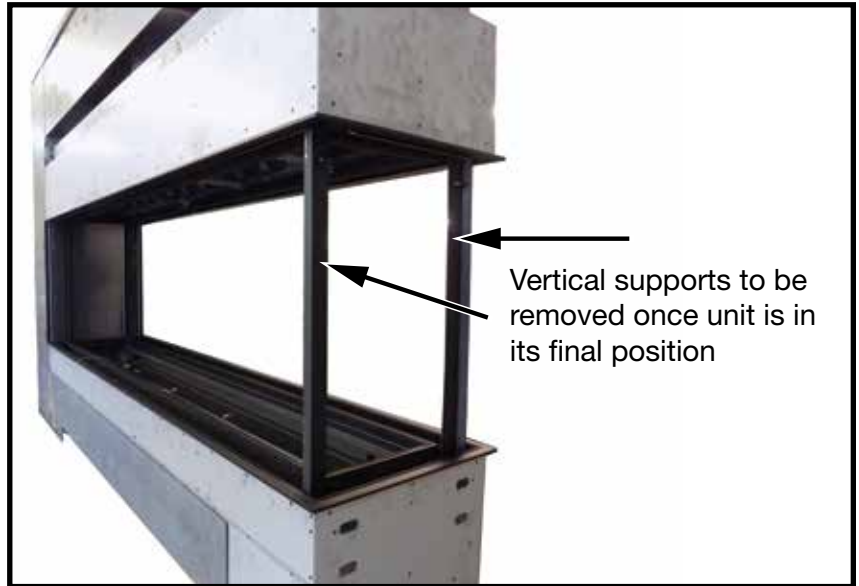


Figure 8: Vertical supports to be removed.



Figure 9: Vertical support upper bolt to be removed.



Figure 10: Lower support bolts to be removed.

## Framing and Finishing

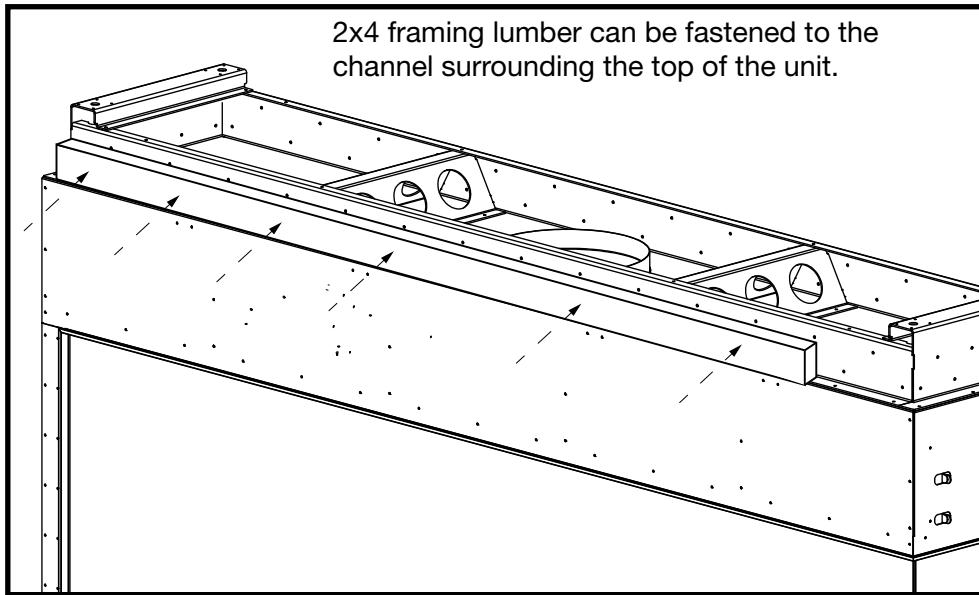


Figure 11: Stud securing points.

Before framing and finishing, there are two important points to keep in mind:

1. When securing wooden studs to the top of the unit, the screws can be secured through any part of the upper fastening area surface (Figure 11).
2. Facing material can be secured directly to the front and sides of the unit except in the areas indicated in this example in (Figure 12). Each model will have its own specific areas in which screws must not be driven into.

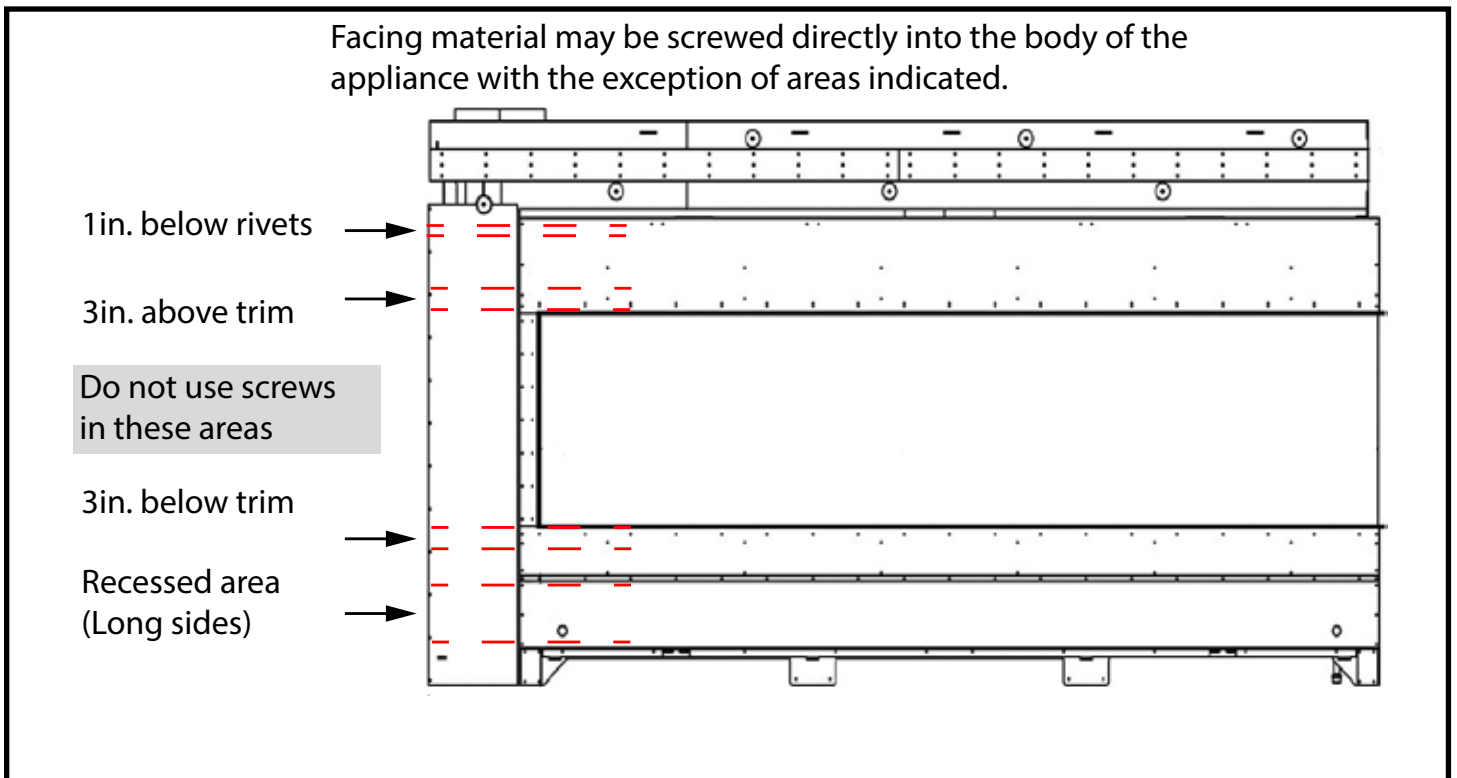


Figure 12: Facing attachment area.



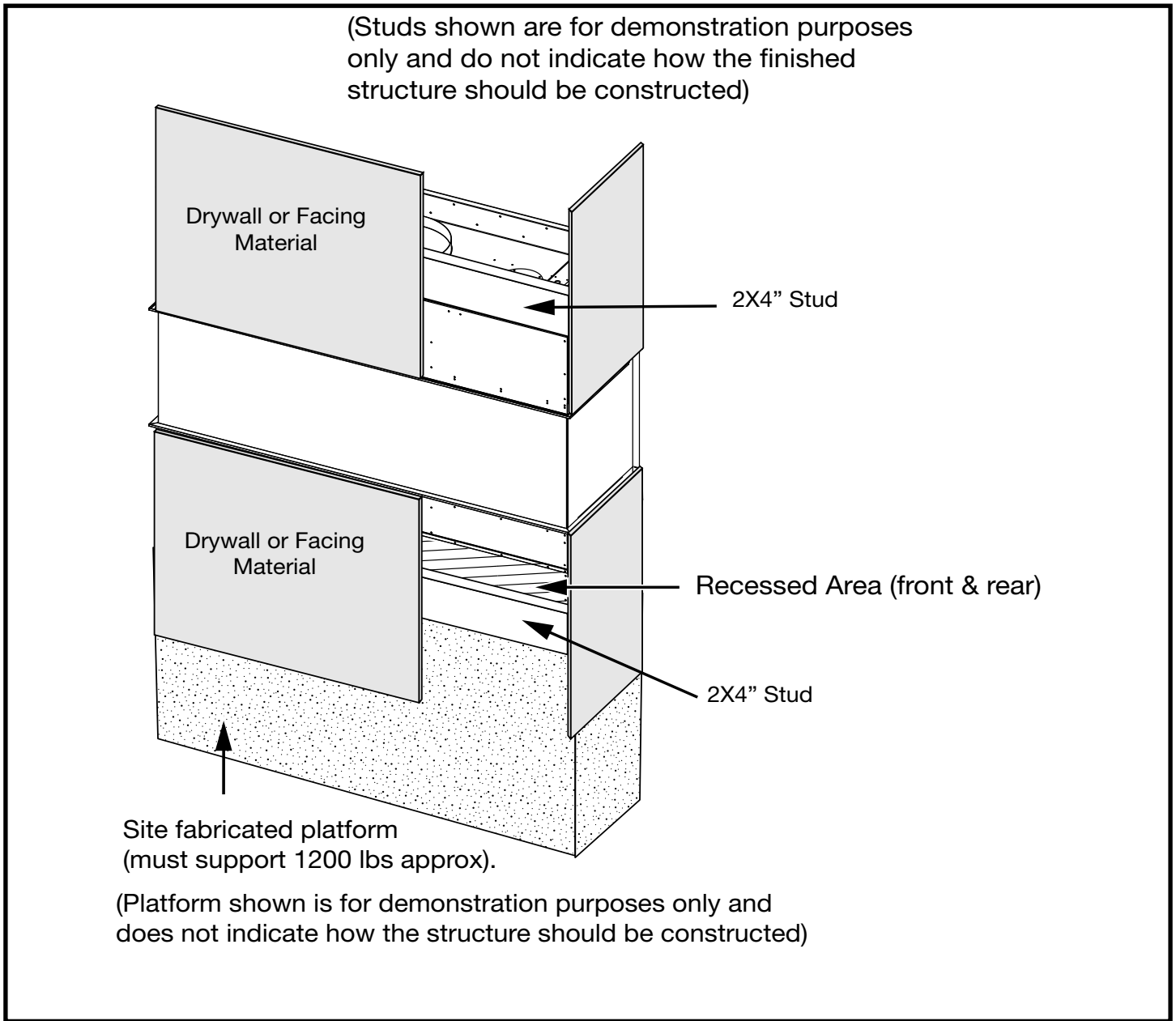


Figure 13: Framing and facing.

## Framing

**Note:** To reduce vent noise, it is recommended to insulate the chase above the fireplace with soundproof insulation.

Framing in the unit begins with determining how high from the floor the unit will sit. A platform capable of supporting the weight of the unit and, if bottom air intake style, housing the fresh air intake venting must be built. Standard 2X4"s or 2X6"s can be used for building the frame at the bottom of the unit and 2X4"s can be used for building the frame at the top of the unit (Figure 13).

On the top of the unit, a pony wall can be built to the ceiling if desired. This pony wall will also accommodate the exhaust venting material. Both supporting structure and pony wall must be tied into wall framing.

The building of the supporting structure and the pony wall must be built to local building codes.

## Facing Material

Because the appliance requires no clearance to combustible material, drywall or other facing material can be affixed directly to the surface of the unit. Using standard 2x4's and 2x6's in the framing process allows for the edge of 1/2" drywall or other facing material to fit into the channels which make up the perimeter of the exterior glass sheets (Figure 14 and Figure 15).

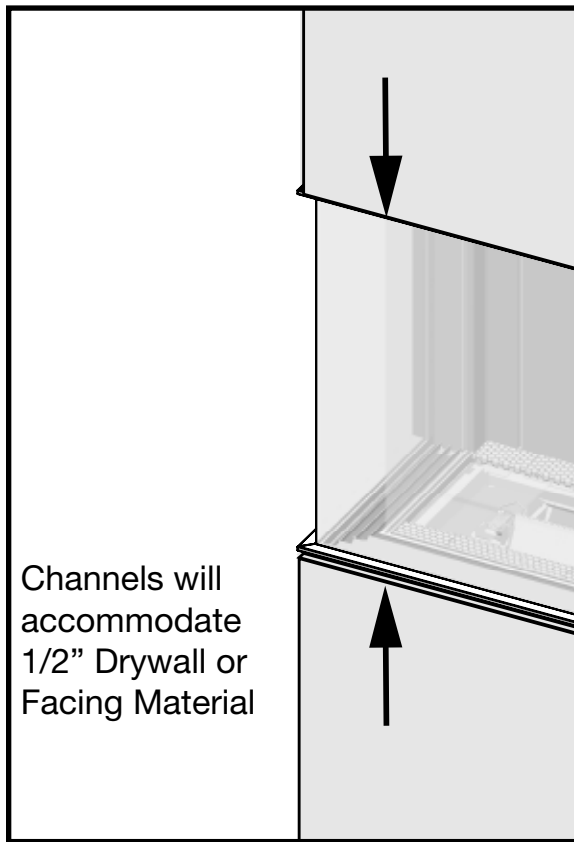


Figure 14: Leading edge of drywall.

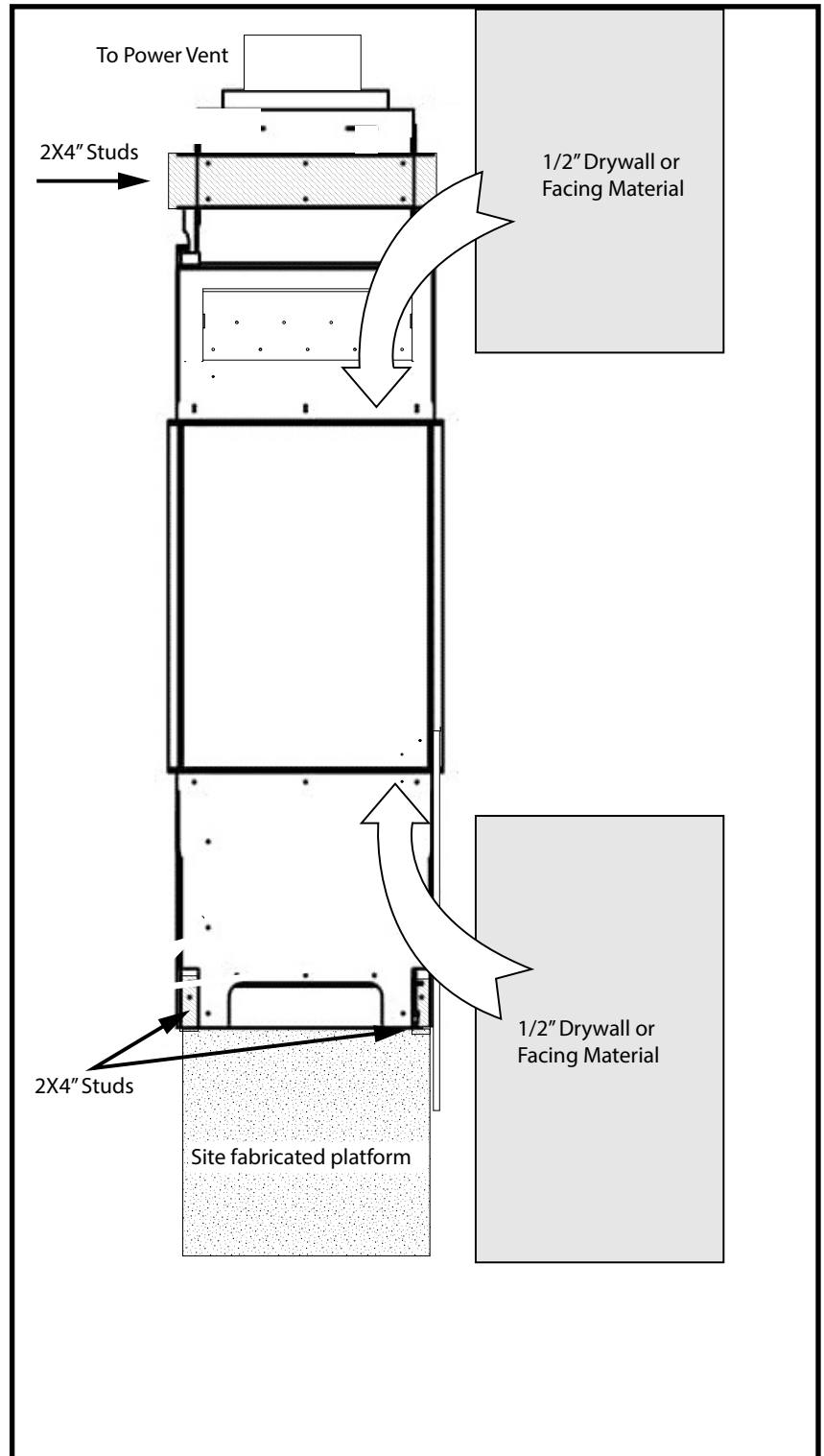


Figure 15: Left side framing and facing view.



## Venting Configuration

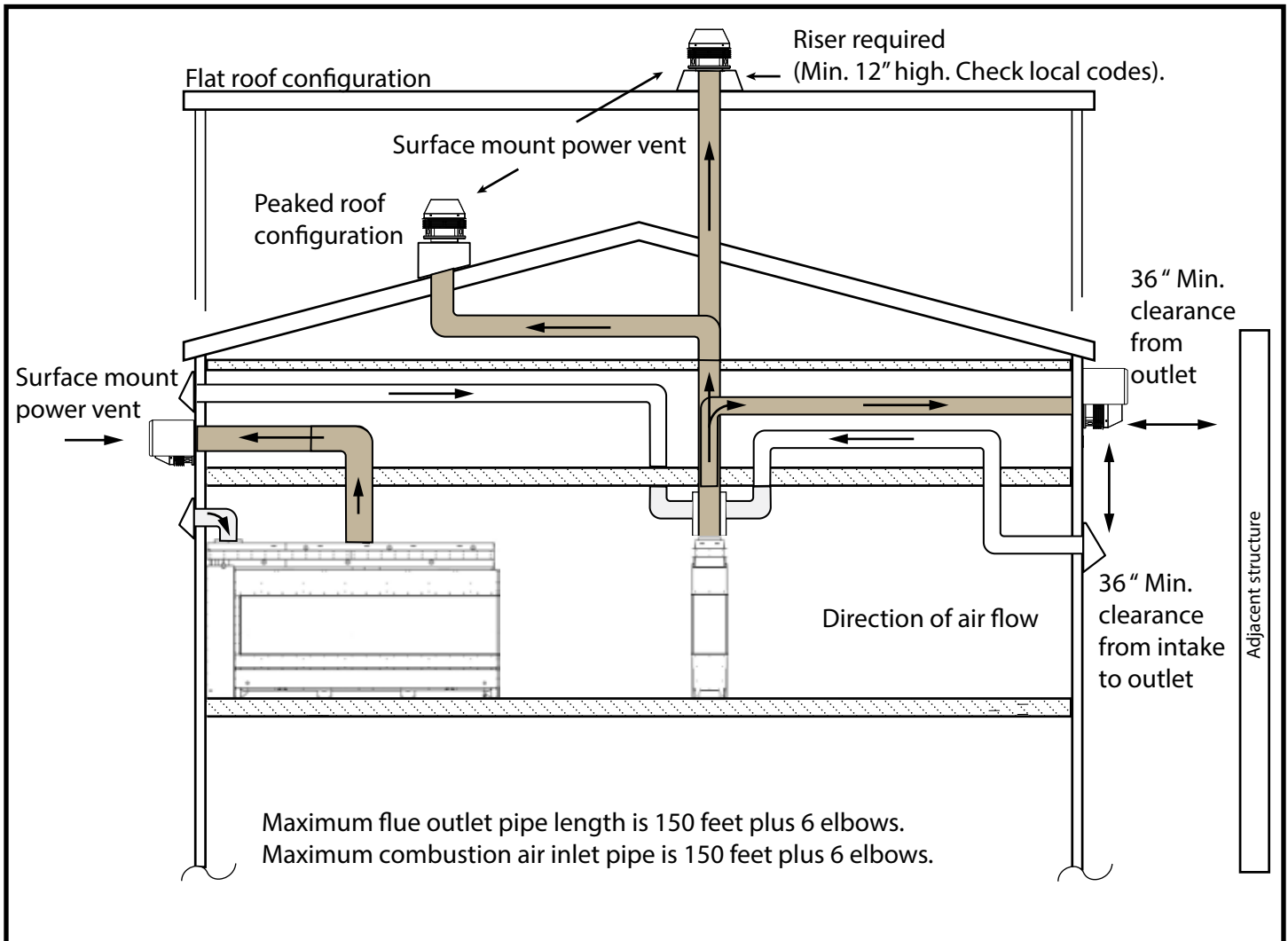


Figure 16: Venting configurations.

### Venting plenum

**Intake must be a minimum single wall, 26ga galvanized.**

**Exhaust must be 12" B-vent.**

**NOTE: Plenum must not be shared with other appliances.**

Some installations - particularly in new renovations or with pre-existing constraints / obstacles may require the construction of a plenum in order to accommodate multiple air intakes.

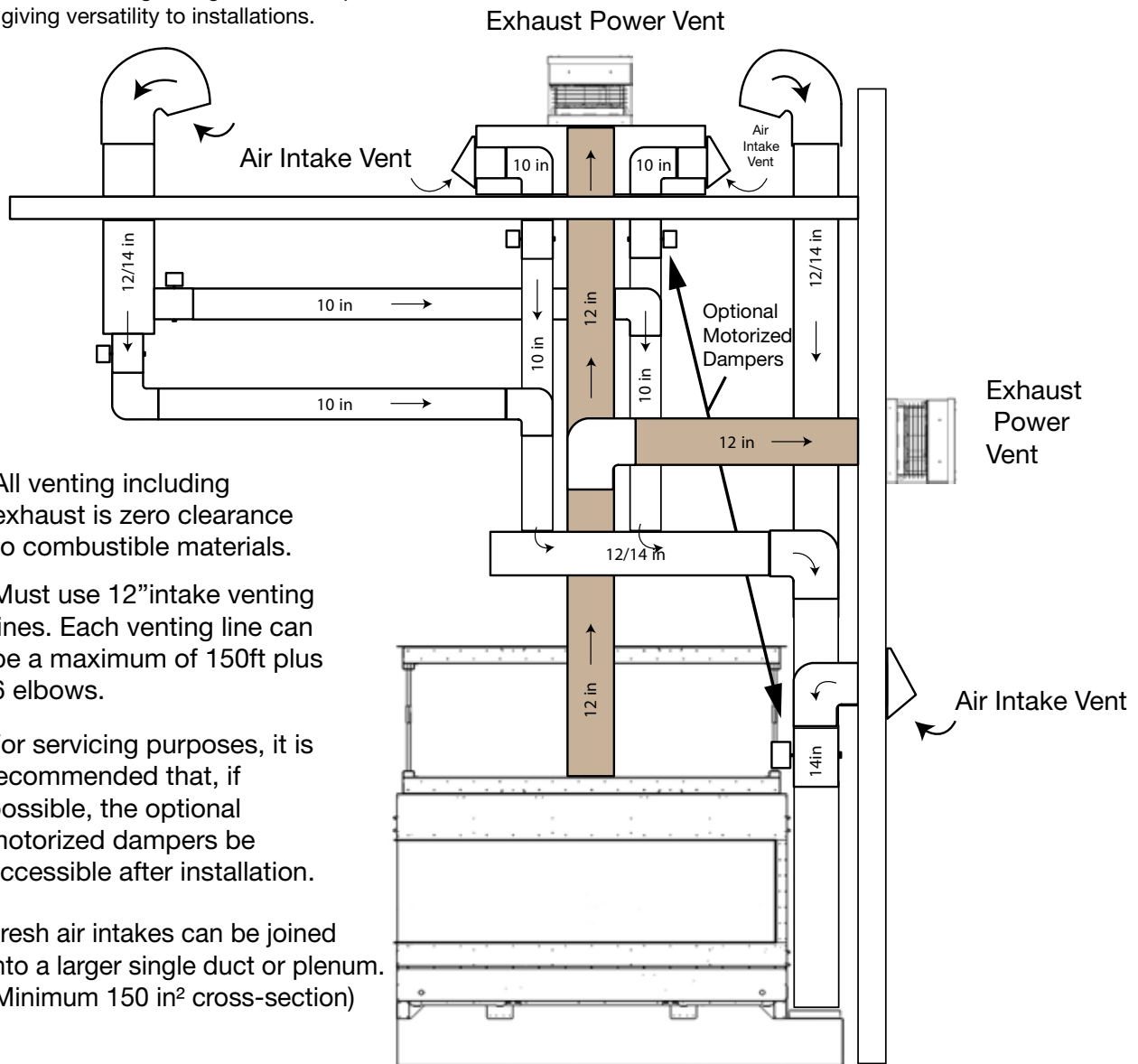
The plenum must be made of furnace ducting (Minimum 26 gauge) or other material impervious to moisture. The constructed plenum must have a minimum cross-section of 150 square inches and be sealed to the air-intake collars on the appliance. The plenum may be transitioned to a single intake as long as the 150 square inch cross-section is maintained.

For a single air intake, the rule of a maximum of 150 feet plus 6 elbows still applies.



# Venting Specifications

Various venting configurations are possible, giving versatility to installations.



All venting including exhaust is zero clearance to combustible materials.

Must use 12" intake venting lines. Each venting line can be a maximum of 150ft plus 6 elbows.

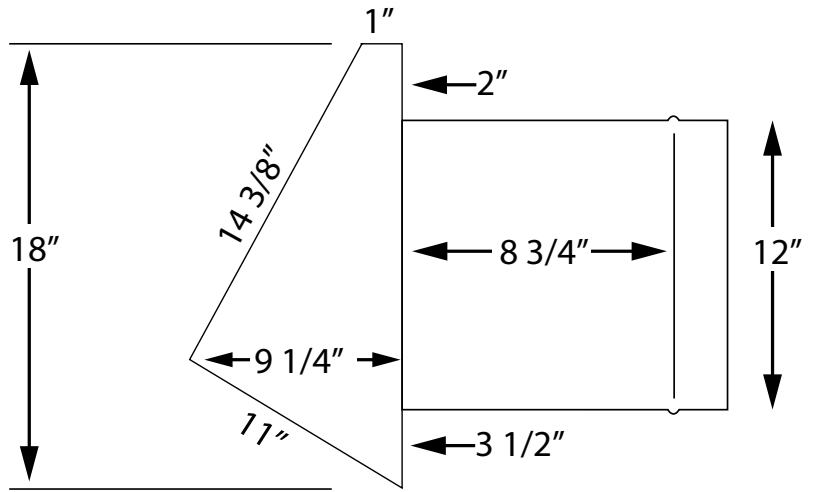
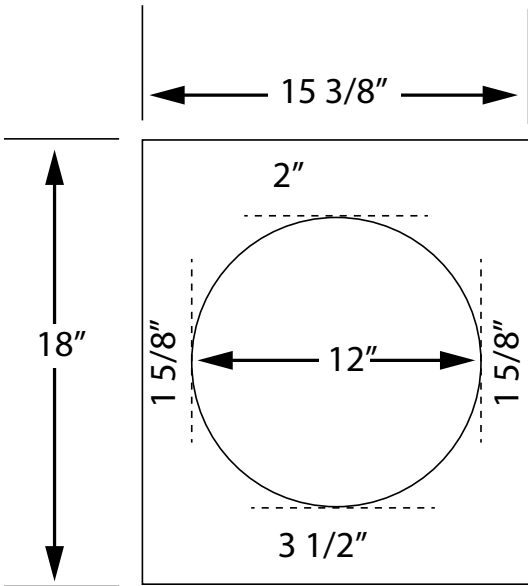
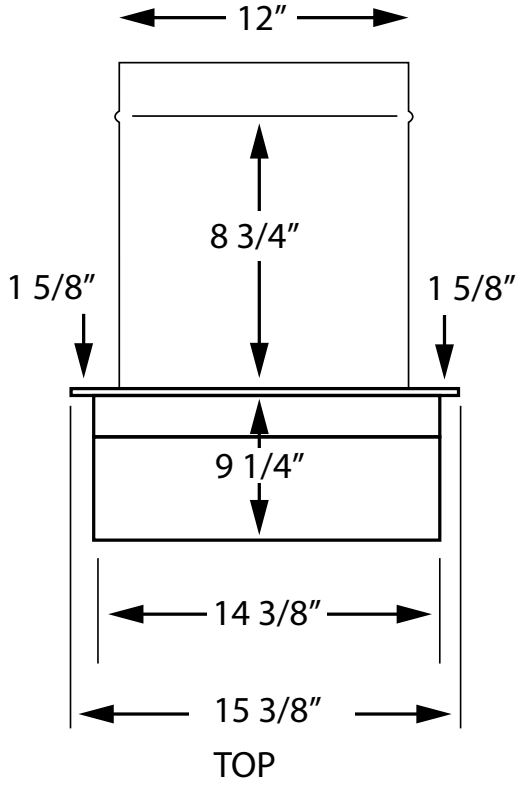
For servicing purposes, it is recommended that, if possible, the optional motorized dampers be accessible after installation.

Fresh air intakes can be joined into a larger single duct or plenum. (Minimum 150 in<sup>2</sup> cross-section)

Figure 17: Venting specifications.

- Air intake venting uses 12" standard single wall furnace grade venting material. The intake line can be up to a maximum of 150 ft plus 6 elbows.
- Motorized damper is optional.
- Exhaust venting uses 12" standard single wall furnace grade venting material. Maximum length is 150 ft plus 6 elbows.
- All Venting is zero clearance.

# Air Intake



## Optional Motorized Damper



Figure 18: Optional motorized damper.

The optional motorized damper closes off air from the outside being able to enter the fireplace when the fireplace is off. This unit is mounted near the air intake vent. This unit is wired directly to the fireplace body (Figure 59 on page 35). One motorized damper is required for each of the air intake venting lines.

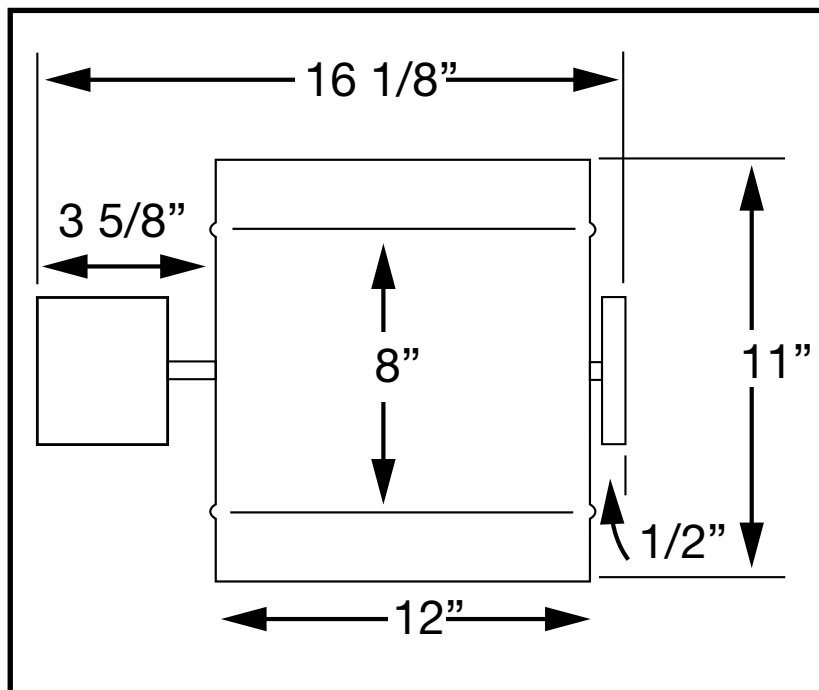


Figure 19: Motorized damper dimensions.

## Power Vent



Figure 20: Power vent.

Architectural Series Power Vent with junction box attached.



Figure 21: Anti vibration collar.

We recommend attaching this collar as close to the power vent as possible to reduce vibration from the power vent through the vent pipe.



Figure 22: Self tapping screws.

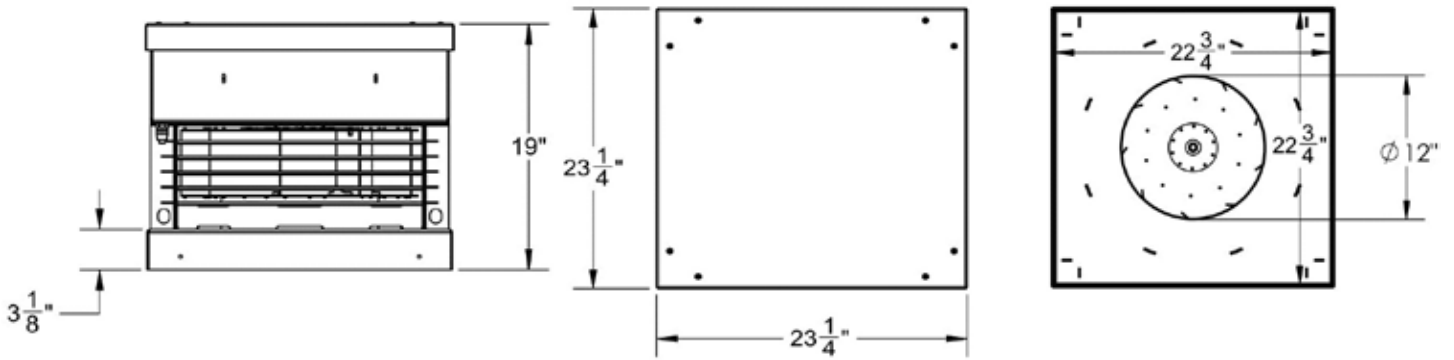
Use the provided self-tapping screws to attach the vent pipe to both sides of the anti-vibration collar.



Figure 23: Lag bolts.

Use the provided lag screws to attach the power vent to the site constructed riser or curb. There are 8 holes around the base. (Two per side).

## Power Vent Dimensions



## Vertical Installation

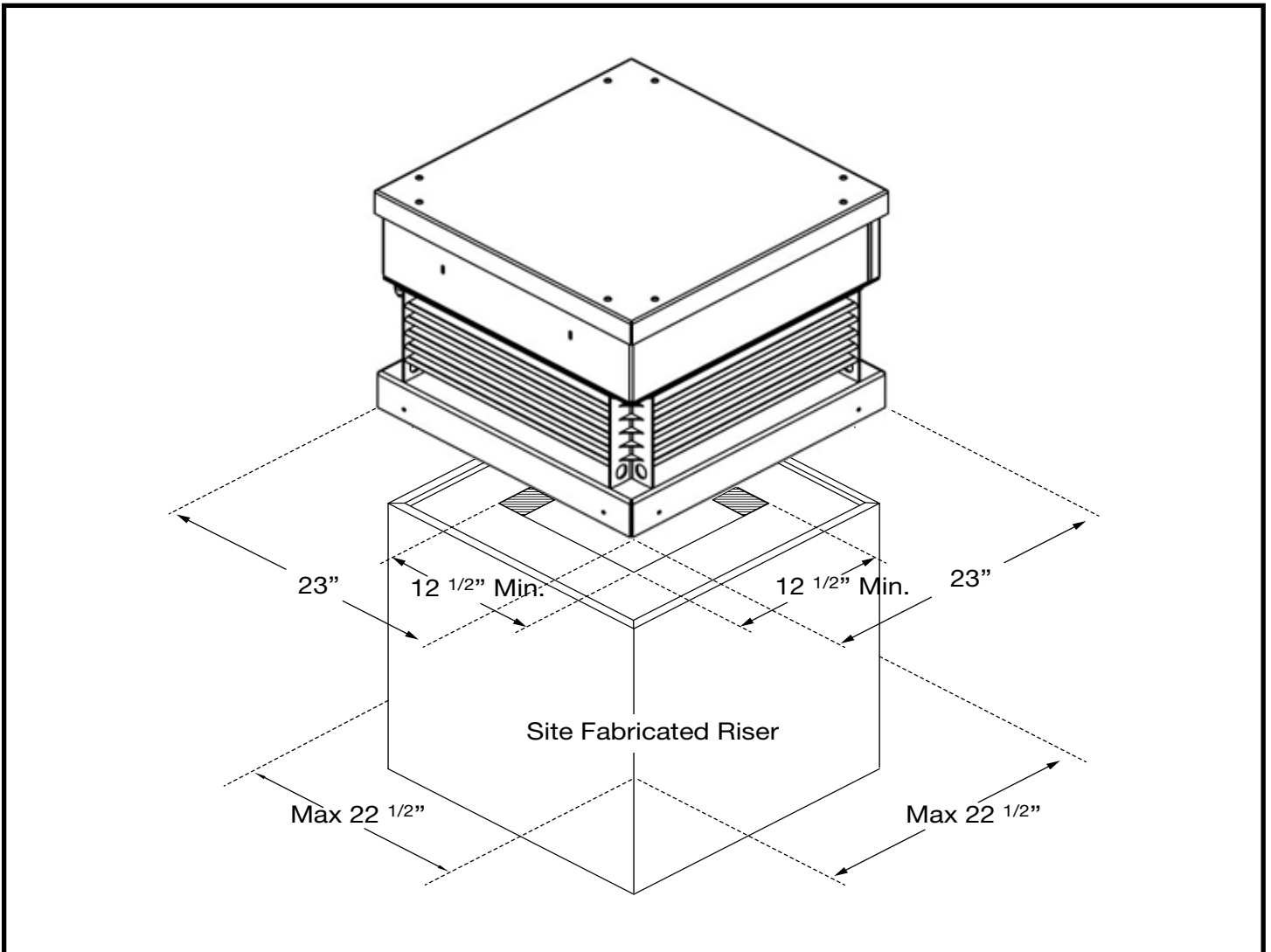


Figure 24: Power vent vertical installation.



## Horizontal Installation

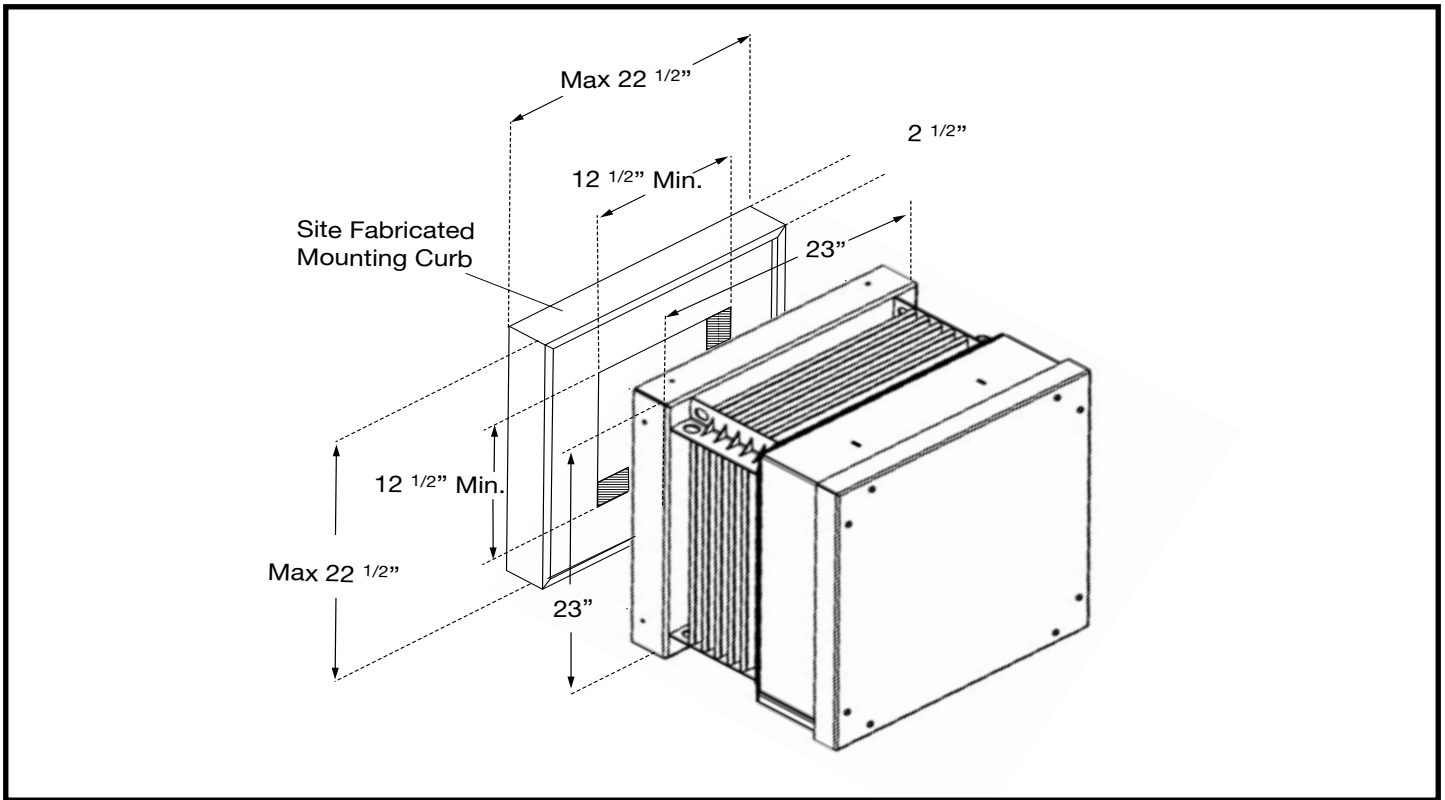


Figure 25: Power vent horizontal installation.

**When installing the power vent horizontally, ensure the side of the power vent with the attached electrical junction box is facing downwards.**

**Use exterior silicone/caulk around the base of the power vent to seal it to the building envelope.**

**Any horizontal run leading to the power vent shall be sloped down to the outside at a minimum of 1/4 inch per foot of vent length.**

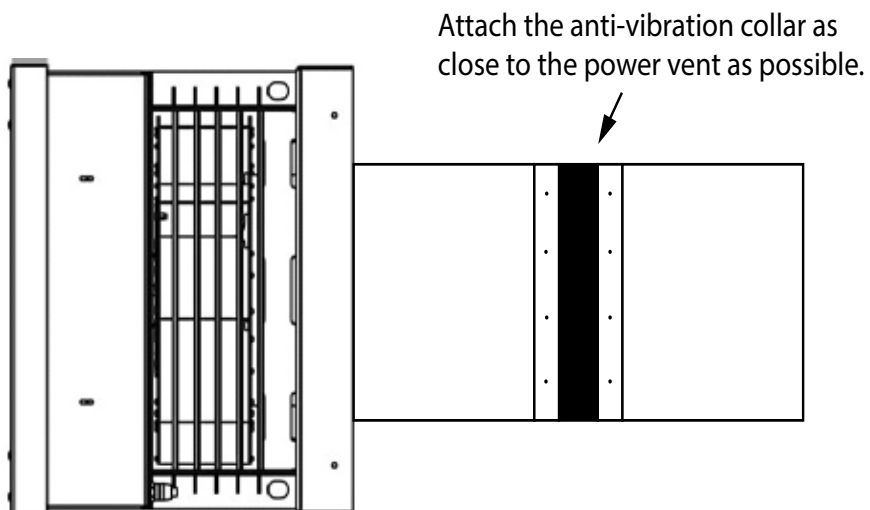


Figure 26: Power vent pipe and collar assembly.

## Vent Terminal Clearance

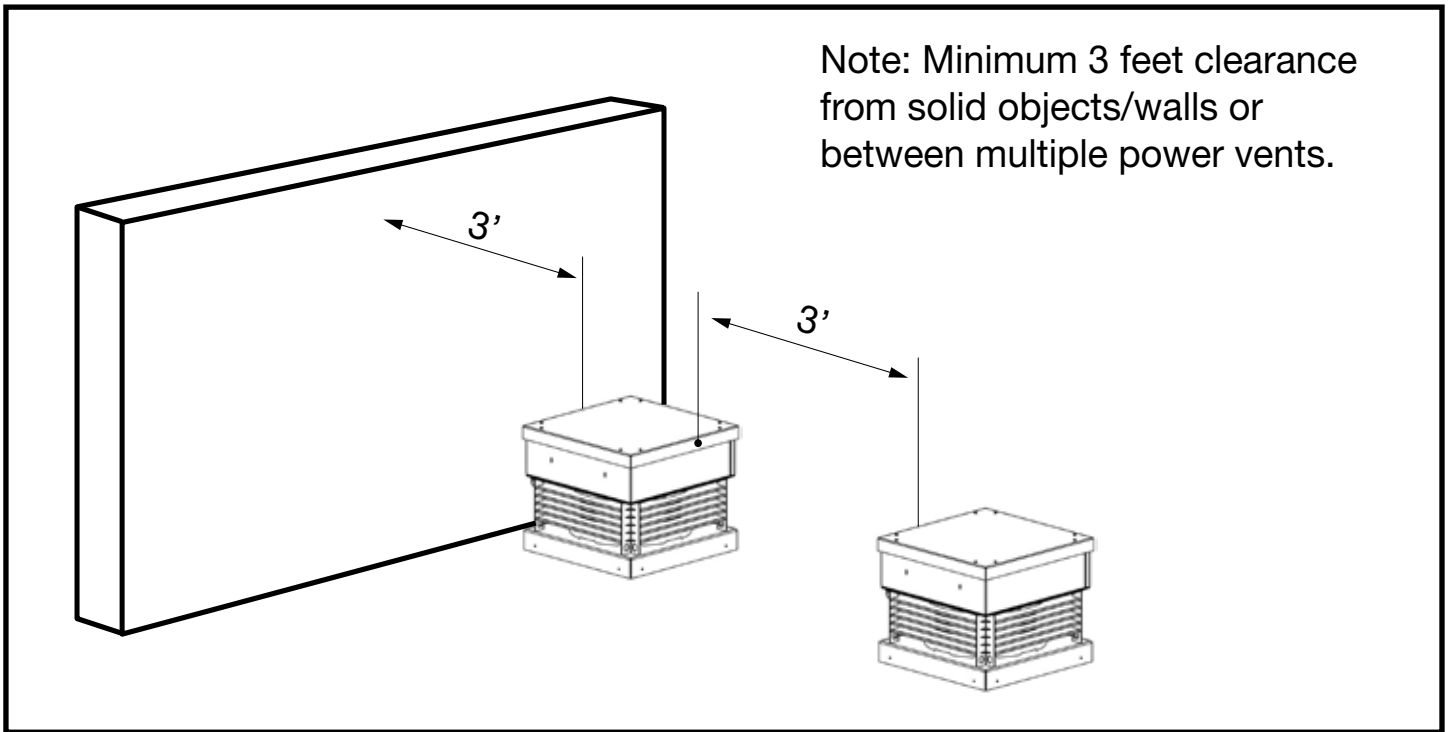


Figure 27: Power vent clearances.

## Power Vent Wiring

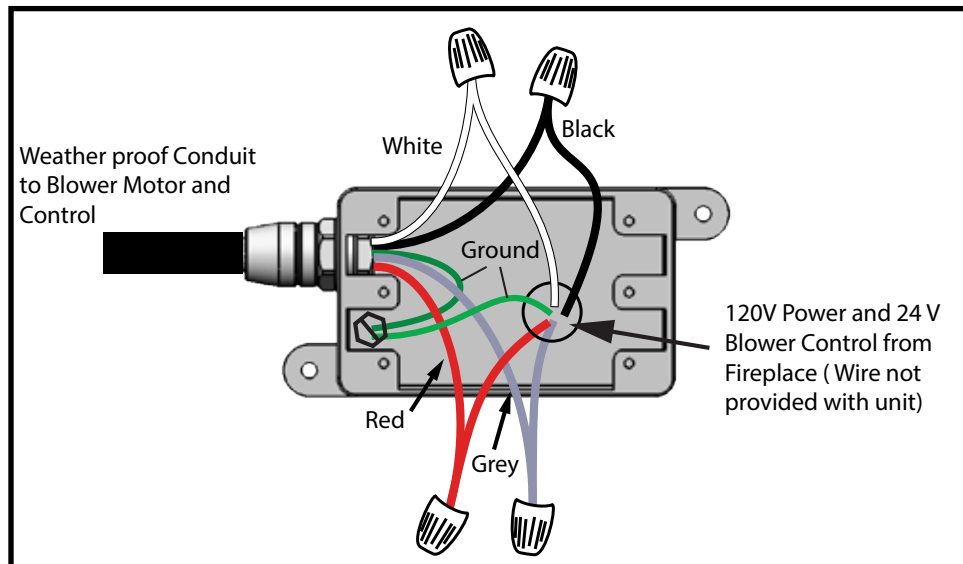


Figure 28: T.S. Wiring diagram.

## Flush Mount Power Vent Details

115 VAC Single phase  
60/50 Hz  
1/2 HP  
6.8 Amps  
Weight: Aprox. 30 lbs.

## Flush Mount Power Vent Dimensions

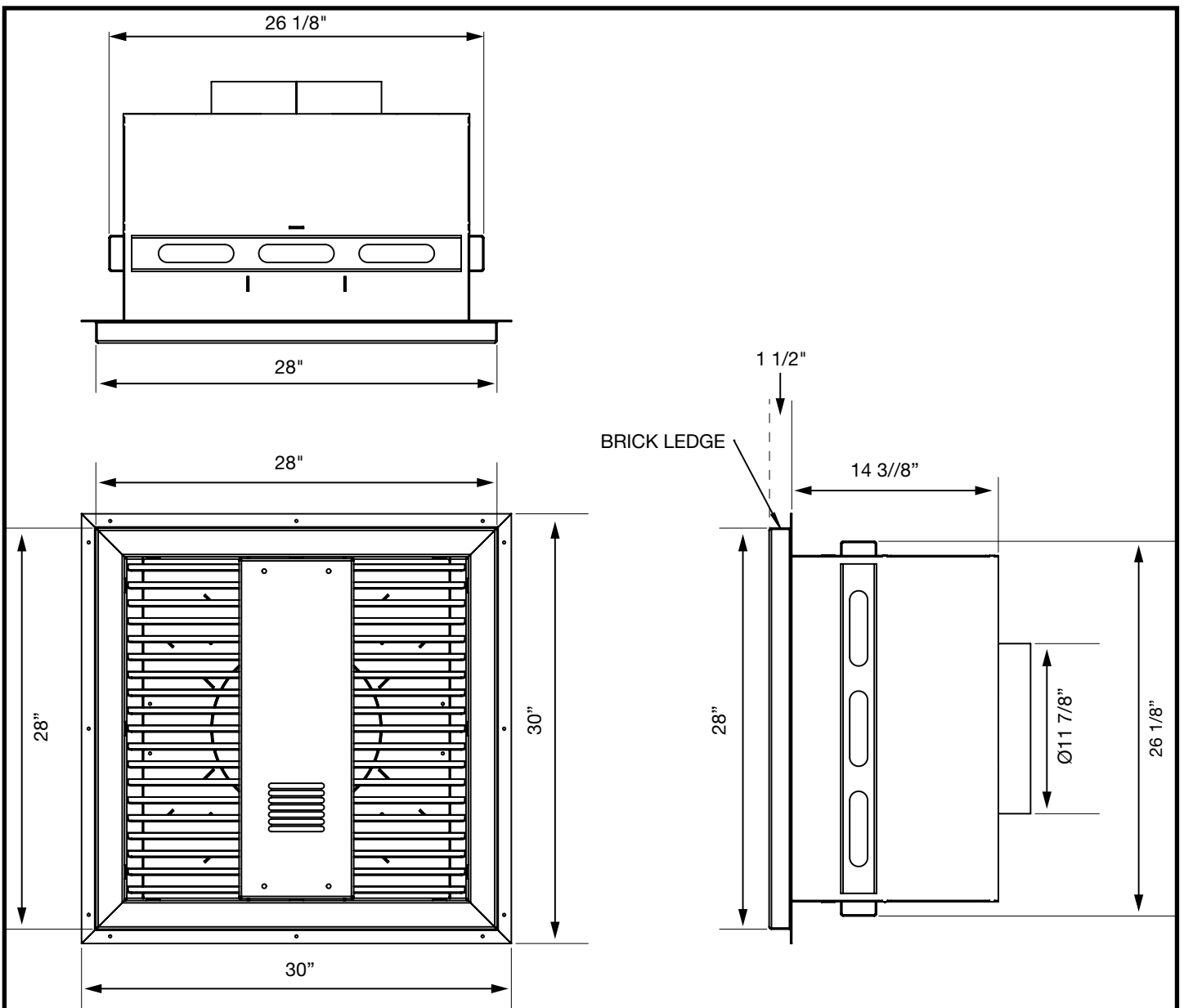


Figure 29: Architectural series power vent dimensions.



## Mounting the Flush Mount Power Vent

The Architectural Series Power Vent must be mounted into a constructed frame. The size of the unit (28" x 28") means that part of a stud will need to be removed in order to build the frame.

Before installing the fan into the frame, the front grill must be removed so an electrical connection can be established.

### Removing the grill

The front grill must be removed before installing the unit into its frame. Locate and remove the four screws affixing the grill to the unit (Figure 30) - remove grill and set aside.



Figure 30: Screws for grill.

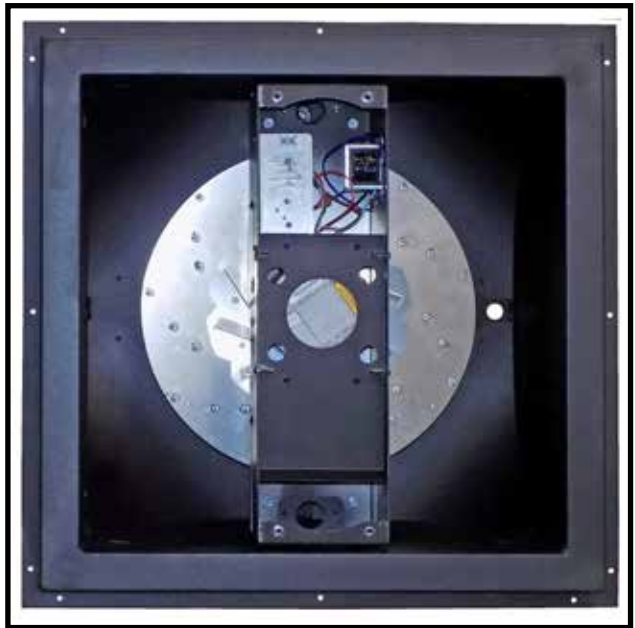


Figure 31: Securing points for the fan unit.

### Installing the fan unit

The fan unit weighs approximately 30 lbs and so the constructed frame must be able to support its weight.

The fan unit is secured to the constructed frame using the 12 supplied screws (Figure 31).

**Note: The constructed frame must be built in accordance with local building codes.**

## Minimum Clearances to Combustibles

Body of Power Vent:	0"
Vent pipe:	0"



# Framing the Flush Mount Power Vent

Recommended framing. See local building codes for more information.

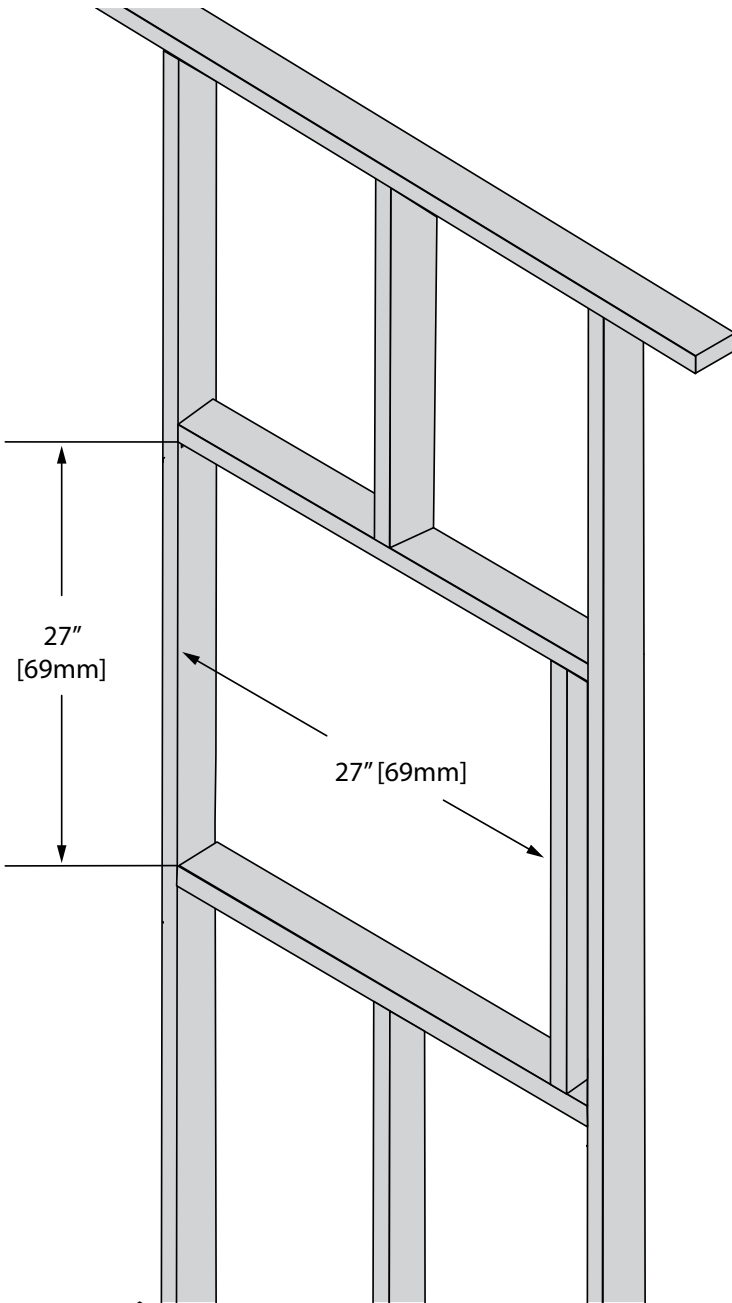


Figure 32: PV Framing Dimensions.ai

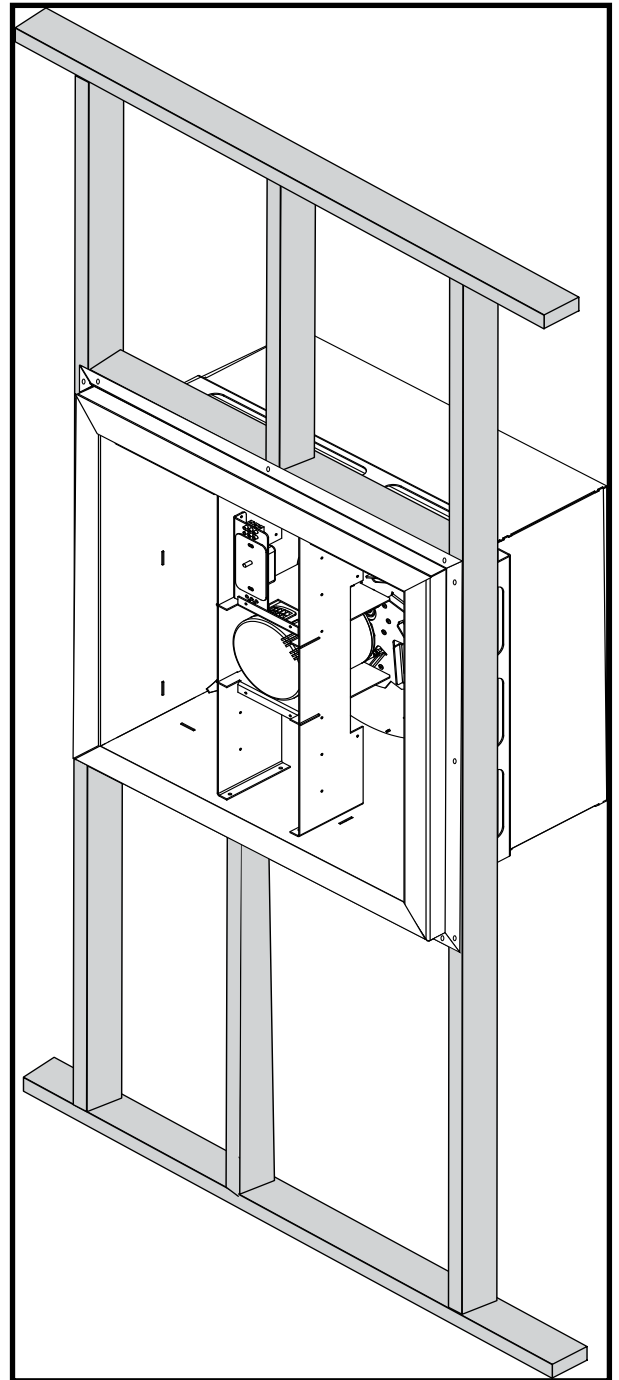


Figure 33: Fan - without grill, installed.ai

# Flush Mount Electrical Connection

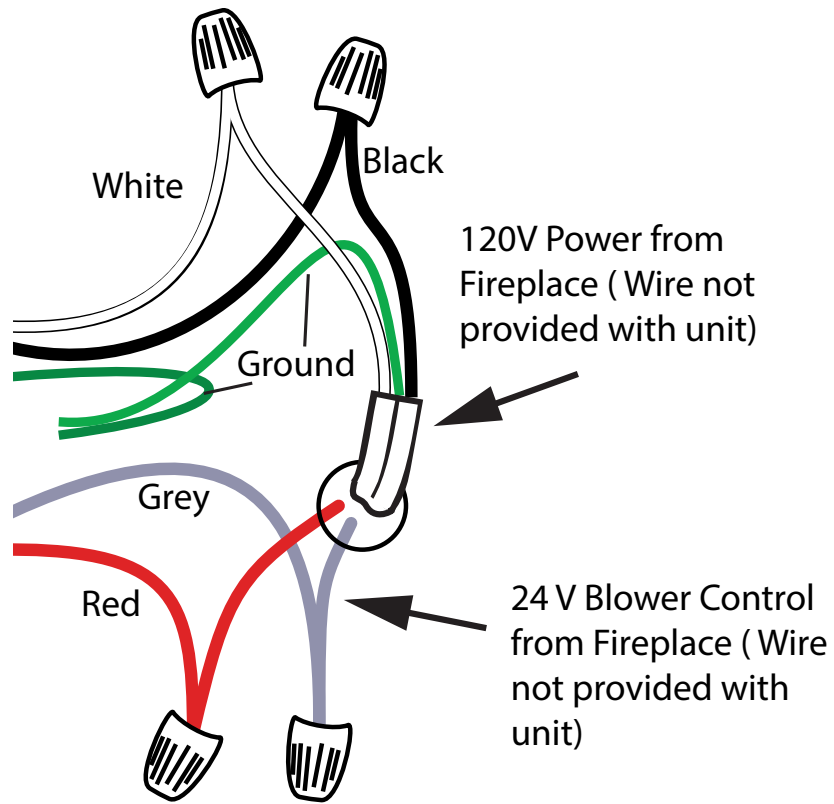


Figure 34: FMPV Wiring Diagram.



## Baffle Adjustment



Figure 35: Adjustable baffle ports.



Figure 36: Adjustment accessible through the baffle cover.

The air baffle (Figure 35) is set to fully open before it is shipped and might need adjustment. However, if adjustment is required, the sliding plates can be moved by inserting a screwdriver or other object up through the baffle cover (Figure 36) and adjusted. There is a bracket on either end of the baffle to use for easy adjustment. If the flame pattern is too hectic, close the baffle opening a half inch at a time and monitor the flame with all glass panes installed.

**NOTE:** The more you close the baffle, the more the outer glass temperature will rise, as less heat is being evacuated from the combustion zone.

The baffle cover is secured by twelve bolts (Figure 36). If removal of the baffle cover is necessary, always remove the center bolts last, as well as installing them first when re-installing the baffle cover.

# Glass Burner Tray and Media Installation

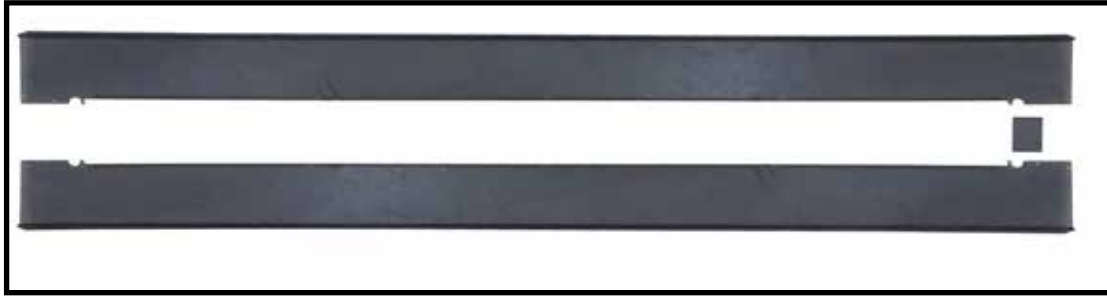


Figure 37: Burner tray components.

## Burner tray installation

The burner tray consists of 3 pieces - 2 identical long pieces and one small patch piece.

1. The 2 long pieces fit on either side of the burner element.
2. Fit the edges of the long pieces fully into the slots as indicated in the inset of Figure 38.

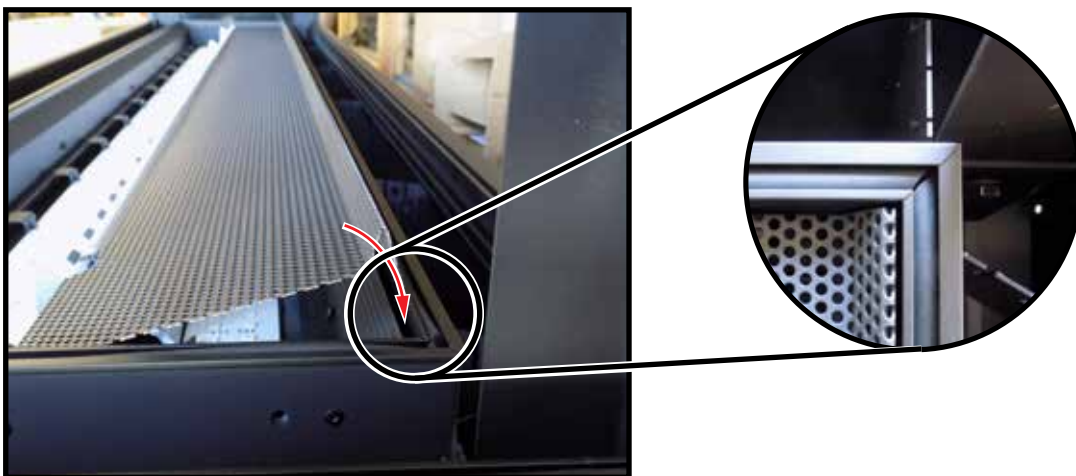


Figure 38: Fitting edge of the burner into slot.





Figure 39: Securing cover plate to burner tray.

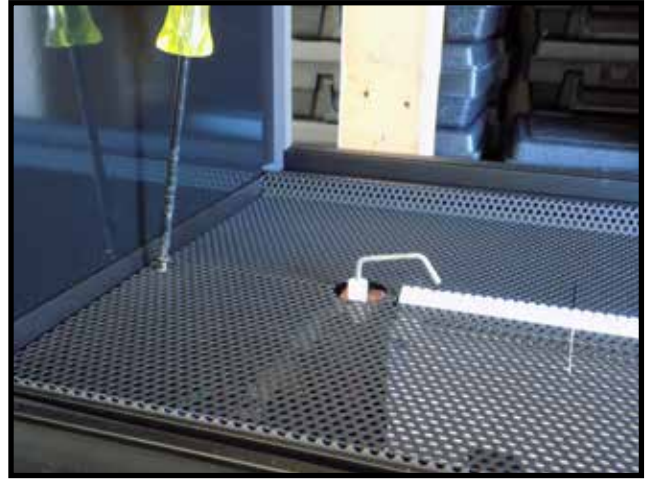


Figure 40: Securing burner tray halves to the unit.

3. Do the same with the second long piece.
4. Place the small square patch over the hold at the opposite end from the pilot (Figure 39).
5. Use one screw each to secure the 2 long pieces and the one small patch (Figure 40).

### Applying glass media

1. Apply glass media evenly throughout the burner tray. The layer of crushed glass should be applied so that the burner tray and the burner holes are just obscured.
2. Make sure that the first several holes underneath the flame igniter/rectifier are left uncovered as shown in Figure 42.



Figure 41: Applying crushed glass on burner tray.



Figure 42: Exposed holes beneath the igniter.

## Window Frame Installation/Removal

Once the crushed glass media has been placed over the burner tray, mount the 3 inner glass sheets and 3 outer glass sheets.

**Note:** Installing the long glass sheets in Peninsula models of 5 feet in length or greater is a two person job.

1. Before installing the glass sheets, push the gas valve shut-off handle down and out of the way (Figure 43).

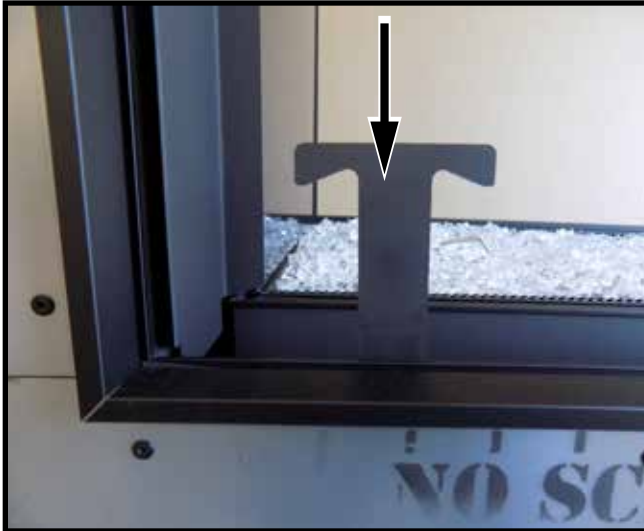


Figure 43: Gas valve shut off.



Figure 44: Installing inner glass sheet.

2. Using the supplied suction handles, install the first inner long glass sheet, top edge in first as shown in Figure 44. Once top edge is in place, maneuver the bottom edge of the glass sheet so that it lines up with its corresponding channel. Lower the glass sheet into the channel. Repeat this procedure for the opposite long, inner glass sheet. Gently shift each of the long inner glass sheets toward the end the Peninsula opposite of the pilot assembly.

**Note:** Figure 46 shows the vertical supports still in place. See “Removing Vertical Supports” on page 12 for instructions on when and how to remove the vertical supports



Figure 45: Top edge of sheet goes in first.



Figure 46: Installing inner end glass sheet.

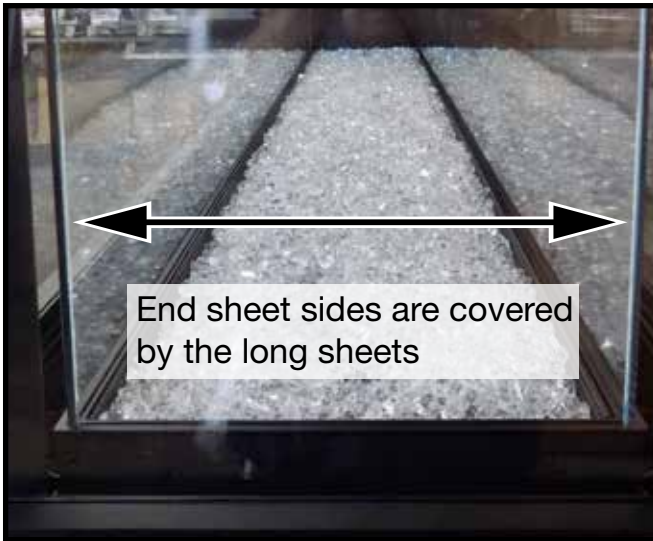


Figure 47: Inner sheet fits between the long sheets.



Figure 48: Insert bottom end first.

3. Install the inner end glass sheet by inserting the top edge of the glass sheet into its channel first, followed by lowering the bottom edge into its channel. **NOTE: the inner end glass sheet should be centered so that the two long inner glass sheets cover the side edges of the inner glass sheet.**
4. Once the three inner glass sheets are installed, place the two magnetic covers against the magnets on the side walls between the inner and outer glass sheets. Install the bottom end in first and rotate the cover up until the cover makes contact with the magnets (Figure 48 and Figure 49).
5. The installation of the outer sheets follow the same process as the installation of the inner glass sheets.
6. For de-installation, follow the previous procedures in reverse order.



Figure 49: Magnetic cover in place.



# LED Strip Replacement

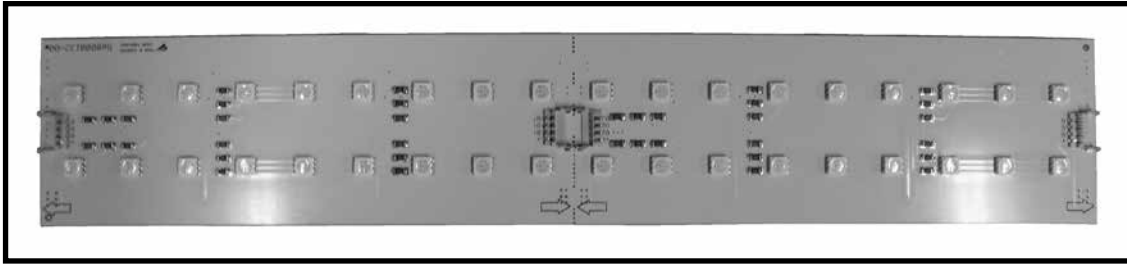


Figure 50: Individual LED section.

There are two rows of LED lights in this fire feature, one row on each side of the burner. Each row of LED lights is made of individual LED sections which can be joined together using bridge connectors to achieve the desired row length (Figure 51). Each row of sections also has its own main electrical connector (Figure 52).

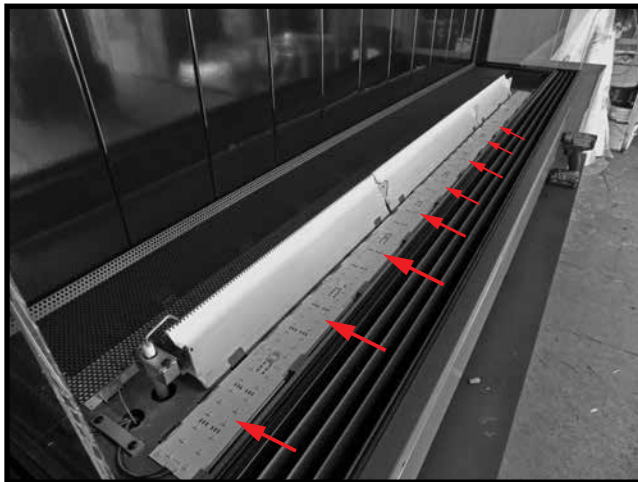


Figure 51: LED individual sections joined together.

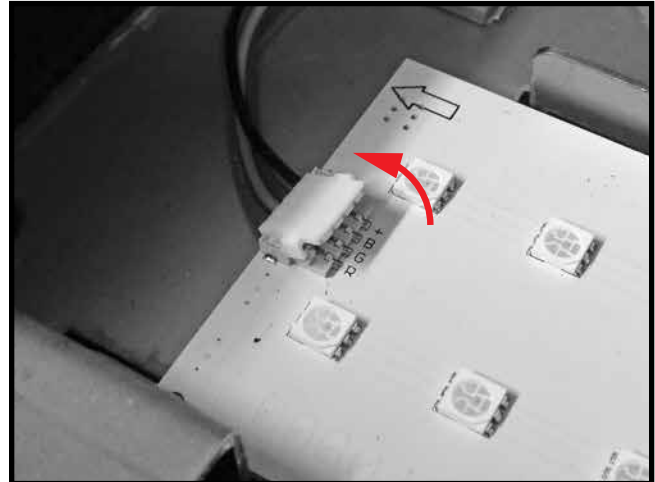


Figure 52: LED connector.

## Removing an LED section

1. To remove an individual LED section or sections, begin by disconnecting the main power to the fire feature at the main circuit breaker. Give time for the unit to cool down.
2. Remove the glass panels.
3. Remove the glass media and the relevant glass tray.
4. Disconnect the main electrical connection located on the left hand side of the fire feature by lifting the connector up as shown in.

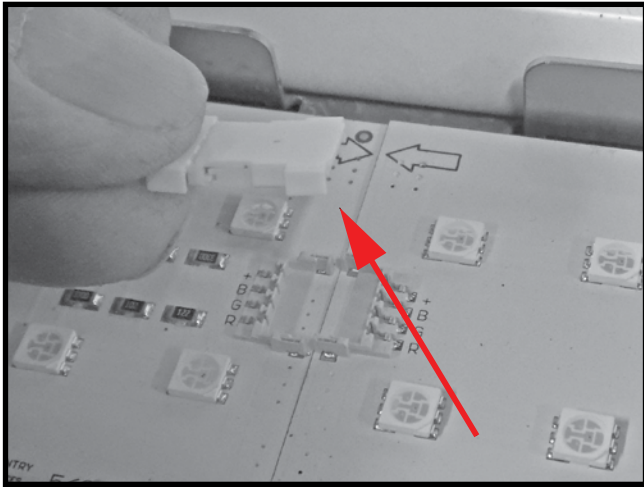


Figure 53: LED strip bridge connector.

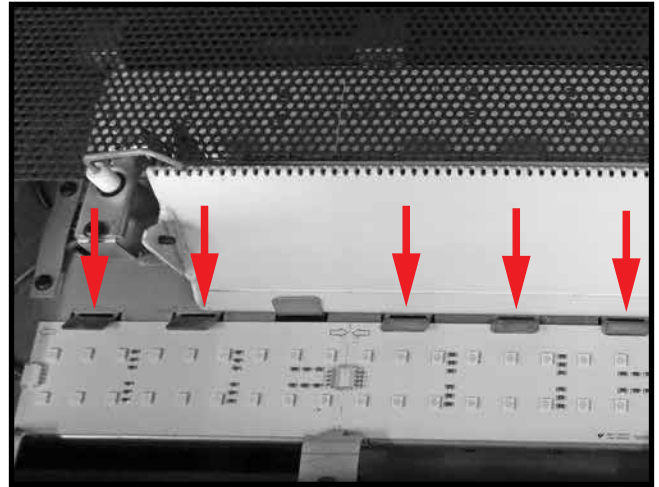


Figure 54: LED strip hold down tabs.

5. Remove the bridge connector of the LED section(s) to be replaced (Figure 53). These connector tabs lift up much like the main electrical connector. In this way, individual LED sections can be replaced without removing the entire row of LED sections from the fire feature.
6. The LED sections and rows are held in place by hold down tabs (Figure 54). These tabs can be lifted up so that the LED section can be removed.
7. When removing an individual LED section, lift up the side of the LED section next to the tabs that were just moved upwards and then remove the LED section (Figure 55).

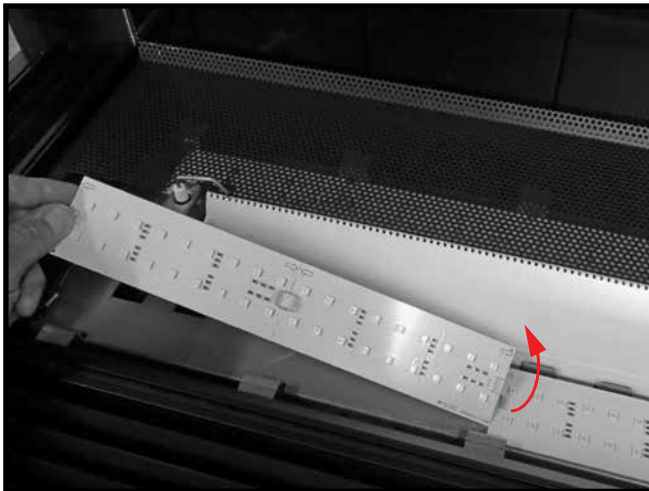


Figure 55: LED strip removal.



Figure 56: Arrows always meet.

**NOTE: When replacing an LED section, make sure that the arrows on the sections meet as shown in (Figure 56). Whether joining full sized sections to other full sized sections, or when joining a full sized section to a short section, the arrows must meet each other. As you stand in front of the fire feature, the arrows will be located on the sides of the sections furthest away from you.**

8. Reconnect the individual LED sections using a bridge connector as shown in (Figure 53).
9. Reconnect the main electrical connector as shown in (Figure 52).
10. Return the glass tray(s), glass media and glass panels to their original positions.

## Electrical Connection

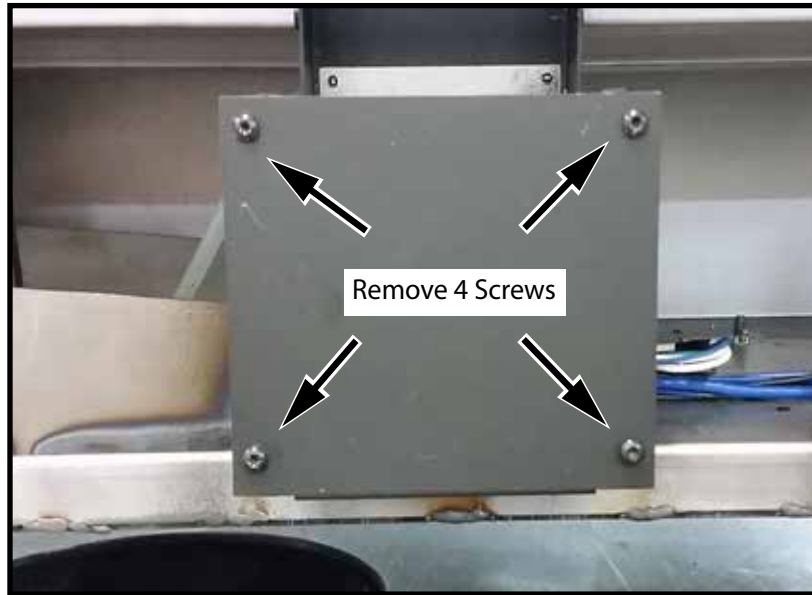


Figure 57: Electrical connection box cover.

Power to this unit is 120VAC. The electrical connection boxes are located behind a removable panel that runs the length of the lower side of the appliance. After the panel is removed, the electrical connection box cover can be removed to access the wiring. Once wiring is completed (Figure 57), power will be supplied to both the power vent and the main unit control module (Figure 57 and Figure 58).

The optional motorized dampers wiring is located behind the removable panel as well under the square cover (Figure 59). There will be a pair of wires for the appropriate number of dampers specified for the appliance. The CAT 5e cable is located here as well. Connect the Cat 5e cable to the control panel wall receptacle. Ensure the wiring strain relief clamps are snug and secure.

Re-attach the box covers, followed by the compartment panel when all wiring is complete.

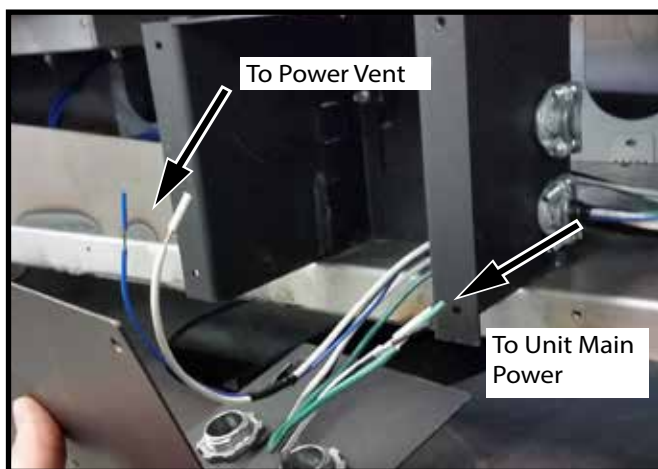


Figure 58: Inside of electrical connection box.

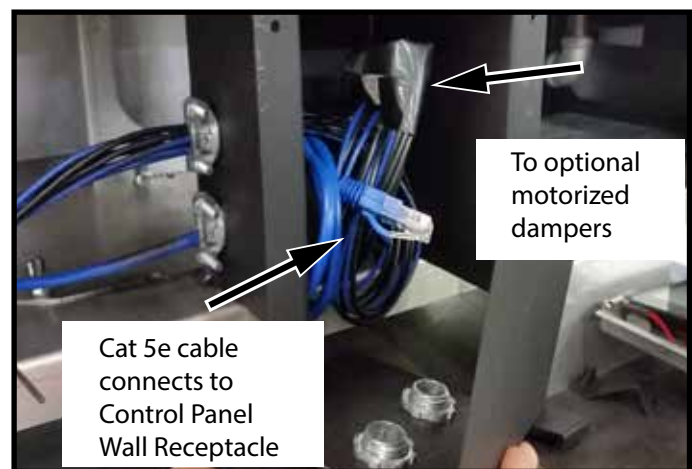


Figure 59: Motorized damper electrical connections.

# Electrical Diagram

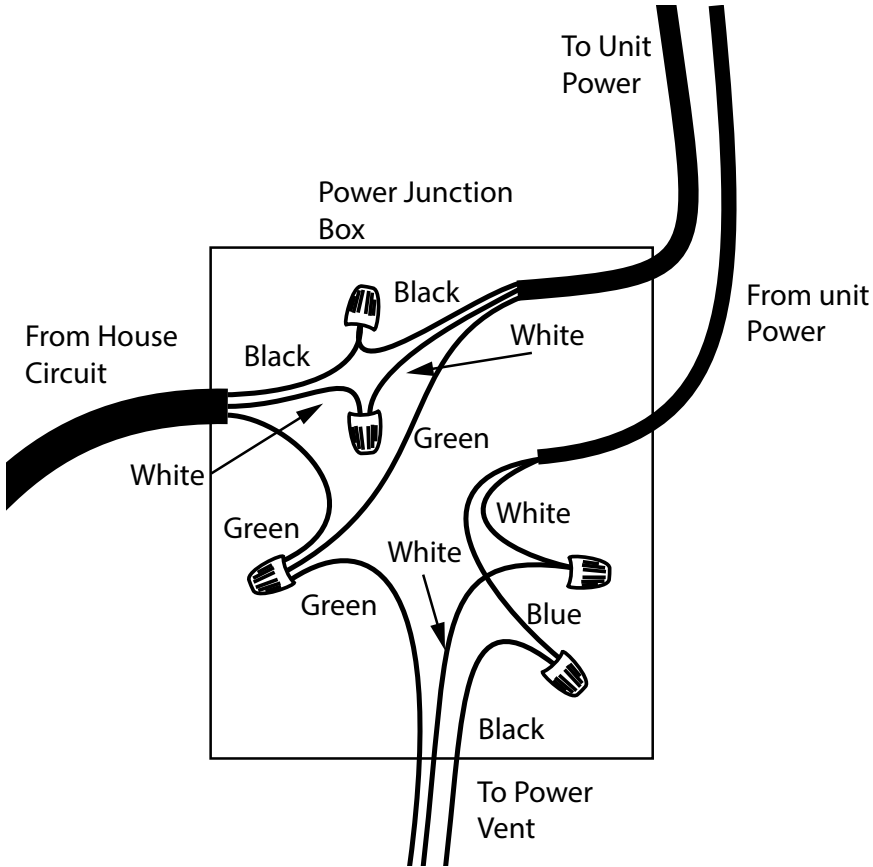


Figure 60: Wiring at fireplace - power.

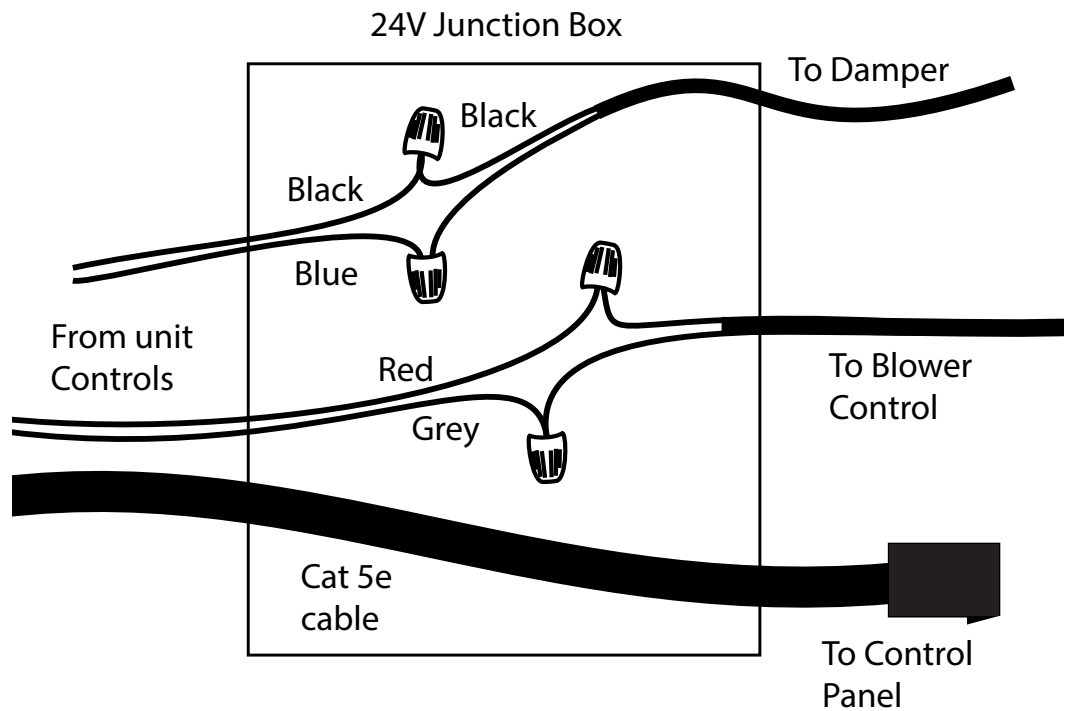


Figure 61: Wiring at fireplace - Dampers and controls.

## Control Panel Installation

**Please refer to the instructions included with your controls for installation.**

**NOTE:** The CAT5e cable has a maximum length of 50 feet and so the touch pad must be installed within this distance.

**NOTE:** Make sure that the ON/OFF switch is in the ON position before mounting the touch pad in its frame.

**NOTE:** Make sure that the AC power to this appliance is turned off before installing or servicing the touch pad.



## Gas Connection



Figure 62: Gas connection point.

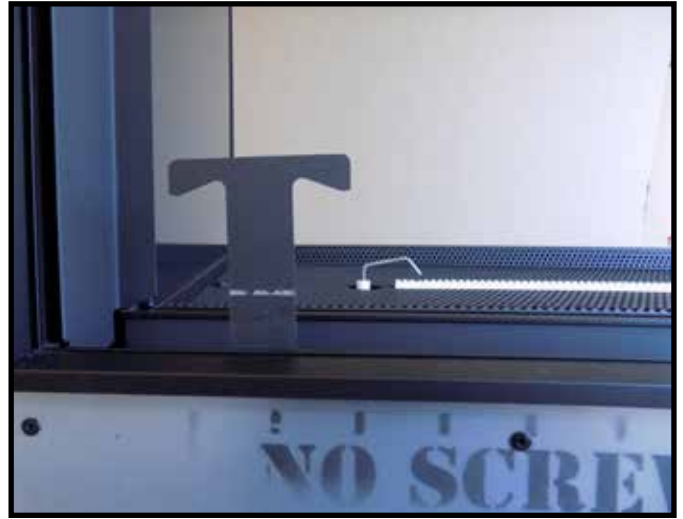


Figure 63: Gas valve shut off location.

All units ship with a multi-capped half inch NPT pipe for gas connection (Figure 62).

All units also ship with a gas valve shut-off (Figure 63). This shut-off handle is located in the opening between the inner and outer glass panes. Push this handle down before installing the outer glass panes.

## Gas Pressure Requirements

### Natural Gas

Gas pressure requirements	
<b>Input Pressure</b>	<b>Natural Gas</b>
Minimum	5.0" IN/WC (1.24 kPa)
Maximum	7.0" IN/WC (1.74 kPa)
<b>Manifold Pressure</b>	
Maximum	3.5" IN/WC (0.87 kPa)

### Liquid Propane Gas

Gas pressure requirements	
<b>Input Pressure</b>	<b>Liquid Propane Gas</b>
Minimum	12.5" IN/WC (3.11 kPa)
Maximum	13.9" IN/WC (3.45 kPa)
<b>Manifold Pressure</b>	
Maximum	11.0" IN/WC (2.73 kPa)

# Lighting Instructions

## FOR YOUR SAFETY READ BEFORE LIGHTING

**Warning:** If you do not follow these instructions exactly, a fire or explosion may result causing property damage, personal injury or loss of life.

A. **BEFORE LIGHTING:** smell all around the appliance area for gas. Be sure to smell next to the floor because some gas is heavier than air and will settle on the floor.

### WHAT TO DO IF YOU SMELL GAS:

- Do not try to light any appliance.
- Do not touch any electrical switch; do not use any phone in your building.
- Immediately call your gas supplier from a neighbour's phone. Follow the supplier's instructions.
- If you cannot reach your gas supplier, call the fire department.

B. Do not use this appliance if any part has been under water. Immediately call a qualified service technician to inspect the appliance & to replace any part of the control system & any gas control which has been under water.

## LIGHTING INSTRUCTIONS

1. STOP! Read the safety information above this label.
2. Move switch to "ON" position (unit will purge for 10 seconds)
3. The appliance will try igniting 3 times. If the appliance fails to ignite, the control will lock out.
4. Call your service technician or retailer to rectify the issue.

## TO TURN OFF GAS APPLIANCE

1. Move switch to the "OFF" position (unit will post-purge for 15 seconds).
2. Turn off all electrical power to the appliance if service is to be performed or for extended shutdown.

**CAUTION:** Hot while in operation. Do not touch. Severe burns may result. Keep children, clothing, furniture, gasoline and other liquids having flammable vapours away. Keep burner and control compartments clean. See installation and operating instructions accompanying the appliance.

**ATTENTION:** L'appareil est chaud lorsqu'il fonctionne. Ne pas toucher l'appareil. Risque de brûlures graves. Surveiller les enfants. Garder les vêtements, le meubles, l'essence ou autres liquides produisant des vapeurs inflammables loin de l'appareil. S'assurer que le brûleur et le compartiment des commandes sont propres. Voir les instructions d'installation et d'utilisation qui accompagnent l'appareil.



---

# Maintenance

---

## **CAUTION:**

**Turn off gas and electrical power supply (if applicable) and allow ample time for unit to cool before servicing appliance. It is recommended that the fire feature and its venting be inspected at least once a year by a qualified service person.**

## **GLASS PANEL:**

Warning: Do not operate fire feature with glass panel removed, cracked or broken. Replacement of the glass panel should be done by a licensed or qualified service person.

Do not strike or otherwise impact the glass in anyway that may cause it to break. If the glass becomes cracked or broken it must be replaced before using the fire feature. Replacement glass can be obtained from your nearest Town & Country Fireplaces dealer.

## **ANNUAL INSPECTION:**

- a) Remove glass panel and inspect the Burner and Igniter for soot build up. If excessive build up of soot is present, have a qualified service person inspect and adjust the unit for proper combustion.
- b) Check that the venting pipe and venting terminal are open and free from blockage or debris. If the venting is disassembled for cleaning, it must be properly assembled and re-sealed. Refer to VENTING section for proper procedure.

**Note: The appliance area must be kept clear and free from combustible materials, gasoline and other flammable vapours and liquids.**

## **Periodically:**

- a) Viewing glass may be cleaned as necessary with fireplace glass cleaner.

## **CAUTION:**

Do not use abrasive cleaners on glass or any other part of the fire feature.

Do not clean glass when hot.



---

## Replaceable Parts

---

ITEM No.	ITEM DESCRIPTION
80001338 .....	Switch Vacuum, .6" WC, Pellet / Architectural
80002698 .....	Touch Screen Display, Control Ver. 1.5 B, Architectural
80002335 .....	Burner Media, Non Reflective Glass, Ice, 4LB, Architectural
80002367 .....	Valve assembly with transducer / fittings, Architectural
80002368 .....	Pressure transducer, Architectural
80002369 .....	Ignition Module, Helifire / Architectural
80002370 .....	Transformer 24 volt, Architectural
80002371 .....	Transformer 12 volt, Architectural
80002372 .....	LED board short, Architectural
80002373 .....	LED board long, Architectural
80002374 .....	Suction cup, Architectural
80002379 .....	Toggle switch, Architectural



# Rating Labels



TOWN & COUNTRY  
FIREPLACES™

MODEL/  
MODELE: ■

3FT ARCHITECTURAL  
SERIES

SERIES/  
SERIE: A

MADE IN CANADA  
FABRIQUE AU CANADA

**VENTED GAS FIREPLACE - NOT FOR USE WITH SOLID FUEL  
FOYER AU GAZ À ÉVACUATION - NE PAS UTILISER AVEC DU  
COMBUSTIBLE SOLIDE**

**THIS IS A DECORATIVE PRODUCT AND IS NOT INTENDED  
TO BE USED AS A HEATING APPLIANCE.**

ANSI Z21.50 / CSA 2.22 (2016) Vented Decorative Gas Appliance.  
Certified for / Certifié pour Canada and U.S.A.

723

P.4.1-15 Efficiency: 9.9%

This Appliance is Equipped For Use With /  
Cet Appareil est Équipé Pour Utiliser Avec :

**NATURAL GAS /  
DU GAZ NATUREL** ■ **L.P. GAS /  
DU GAZ L.P.**

FOR USE WITH/ EN CASE D'EMPLOI AVEC:	NATURAL GAS/ DU GAZ NATUREL	L.P GAS/ DU GAZ L.P.
Minimum supply pressure / Pression minimum d'alimentation: (For the purpose of input adjustment / dans le but de régler l'alimentation) Maximum supply pressure / Pression maximum d'alimentation:	5.0 in/wc / 5.0 po/c.e. (1.24 kPa) 7.0 in/wc / 7.0 po/c.e. (1.74 kPa)	12.5 in/wc / 12.5 po/c.e. (3.11 kPa) 13.9 in/wc / 13.9 po/c.e. (3.45 kPa)
Manifold pressure / Pression de la tuyauterie: Maximum	3.50 in/wc / 3.50 po/c.e. (0.87 kPa)	11.0 in/wc / 13.9 po/c.e. (2.73 kPa)
Orifice Size / Diametre de l'injecteur:	NA X2	LA X2
Input BTU/hr (kW) / Entree BTU/h (kW):	Max.: 48,000 (14.06)	Max.: 48,000 (14.06)

Blower electrical rating: 115v, 60hz, 5.9 A / Normes electriques du ventilateur: 115v, 60hz, 5.9 A

This appliance equipped for altitudes 0 - 4500 ft. (0 - 1371.6 m) / Cet unité est conçu pour des altitudes variant entre 0 - 4500 pieds (0 - 1371.6 m). In Canada, also certified for installation in a bedroom or a bedsitting room / Aussi certifié pour installation dans une chambre à coucher ou une salle de séjour. This appliance must be installed in accordance with local codes, if any; if none, follow the current CAN/CGA-B149 (Canada), or ANSI Z223.1 (USA) Installation Codes. Installer l'appareil selon les codes ou règlements locaux, ou, en l'absence de tels règlements, selon les codes d'installation CAN/CGA-B149 (Canada), or ANSI Z223.1 (USA) en vigueur.

**MANUFACTURED (MOBILE) HOME:** This appliance is only for use with the type of gas indicated on the rating plate and may be installed in an aftermarket, permanently located, manufactured (mobile) home where not prohibited by local codes. See owners manual for details.  
**FABRIQUEZ (MOBILE) MAISON:** Cet appareil doit être utilisé uniquement avec le type de gaz indiqué sur la plaque signalétique et peut être installé dans une maison préfabriquée (mobile) installée à demeure si les règlements locaux le permettent. Voir la notice du propriétaire pour plus de détails. Cet appareil ne peut être converti à d'autres gaz sauf si une trousse de conversion certifiée est utilisée.  
Install in accordance with the current standard Mobile Homes, CAN/CSA Z240 MH (in CANADA), and the Manufacturer's Home Construction and Safety Standard, Title 24 CFR, Part 3280, or the current Standard for Fire Safety Criteria for Manufactured Home Installations, Sites, and Communities ANSI/NFPA 501A, (in the U.S.A.). Cet appareil doit être installé conformément aux exigences de la norme CAN/CSA Z240 MH en vigueur de l'ACNOR, Installations de gaz dans les Constructions Mobiles.

**FOR USE WITH THE GLASS CERTIFIED WITH THE APPLIANCE ONLY / POUR UTILISATION UNIQUEMENT AVEC LES PORTES IN VERRE  
CERTIFIÉES AVEC L'APPAREIL**

MINIMUM CLEARANCES TO COMBUSTIBLES / CLAIRANCES MINIMALES AVEC LES COMBUSTIBLE		
Left and Right side are determined when facing the front of the appliance. / Les côtés droit et gauche se déterminent en se mettant devant l'appareil et en lui faisant face.		
Top, Back and Side Standoffs / Sommet, Arrière et Côté Butée	0 in./ 0 po.	(0 mm)
Sidewall to Appliance / Du mur latéral à l'appareil	0 in./ 0 po.	(0 mm)
Ceiling to Appliance / Plafond à l'appareil	0 in./ 0 po.	(0 mm)
Mantel to Appliance / Du manteau à l'appareil	0 in./ 0 po.	(0 mm)
Maximum Mantel Extension / Allongement maximum du manteau	0 in./ 0 po.	(0 mm)
*See Installation Manual for more detail / Voyez des Directive de l'Installation pour plus détails.		
Mantel Supports / Supports du manteau	0 in./ 0 po.	(0 mm)
Vent Pipe / Déchargez le Tuyau	0 in./ 0 po.	(0 mm)

Pacific Energy  
Fireplace Products Ltd.  
Duncan, British Columbia,  
Canada

DATE OF MANUFACTURE				
JAN	FEB	MAR	APR	2018
MAY	JUN	JUL	AUG	2019
SEP	OCT	NOV	DEC	2020

**WARNING:** Improper installation, adjustment, alteration, service or maintenance can cause injury or property damage. Refer to the owner's information manual provided with this appliance. For assistance or additional information, consult a qualified installer, service agency or the gas supplier.

**AVERTISSEMENT:** Une installation, un réglage, une modification, une réparation ou un entretien mal effectué peut causer des dommages matériels ou des blessures. Voir la notice de l'utilisateur qui accompagne l'appareil. Pour de l'aide ou des renseignements supplémentaires, consultez un installateur, un technicien agréé ou le fournisseur de gaz.

101218

568000065

3FT Architectural Series



**VENTED GAS FIREPLACE - NOT FOR USE WITH SOLID FUEL  
FOYER AU GAZ À ÉVACUATION - NE PAS UTILISER AVEC DU  
COMBUSTIBLE SOLIDE**

**724**

**THIS IS A DECORATIVE PRODUCT AND IS NOT INTENDED  
TO BE USED AS A HEATING APPLIANCE.**

P.4.1-15 Efficiency: 11.4%

TOWN & COUNTRY  
FIREPLACES™

ANSI Z21.50 / CSA 2.22 (2016) Vented Decorative Gas Appliance.  
Certified for / Certifié pour Canada and U.S.A.

This Appliance is Equipped For Use With /  
Cet Appareil est Équipé Pour Utiliser Avec :

NATURAL GAS / DU GAZ NATUREL  L.P. GAS / DU GAZ L.P.

MODEL /  
MODELE:

4FT ARCHITECTURAL  
SERIES

SERIES /  
SERIE: **A**

MADE IN CANADA  
FABRIQUE AU CANADA

FOR USE WITH/ EN CASE D'EMPLOI AVEC:	NATURAL GAS/ DU GAZ NATUREL	L.P GAS/ DU GAZ L.P.
Minimum supply pressure / Pression minimum d'alimentation: (For the purpose of input adjustment / dans le but de régler l'alimentation)	5.0 in/wc / 5.0 po/c.e. (1.24 kPa)	12.5 in/wc / 12.5 po/c.e. (3.11 kPa)
Maximum supply pressure / Pression maximum d'alimentation:	7.0 in/wc / 7.0 po/c.e. (1.74 kPa)	13.9 in/wc / 13.9 po/c.e. (3.45 kPa)
Manifold pressure / Pression de la tuyauterie: Maximum	3.50 in/wc / 3.50 po/c.e. (0.87 kPa)	11.0 in/wc / 13.9 po/c.e. (2.73 kPa)
Orifice Size / Diametre de l'injecteur:	NB X2	LB X2
Input BTU/hr (kW) / Entree BTU/h (kW):	Max.: 64,000 (18.75)	Max.: 64,000 (18.75)

Blower electrical rating: 115v, 60hz, 5.9 A / Normes electriques du ventilateur: 115v, 60hz, 5.9 A

This appliance equipped for altitudes 0 - 4500 ft. (0 - 1371.6 m) / Cet unité est conçu pour des altitudes variant entre 0 - 4500 pieds (0 - 1371.6 m). In Canada, also certified for installation in a bedroom or a bedsitting room / Aussi certifié pour installation dans une chambre à coucher ou une salle de séjour. This appliance must be installed in accordance with local codes, if any; if none, follow the current CAN/CGA-B149 (Canada), or ANSI Z223.1 (USA) Installation Codes. Installer l'appareil selon les codes ou règlements locaux, ou, en l'absence de tels règlements, selon les codes d'installation CAN/CGA-B149 (Canada), or ANSI Z223.1 (USA) en vigueur.

**MANUFACTURED (MOBILE) HOME:** This appliance is only for use with the type of gas indicated on the rating plate and may be installed in an aftermarket, permanently located, manufactured (mobile) home where not prohibited by local codes. See owners manual for details.  
**FABRIQUEZ (MOBILE) MAISON:** Cet appareil doit être utilisé uniquement avec le type de gaz indiqué sur la plaque signalétique et peut être installé dans une maison préfabriquée (mobile) installée à demeure si les règlements locaux le permettent. Voir la notice du propriétaire pour plus de détails. Cet appareil ne peut être converti à d'autres gaz sauf si une trousse de conversion certifiée est utilisée.

Install in accordance with the current standard Mobile Homes, CAN/CSA Z240 MH (in CANADA), and the Manufacturer's Home Construction and Safety Standard, Title 24 CFR, Part 3280, or the current Standard for Fire Safety Criteria for Manufactured Home Installations, Sites, and Communities ANSI/NFPA 501A, (in the U.S.A.). Cet appareil doit être installé conformément aux exigences de la norme CAN/CSA Z240 MH en vigueur de l'ACNOR, Installations de gaz dans les Constructions Mobiles.

FOR USE WITH THE GLASS CERTIFIED WITH THE APPLIANCE ONLY / POUR UTILISATION UNIQUEMENT AVEC LES PORTES IN VERRE  
CERTIFIÉES AVEC L'APPAREIL

Pacific Energy  
Fireplace Products Ltd.  
Duncan, British Columbia,  
Canada

**MINIMUM CLEARANCES TO COMBUSTIBLES / CLAIRANCES MINIMALES AVEC LES COMBUSTIBLE**  
Left and Right side are determined when facing the front of the appliance. / Les côtés droit et gauche se déterminent en se mettant devant l'appareil et en lui faisant face.

Top, Back and Side Standoffs / Sommet, Arrière et Côté Butée	0 in./ 0 po.	(0 mm)
Sidewall to Appliance / Du mur latéral a l'appareil	0 in./ 0 po.	(0 mm)
Ceiling to Appliance / Plafond a l'appareil	0 in./ 0 po.	(0 mm)
Mantel to Appliance / Du manteau a l'appareil	0 in./ 0 po.	(0 mm)
Maximum Mantel Extension / Allongement maximum du manteau *See Installation Manual for more detail / Voyez des Directive de l'Installation pour plus détails.	0 in./ 0 po.	(0 mm)
Mantel Supports / Supports du manteau	0 in./ 0 po.	(0 mm)
Vent Pipe / Déchargez le Tuyau	0 in./ 0 po.	(0 mm)

**DATE OF MANUFACTURE**

JAN	FEB	MAR	APR	2018
MAY	JUN	JUL	AUG	2019
SEP	OCT	NOV	DEC	2020

**WARNING:** Improper installation, adjustment, alteration, service or maintenance can cause injury or property damage. Refer to the owner's information manual provided with this appliance. For assistance or additional information, consult a qualified installer, service agency or the gas supplier.

**AVERTISSEMENT:** Une installation, un réglage, une modification, une réparation ou un entretien mal effectué peut causer des dommages matériels ou des blessures. Voir la notice de l'utilisateur qui accompagne l'appareil. Pour de l'aide ou des renseignements supplémentaires, consultez un installateur, un technicien agréé ou le fournisseur de gaz.

101218

568000066

4FT Architectural Series





TOWN & COUNTRY  
FIREPLACES™

MODEL /  
MODELE: ■

5FT ARCHITECTURAL  
SERIES

SERIES /  
SERIE: A

MADE IN CANADA  
FABRIQUE AU CANADA

**VENTED GAS FIREPLACE - NOT FOR USE WITH SOLID FUEL  
FOYER AU GAZ À ÉVACUATION - NE PAS UTILISER AVEC DU  
COMBUSTIBLE SOLIDE**

**725**

P.4.1-15 Efficiency: 12.8%

**THIS IS A DECORATIVE PRODUCT AND IS NOT INTENDED  
TO BE USED AS A HEATING APPLIANCE.**

ANSI Z21.50 / CSA 2.22 (2016) Vented Decorative Gas Appliance.  
Certified for / Certifié pour Canada and U.S.A.

This Appliance is Equipped For Use With /  
Cet Appareil est Équipé Pour Utilisé Avec :

NATURAL GAS / L.P. GAS /  
DU GAZ NATUREL ■ DU GAZ L.P.

FOR USE WITH/ EN CASE D'EMPLOI AVEC:	NATURAL GAS/ DU GAZ NATUREL	L.P GAS/ DU GAZ L.P.
Minimum supply pressure / Pression minimum d'alimentation: (For the purpose of input adjustment / dans le but de régler l'alimentation)	5.0 in/wc / 5.0 po/c.e. (1.24 kPa)	12.5 in/wc / 12.5 po/c.e. (3.11 kPa)
Maximum supply pressure / Pression maximum d'alimentation:	7.0 in/wc / 7.0 po/c.e. (1.74 kPa)	13.9 in/wc / 13.9 po/c.e. (3.45 kPa)
Manifold pressure / Pression de la tuyauterie: Maximum	3.50 in/wc / 3.50 po/c.e. (0.87 kPa)	11.0 in/wc / 13.9 po/c.e. (2.73 kPa)
Orifice Size / Diametre de l'injecteur:	NA X2 & NB X1	LA X2 & LB X1
Input BTU/hr (kW) / Entree BTU/h (kW):	Max.: 80,000 (23.44)	Max.: 80,000 (23.44)

Blower electrical rating: 115v, 60hz, 5.9 A / Normes electriques du ventilateur: 115v, 60hz, 5.9 A  
This appliance equipped for altitudes 0 - 4500 ft. (0 - 1371.6 m) / Cet unité est conçu pour des altitudes variant entre 0 - 4500 pieds (0 - 1371.6 m). In Canada, also certified for installation in a bedroom or a bedsitting room / Aussi certifié pour installation dans une chambre à coucher ou une salle de séjour. This appliance must be installed in accordance with local codes, if any; if none, follow the current CAN/CGA-B149 (Canada), or ANSI Z223.1 (USA) Installation Codes. Installer l'appareil selon les codes ou règlements locaux, ou, en l'absence de tels règlements, selon les codes d'installation CAN/CGA-B149 (Canada), or ANSI Z223.1 (USA) en vigueur.

MANUFACTURED (MOBILE) HOME: This appliance is only for use with the type of gas indicated on the rating plate and may be installed in an aftermarket, permanently located, manufactured (mobile) home where not prohibited by local codes. See owners manual for details.  
FABRIQUEZ (MOBILE) MAISON: Cet appareil doit être utilisé uniquement avec le type de gaz indiqué sur la plaque signalétique et peut être installé dans une maison préfabriquée (mobile) installée à demeure si les règlements locaux le permettent. Voir la notice du propriétaire pour plus de détails. Cet appareil ne peut être converti à d'autres gaz sauf si une trousse de conversion certifiée est utilisée.

Install in accordance with the current standard Mobile Homes, CAN/CSA Z240 MH (in CANADA), and the Manufacturer's Home Construction and Safety Standard, Title 24 CFR, Part 3280, or the current Standard for Fire Safety Criteria for Manufactured Home Installations, Sites, and Communities ANSI/NFPA 501A, (in the U.S.A.). Cet appareil doit être installé conformément aux exigences de la norme CAN/CSA Z240 MH en vigueur de l'ACNOR, Installations de gaz dans les Constructions Mobiles.

FOR USE WITH THE GLASS CERTIFIED WITH THE APPLIANCE ONLY / POUR UTILISATION UNIQUEMENT AVEC LES PORTES IN VERRE  
CERTIFIÉES AVEC L'APPAREIL

MINIMUM CLEARANCES TO COMBUSTIBLES / CLAIRANCES MINIMALES AVEC LES COMBUSTIBLE		
Left and Right side are determined when facing the front of the appliance. / Les côtés droit et gauche se déterminent en se mettant devant l'appareil et en lui faisant face.		
Top, Back and Side Standoffs / Sommet, Arrière et Côté Butée	0 in./ 0 po.	(0 mm)
Sidewall to Appliance / Du mur latéral a l'appareil	0 in./ 0 po.	(0 mm)
Ceiling to Appliance / Plafond a l'appareil	0 in./ 0 po.	(0 mm)
Mantel to Appliance / Du manteau al'appareil	0 in./ 0 po.	(0 mm)
Maximum Mantel Extension / Allongement maximum du manteau	0 in./ 0 po.	(0 mm)
*See Installation Manual for more detail / Voyez des Directive de l'Installation pour plus détails.		
Mantel Supports / Supports du manteau	0 in./ 0 po.	(0 mm)
Vent Pipe / Déchargez le Tuyau	0 in./ 0 po.	(0 mm)

Pacific Energy  
Fireplace Products Ltd.  
Duncan, British Columbia,  
Canada

DATE OF MANUFACTURE				
JAN	FEB	MAR	APR	2018
MAY	JUN	JUL	AUG	2019
SEP	OCT	NOV	DEC	2020

**WARNING:** Improper installation, adjustment, alteration, service or maintenance can cause injury or property damage. Refer to the owner's information manual provided with this appliance. For assistance or additional information, consult a qualified installer, service agency or the gas supplier.

**AVERTISSEMENT:** Une installation, un réglage, une modification, une réparation ou un entretien mal effectué peut causer des dommages matériels ou des blessures. Voir la notice de l'utilisateur qui accompagne l'appareil. Pour de l'aide ou des renseignements supplémentaires, consultez un installateur, un technicien agréé ou le fournisseur de gaz.

101218

56800067

5FT Architectural Series



TOWN & COUNTRY  
FIREPLACES™

MODEL/ MODELE: ■

6FT ARCHITECTURAL  
SERIES

SERIES/ SERIE: A

MADE IN CANADA  
FABRIQUE AU CANADA

**VENTED GAS FIREPLACE - NOT FOR USE WITH SOLID FUEL  
FOYER AU GAZ À ÉVACUATION - NE PAS UTILISER AVEC DU  
COMBUSTIBLE SOLIDE**

726

P.4.1-15 Efficiency: 14.3%

**THIS IS A DECORATIVE PRODUCT AND IS NOT INTENDED  
TO BE USED AS A HEATING APPLIANCE.**

ANSI Z21.50 / CSA 2.22 (2016) Vented Decorative Gas Appliance.  
Certified for / Certifié pour Canada and U.S.A.

This Appliance is Equipped For Use With /  
Cet Appareil est Équipé Pour Utiliser Avec :

NATURAL GAS / L.P. GAS /  
DU GAZ NATUREL ■ DU GAZ L.P.

FOR USE WITH/ EN CAS D'EMPLOI AVEC:	NATURAL GAS/ DU GAZ NATUREL	L.P. GAS/ DU GAZ L.P.
Minimum supply pressure / Pression minimum d'alimentation: (For the purpose of input adjustment / dans le but de régler l'alimentation) Maximum supply pressure / Pression maximum d'alimentation:	5.0 in/wc / 5.0 po/c.e. (1.24 kPa) 7.0 in/wc / 7.0 po/c.e. (1.74 kPa)	12.5 in/wc / 12.5 po/c.e. (3.11 kPa) 13.9 in/wc / 13.9 po/c.e. (3.45 kPa)
Manifold pressure / Pression de la tuyauterie: Maximum	3.50 in/wc / 3.50 po/c.e. (0.87 kPa)	11.0 in/wc / 13.9 po/c.e. (2.73 kPa)
Orifice Size / Diametre de l'injecteur:	NB X3	LB X3
Input BTU/hr (kW) / Entree BTU/h (kW):	Max.: 96,000 (28.13)	Max.: 96,000 (28.13)

Blower electrical rating: 115v, 60hz, 5.9 A / Normes electriques du ventilateur: 115v, 60hz, 5.9 A

This appliance equipped for altitudes 0 - 4500 ft. (0 - 1371.6 m) / Cet unité est conçu pour des altitudes variant entre 0 - 4500 pieds (0 - 1371.6 m). In Canada, also certified for installation in a bedroom or a bedsitting room / Aussi certifié pour installation dans une chambre à coucher ou une salle de séjour. This appliance must be installed in accordance with local codes, if any; if none, follow the current CAN/CGA-B149 (Canada), or ANSI Z223.1 (USA) Installation Codes. Installer l'appareil selon les codes ou règlements locaux, ou, en l'absence de tels règlements, selon les codes d'installation CAN/CGA-B149 (Canada), or ANSI Z223.1 (USA) en vigueur.

**MANUFACTURED (MOBILE) HOME:** This appliance is only for use with the type of gas indicated on the rating plate and may be installed in an aftermarket, permanently located, manufactured (mobile) home where not prohibited by local codes. See owners manual for details.  
**FABRIQUEZ (MOBILE) MAISON:** Cet appareil doit être utilisé uniquement avec le type de gaz indiqué sur la plaque signalétique et peut être installé dans une maison préfabriquée (mobile) installée à demeure si les règlements locaux le permettent. Voir la notice du propriétaire pour plus de détails. Cet appareil ne peut être converti à d'autres gaz sauf si une trousse de conversion certifiée est utilisée.  
Install in accordance with the current standard Mobile Homes, CAN/CSA Z240 MH (in CANADA), and the Manufacturer's Home Construction and Safety Standard, Title 24 CFR, Part 3280, or the current Standard for Fire Safety Criteria for Manufactured Home Installations, Sites, and Communities ANSI/NFPA 501A, (in the U.S.A.). Cet appareil doit être installé conformément aux exigences de la norme CAN/CSA Z240 MH en vigueur de l'ACNOR, Installations de gaz dans les Constructions Mobiles.

**FOR USE WITH THE GLASS CERTIFIED WITH THE APPLIANCE ONLY / POUR UTILISATION UNIQUEMENT AVEC LES PORTES IN VERRE  
CERTIFIÉES AVEC L'APPAREIL**

MINIMUM CLEARANCES TO COMBUSTIBLES / CLAIRANCES MINIMALES AVEC LES COMBUSTIBLE		
Left and Right side are determined when facing the front of the appliance. / Les côtés droit et gauche se déterminent en se mettant devant l'appareil et en lui faisant face.		
Top, Back and Side Standoffs / Sommet, Arrière et Côté Butée	0 in./ 0 po.	(0 mm)
Sidewall to Appliance / Du mur latéral à l'appareil	0 in./ 0 po.	(0 mm)
Ceiling to Appliance / Plafond à l'appareil	0 in./ 0 po.	(0 mm)
Mantel to Appliance / Du manteau à l'appareil	0 in./ 0 po.	(0 mm)
Maximum Mantel Extension / Allongement maximum du manteau	0 in./ 0 po.	(0 mm)
*See Installation Manual for more detail / Voyez des Directive de l'Installation pour plus détails.		
Mantel Supports / Supports du manteau	0 in./ 0 po.	(0 mm)
Vent Pipe / Déchargez le Tuyau	0 in./ 0 po.	(0 mm)

**WARNING:** Improper installation, adjustment, alteration, service or maintenance can cause injury or property damage. Refer to the owner's information manual provided with this appliance. For assistance or additional information, consult a qualified installer, service agency or the gas supplier.

**AVERTISSEMENT:** Une installation, un réglage, une modification, une réparation ou un entretien mal effectué peut causer des dommages matériels ou des blessures. Voir la notice de l'utilisateur qui accompagne l'appareil. Pour de l'aide ou des renseignements supplémentaires, consultez un installateur, un technicien agréé ou le fournisseur de gaz.

101218

568000068

Pacific Energy  
Fireplace Products Ltd.  
Duncan, British Columbia,  
Canada

DATE OF MANUFACTURE				
JAN	FEB	MAR	APR	2018
MAY	JUN	JUL	AUG	2019
SEP	OCT	NOV	DEC	2020

6FT Architectural Series





TOWN & COUNTRY  
FIREPLACES™

MODEL /  
MODELE: ■

7FT ARCHITECTURAL  
SERIES

SERIES /  
SERIE: A

MADE IN CANADA  
FABRIQUE AU CANADA

**VENTED GAS FIREPLACE - NOT FOR USE WITH SOLID FUEL  
FOYER AU GAZ À ÉVACUATION - NE PAS UTILISER AVEC DU  
COMBUSTIBLE SOLIDE**

727

P.4.1-15 Efficiency: 15.7%

**THIS IS A DECORATIVE PRODUCT AND IS NOT INTENDED  
TO BE USED AS A HEATING APPLIANCE.**

ANSI Z21.50 / CSA 2.22 (2016) Vented Decorative Gas Appliance.

Certified for / Certifié pour Canada and U.S.A.

This Appliance is Equipped For Use With /  
Cet Appareil est Équipé Pour Utiliser Avec :

NATURAL GAS / L.P. GAS /  
DU GAZ NATUREL ■ DU GAZ L.P.

FOR USE WITH/ EN CASE D'EMPLOI AVEC:	NATURAL GAS/ DU GAZ NATUREL	L.P GAS/ DU GAZ L.P.
Minimum supply pressure / Pression minimum d'alimentation: (For the purpose of input adjustment / dans le but de régler l'alimentation)	5.0 in/wc / 5.0 po/c.e. (1.24 kPa)	12.5 in/wc / 12.5 po/c.e. (3.11 kPa)
Maximum supply pressure / Pression maximum d'alimentation:	7.0 in/wc / 7.0 po/c.e. (1.74 kPa)	13.9 in/wc / 13.9 po/c.e. (3.45 kPa)
Manifold pressure / Pression de la tuyauterie: Maximum	3.50 in/wc / 3.50 po/c.e. (0.87 kPa)	11.0 in/wc / 13.9 po/c.e. (2.73 kPa)
Orifice Size / Diametre de l'injecteur:	NA X2 & NB X2	LA X2 & LB X2
Input BTU/hr (kW) / Entree BTU/h (kW):	Max.: 112,000 (32.82)	Max.: 112,000 (32.82)

Blower electrical rating: 115v, 60hz, 5.9 A / Normes electriques du ventilateur: 115v, 60hz, 5.9 A

This appliance equipped for altitudes 0 - 4500 ft. (0 - 1371.6 m) / Cet unité est conçu pour des altitudes variant entre 0 - 4500 pieds (0 - 1371.6 m). In Canada, also certified for installation in a bedroom or a bedsitting room / Aussi certifié pour installation dans une chambre à coucher ou une salle de séjour. This appliance must be installed in accordance with local codes, if any; if none, follow the current CAN/CGA-B149 (Canada), or ANSI Z223.1 (USA) Installation Codes. Installer l'appareil selon les codes ou règlements locaux, ou, en l'absence de tels règlements, selon les codes d'installation CAN/CGA-B149 (Canada), or ANSI Z223.1 (USA) en vigueur.

**MANUFACTURED (MOBILE) HOME:** This appliance is only for use with the type of gas indicated on the rating plate and may be installed in an aftermarket, permanently located, manufactured (mobile) home where not prohibited by local codes. See owners manual for details.

**FABRIQUEZ (MOBILE) MAISON:** Cet appareil doit être utilisé uniquement avec le type de gaz indiqué sur la plaque signalétique et peut être installé dans une maison préfabriquée (mobile) installée à demeure si les règlements locaux le permettent. Voir la notice du propriétaire pour plus de détails. Cet appareil ne peut être converti à d'autres gaz sauf si une trousse de conversion certifiée est utilisée.

Install in accordance with the current standard Mobile Homes, CAN/CSA Z240 MH (in CANADA), and the Manufacturer's Home Construction and Safety Standard, Title 24 CFR, Part 3280, or the current Standard for Fire Safety Criteria for Manufactured Home Installations, Sites, and Communities ANSI/NFPA 501A, (in the U.S.A.). Cet appareil doit être installé conformément aux exigences de la norme CAN/CSA Z240 MH en vigueur de l'ACNOR, Installations de gaz dans les Constructions Mobiles.

**FOR USE WITH THE GLASS CERTIFIED WITH THE APPLIANCE ONLY / POUR UTILISATION UNIQUEMENT AVEC LES PORTES IN VERRE  
CERTIFIÉES AVEC L'APPAREIL**

**MINIMUM CLEARANCES TO COMBUSTIBLES / CLAIRANCES MINIMALES AVEC LES COMBUSTIBLE**  
Left and Right side are determined when facing the front of the appliance. / Les côtés droit et gauche se déterminent en se mettant devant l'appareil et en lui faisant face.

Top, Back and Side Standoffs / Sommet, Arrière et Côté Butée	0 in./ 0 po.	(0 mm)
Sidewall to Appliance / Du mur latéral a l'appareil	0 in./ 0 po.	(0 mm)
Ceiling to Appliance / Plafond a l'appareil	0 in./ 0 po.	(0 mm)
Mantel to Appliance / Du manteau a l'appareil	0 in./ 0 po.	(0 mm)
Maximum Mantel Extension / Allongement maximum du manteau *See Installation Manual for more detail / Voyez des Directive de l'Installation pour plus détails.	0 in./ 0 po.	(0 mm)
Mantel Supports / Supports du manteau	0 in./ 0 po.	(0 mm)
Vent Pipe / Déchargez le Tuyau	0 in./ 0 po.	(0 mm)

**WARNING:** Improper installation, adjustment, alteration, service or maintenance can cause injury or property damage. Refer to the owner's information manual provided with this appliance. For assistance or additional information, consult a qualified installer, service agency or the gas supplier.

**AVERTISSEMENT:** Une installation, un réglage, une modification, une réparation ou un entretien mal effectué peut causer des dommages matériels ou des blessures. Voir la notice de l'utilisateur qui accompagne l'appareil. Pour de l'aide ou des renseignements supplémentaires, consultez un installateur, un technicien agréé ou le fournisseur de gaz.

101218

568000069

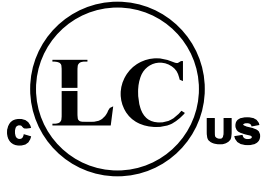
Pacific Energy  
Fireplace Products Ltd.  
Duncan, British Columbia,  
Canada

DATE OF MANUFACTURE				
JAN	FEB	MAR	APR	2018
MAY	JUN	JUL	AUG	2019
SEP	OCT	NOV	DEC	2020

7FT Architectural Series



Architectural Series



**VENTED GAS FIREPLACE - NOT FOR USE WITH SOLID FUEL  
FOYER AU GAZ À ÉVACUATION - NE PAS UTILISER AVEC DU  
COMBUSTIBLE SOLIDE**

**728**

ANSI Z21.50 / CSA 2.22 (2016) Vented Decorative Gas Appliance.

TOWN & COUNTRY FIREPLACES™ Certified for / Certifié pour Canada and U.S.A.

This Appliance is Equipped For Use With /  
Cet Appareil est Équipé Pour Utiliser Avec :

**NATURAL GAS / DU GAZ NATUREL**  **L.P. GAS / DU GAZ L.P.**

**MODEL / MODELE:**   
**8FT ARCHITECTURAL SERIES**

**SERIES / SERIE:** **A**

**MADE IN CANADA  
FABRIQUE AU CANADA**

<b>FOR USE WITH/ EN CASE D'EMPLOI AVEC:</b>	<b>NATURAL GAS/ DU GAZ NATUREL</b>	<b>L.P GAS/ DU GAZ L.P.</b>
<b>Minimum supply pressure / Pression minimum d'alimentation:</b> (For the purpose of input adjustment / dans le but de régler l'alimentation)	5.0 in/wc / 5.0 po/c.e. (1.24 kPa)	12.5 in/wc / 12.5 po/c.e. (3.11 kPa)
<b>Maximum supply pressure / Pression maximum d'alimentation:</b>	7.0 in/wc / 7.0 po/c.e. (1.74 kPa)	13.9 in/wc / 13.9 po/c.e. (3.45 kPa)
<b>Manifold pressure / Pression de la tuyauterie: Maximum</b>	3.50 in/wc / 3.50 po/c.e. (0.87 kPa)	11.0 in/wc / 13.9 po/c.e. (2.73 kPa)
<b>Orifice Size / Diametre de l'injecteur:</b>	<b>NB X4</b>	<b>LB X4</b>
<b>Input BTU/hr (kW) / Entree BTU/h (kW):</b>	<b>Max.: 128,000 (37.51)</b>	<b>Max.: 128,000 (37.51)</b>

Blower electrical rating: 115v, 60hz, 5.9 A / Normes electriques du ventilateur: 115v, 60hz, 5.9 A  
This appliance equipped for altitudes 0 - 4500 ft. (0 - 1371.6 m) / Cet unité est conçu pour des altitudes variant entre 0 - 4500 pieds (0 - 1371.6 m). In Canada, also certified for installation in a bedroom or a bedsitting room / Aussi certifié pour installation dans une chambre à coucher ou une salle de séjour. This appliance must be installed in accordance with local codes, if any; if none, follow the current CAN/CGA-B149 (Canada), or ANSI Z223.1 (USA) Installation Codes. Installer l'appareil selon les codes ou règlements locaux, ou, en l'absence de tels règlements, selon les codes d'installation CAN/CGA-B149 (Canada), or ANSI Z223.1 (USA) en vigueur.

**MANUFACTURED (MOBILE) HOME:** This appliance is only for use with the type of gas indicated on the rating plate and may be installed in an aftermarket, permanently located, manufactured (mobile) home where not prohibited by local codes. See owners manual for details.  
**FABRIQUEZ (MOBILE) MAISON:** Cet appareil doit être utilisé uniquement avec le type de gaz indiqué sur la plaque signalétique et peut être installé dans une maison préfabriquée (mobile) installée à demeure si les règlements locaux le permettent. Voir la notice du propriétaire pour plus de détails. Cet appareil ne peut être converti à d'autres gaz sauf si une trousse de conversion certifiée est utilisée.  
Install in accordance with the current standard Mobile Homes, CAN/CSA Z240 MH (in CANADA), and the Manufacturer's Home Construction and Safety Standard, Title 24 CFR, Part 3280, or the current Standard for Fire Safety Criteria for Manufactured Home Installations, Sites, and Communities ANSI/NFPA 501A, (in the U.S.A.). Cet appareil doit être installé conformément aux exigences de la norme CAN/CSA Z240 MH en vigueur de l'ACNOR, Installations de gaz dans les Constructions Mobiles.

**FOR USE WITH THE GLASS CERTIFIED WITH THE APPLIANCE ONLY / POUR UTILISATION UNIQUEMENT AVEC LES PORTES IN VERRE CERTIFIÉES AVEC L'APPAREIL**

**Pacific Energy  
Fireplace Products Ltd.  
Duncan, British Columbia,  
Canada**

<b>MINIMUM CLEARANCES TO COMBUSTIBLES / CLAIRANCES MINIMALES AVEC LES COMBUSTIBLE</b>		
Left and Right side are determined when facing the front of the appliance. / Les côtés droit et gauche se déterminent en se mettant devant l'appareil et en lui faisant face.		
Top, Back and Side Standoffs / Sommet, Arrière et Côté Butée	0 in./ 0 po.	(0 mm)
Sidewall to Appliance / Du mur latéral a l'appareil	0 in./ 0 po.	(0 mm)
Ceiling to Appliance / Plafond a l'appareil	0 in./ 0 po.	(0 mm)
Mantel to Appliance / Du manteau a l'appareil	0 in./ 0 po.	(0 mm)
Maximum Mantel Extension / Allongement maximum du manteau *See Installation Manual for more detail / Voyez des Directive de l'Installation pour plus détails.	0 in./ 0 po.	(0 mm)
Mantel Supports / Supports du manteau	0 in./ 0 po.	(0 mm)
Vent Pipe / Déchargez le Tuyau	0 in./ 0 po.	(0 mm)

<b>DATE OF MANUFACTURE</b>				
JAN	FEB	MAR	APR	2017
MAY	JUN	JUL	AUG	2018
SEP	OCT	NOV	DEC	2019

**WARNING:** Improper installation, adjustment, alteration, service or maintenance can cause injury or property damage. Refer to the owner's information manual provided with this appliance. For assistance or additional information, consult a qualified installer, service agency or the gas supplier.

**AVERTISSEMENT:** Une installation, un réglage, une modification, une réparation ou un entretien mal effectué peut causer des dommages matériels ou des blessures. Voir la notice de l'utilisateur qui accompagne l'appareil. Pour de l'aide ou des renseignements supplémentaires, consultez un installateur, un technicien agréé ou le fournisseur de gaz.

290517

568000070

8FT Architectural Series

© 2019 Copyright Pacific Energy Fireplace Products LTD

Reproduction, adaptation, or translation  
without prior written permission is prohibited,  
except as allowed under the copyright laws.



TOWN & COUNTRY  
L U X U R Y F I R E P L A C E S

**For technical support, contact your retailer.**

**Web site: [www.townandcountryfireplaces.com](http://www.townandcountryfireplaces.com)  
2975 Allenby Rd., Duncan, BC V9L 6V8**