

## *The Architectural Series*

BY TOWN & COUNTRY



CONFIGURATION

Single Sided



### FOR YOUR SAFETY

Installation and service must be performed by a qualified installer, service agency or the gas supplier.

### WHAT TO DO IF YOU SMELL GAS

- Do not try to light any appliance.
- Do not touch any electrical switch.
- Do not use any phone in your building.
- Immediately call your gas supplier from a neighbour's phone. Follow the gas supplier's instructions.
- If you cannot reach your gas supplier call the fire department.

Do not store or use gasoline or other flammable vapors and liquids in the vicinity of this or any other appliance.

This is a decorative product and is not intended to be used as a heating appliance.

This appliance is suitable for installation in a bedroom or bed sitting room.

This appliance may be installed in an aftermarket permanently located, manufactured home (USA only) or mobile home, where not prohibited by local codes. This appliance is only for use with the type of gas indicated on the rating plate. This appliance is not convertible for use with other gases, unless a certified kit is used.

**WARNING:** If the information in these instructions is not followed exactly, a fire or explosion may result causing property damage, personal injury or death.



**INSTALLER:** Leave this manual with the appliance.  
**CONSUMER:** Retain this manual for future reference.

---

# Table of Contents

---

## Contents

Table of Contents .....	2
Caution .....	3
Safety .....	3
Important Note for the Commonwealth of Massachusetts .....	4
Congratulations on your Town & Country purchase .....	5
Installation Requirements/Appliance Specifications .....	5
Installation Requirements .....	5
Vent Terminal Minimum Clearances .....	6
Minimum Clearances to Combustible Material .....	7
Appliance Dimensions .....	8
Top Intake model.....	8
Bottom Intake model.....	9
Btu Values and Weights .....	10
Minimum Clearances to Combustible Material .....	10
Locating the Unit .....	11
Framing and Finishing .....	13
Framing.....	15
Facing Material.....	16
Venting Configuration .....	17
Venting plenum.....	17
NOTE: Plenum must not be shared with other appliances. ....	17
Venting Specifications .....	19
Air Intake .....	21
Optional Motorized Damper .....	23
Power Vent .....	24
Power Vent Dimensions .....	25
Vertical Installation .....	25
Horizontal Installation .....	26
Vent Terminal Clearance .....	27
Power Vent Wiring .....	27
Flush Mount Power Vent Dimensions .....	28
Framing the Flush Mount Power Vent .....	29
Flush Mount Electrical Connection .....	30
Baffle Adjustment .....	31
Black Glass Option Installation .....	32
Glass Burner Media Installation .....	34
Front Glass Plates Installation .....	35
Inner Glass Plate Installation .....	35
Outer Glass Plate Installation .....	37
Electrical Connection .....	38
Electrical Diagram .....	39
LED Strip Replacement .....	40
Removing an LED section .....	40
Control Panel Installation .....	42
Gas Connection .....	43
Gas Pressure Requirements .....	43
Lighting Instructions .....	44
Maintenance .....	45
GLASS PANEL: .....	45
ANNUAL INSPECTION: .....	45
Periodically: .....	45
Replaceable Parts .....	46
Rating Label .....	47

---

## Caution

---

This appliance and its individual shut off valve must be disconnected from gas supply piping system during any pressure testing of that system at test pressures in excess of 1/2 psig (3.5 kPa).

This appliance must be isolated from the gas supply piping system by closing its individual manual shut off valve during any pressure testing of the gas supply piping system at test pressures equal to or less than 1/2 psig (3.5 kPa).

Do not use the fire feature if any part has been under water. Immediately call a qualified service technician to inspect the fire feature and to replace any part of the control system and any gas control which has been under water.



We recommend that our gas hearth products be installed and serviced by professionals who are certified in the United States by the National Fireplace Institute® (NFI) as NFI Gas Specialists



**WARNING:** This product can expose you to chemicals including ceramic fibers, which are known to the State of California to cause cancer, and carbon monoxide, which is known to the State of California to cause birth defects or other reproductive harm. For more information go to [www.P65Warnings.ca.gov](http://www.P65Warnings.ca.gov).

This warning is applicable to all  
**Pacific Energy Fireplace Products**

---

## Safety

---

Any grill, panel or door removed for servicing the unit must be replaced prior to operating. Failure to do so may create a hazardous condition.

Installation and repair should be done by a qualified service person. The appliance should be inspected before use and at least annually by a professional service person. More frequent cleaning may be required due to excessive lint from carpeting, bedding material, etc. It is imperative that control compartments, burners and circulating air passageways of the appliance be kept clean.

It is our policy that no responsibility is assumed by the Company or by any of its employees or representatives for any damages caused by an inoperable, inadequate, or unsafe condition which is the result, either directly or indirectly, of any improper operation or installation procedures.

This appliance must not be connected to a chimney flue serving a separate solid fuel burning appliance.

# — Important Note for the Commonwealth of Massachusetts —

From Massachusetts Rules and Regulations 248 CMR 5.08:

- (a) For all side wall horizontally vented gas fueled equipment installed in every dwelling, building or structure used in whole or in part for residential purposes, including those owned or operated by the Commonwealth and where the side wall exhaust vent termination is less than seven (7) feet above finished grade in the area of the venting, including but not limited to decks and porches, the following requirements shall be satisfied.
1. **INSTALLATION OF CARBON MONOXIDE DETECTORS.** At the time of installation of the side wall horizontal vented gas fueled equipment, the installing plumber or gas fitter shall observe that a hard wired carbon monoxide detector with an alarm and battery back-up is installed on the floor level where the gas equipment is to be installed, in addition, the installing plumber or gas fitter shall observe that a battery operated or hard-wired carbon monoxide detector with an alarm is installed on each additional level of the dwelling, building or structure served by the side wall horizontal vented gas fueled equipment. It shall be the responsibility of the property owner to secure the services of qualified licensed professionals for the installation of hard-wired carbon monoxide detectors.
    - a. In the event that the side wall horizontally vented gas fueled equipment is installed in a crawl space or an attic, the hard-wired carbon monoxide detector with alarm and battery back-up may be installed on the next adjacent floor level.
    - b. In the event that the requirements of this subdivision cannot be met at the time of completion of installation, the owner shall have a period of thirty (30) days to comply with the above requirements; provided, however, that during said thirty (30) day period, a battery operated carbon monoxide detector with an alarm shall be installed.
  2. **APPROVED CARBON MONOXIDE DETECTORS.** Each carbon monoxide detector as required in accordance with the above provisions shall comply with NFPA 720 and be ANSI/UL 2034 listed as IAS certified.
  3. **SIGNAGE.** A metal or plastic identification plate shall be permanently mounted to the exterior of the building at a minimum height of eight (8) feet above grade directly in line with the exhaust vent terminal for the horizontally vented gas fueled heating appliance or equipment. The sign shall read, in print size no less than one-half (1/2) inch in size, "GAS VENT DIRECTLY BELOW. KEEP CLEAR OF ALL OBSTRUCTIONS"
  4. **INSPECTION.** The state or local gas inspector of the side wall horizontally vented gas fueled equipment shall not approve the installation unless, upon inspection, the inspector observes carbon monoxide detectors and signage installed in accordance with the provisions of 248 CMR 5.089(2) (a) 1 through 4.
- (b) **EXEMPTIONS.** The following equipment is exempt from 248 CMR 5.089(2)(a) 1 through 4.
1. The equipment listed in Chapter 10 entitled "Equipment Not Required To Be Vented" in the most current edition of NFPA 54 as adopted by the Board; and
  2. Product Approved side wall horizontal vented gas fueled equipment installed in a room or structure separate from the dwelling, building or structure used in whole or in part for residential purposes.
- (c) **MANUFACTURER REQUIREMENTS – GAS EQUIPMENT VENTING SYSTEM PROVIDED.** When the manufacturer of Product Approved side wall horizontally vented gas equipment provides a venting system design or venting system components with the equipment, the instructions provided by the manufacturer for installation of the equipment and the venting system shall include:
1. Detailed instructions for the installation of the venting system design or the venting system components; and
  2. A complete parts list for the venting system design or venting system.
- (d) **MANUFACTURER REQUIREMENTS – GAS EQUIPMENT VENTING SYSTEM NOT PROVIDED.** When the manufacturer of a Product Approved side wall horizontally vented gas fueled equipment does not provide the parts for venting the fuel gases, but identifies "special venting systems;" the following requirements shall be satisfied by the manufacturer.
1. The referenced "special venting system" instructions shall be included with the appliance or equipment installation instructions; and
  2. The "special venting systems" shall be Product Approved by the Board, and the instructions for that system shall include a parts list and detailed installation instructions.
- (e) A copy of all installation instructions for all Product Approved side wall horizontally vented gas fueled equipment, all venting instructions, all parts lists for venting instructions, and/or all venting design instructions shall remain with the appliance or equipment at the completion of the installation.

# — Congratulations on your Town & Country purchase —

Your Architectural Series Zero Clearance linear appliance has been professionally installed by:

Dealer name: \_\_\_\_\_

Phone Number: \_\_\_\_\_

If you discover any problems with your linear appliance, contact your dealer immediately to have the unit repaired.

Caution: Do not attempt to repair the linear appliance because you may cause injury to yourself or others, and risk causing damage to the unit.

Before operating your linear appliance carefully read this manual and pay close attention to all Safety Warnings. The manual contains important information on the unit's safe operation and maintenance.

## — Installation Requirements/Appliance Specifications —

**Town and Country Architectural Series linear appliance.**

### **Specifications**

- This unit has been tested to CSA P.4.1 specifications.
- Single wall (min. 26 ga) galvanized venting. (Zero clearance)
- 120VAC / single phase.
- 24VAC Honeywell direct ignition valve system.
- Power vented only. Programmed with pre and post-purge safety functioning. Certified to use provided Town & Country power vent only.
- Horizontal or Vertical Termination.
- Zero clearance unit (no non-combustible board required).
- Exhaust 12" Rigid or B-vent(See Local Building Codes) - 150ft max length plus up to 6 elbows. (Zero clearance)
- 7" rigid intakes - ( All bottom intake models) 150ft max length plus up to 6 elbows. (Zero clearance)
- 10" rigid intakes - (All top intake models) 150ft max length plus up to 6 elbows. (Zero clearance)

## — Installation Requirements —

The fireplace installation and venting must conform to the current CAN/CGA-B149 installation code (in Canada) or the current National Fuel Gas Code, ANSI Z223.1 (in the USA), and approved per local codes. Only qualified (licensed or trained) personnel should install this product.

In the state of Massachusetts, only a licensed Plumber and Gas Fitter may install this product.



# Vent Terminal Minimum Clearances

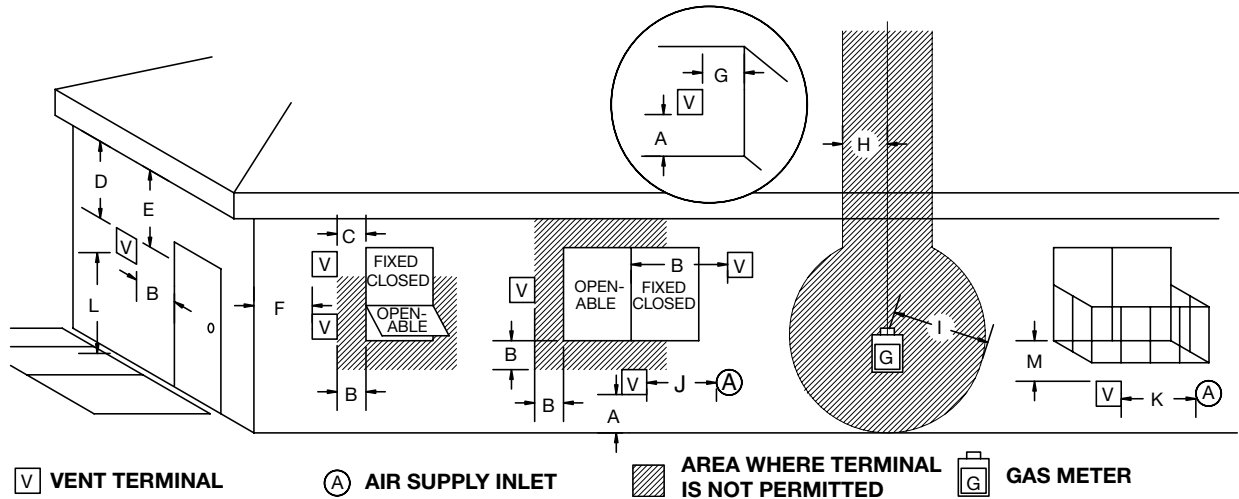


Figure 1: Vent terminal minimum clearances.

## POWER VENT (SKU 22080040)

		Canada <sup>1</sup>	US <sup>2</sup>
A=	Clearances above grade, veranda, porch, deck, or balcony.	12 inches (30 cm) min.	12 inches min.
B=	Clearance beside or below a window or door that may be opened.	12 inches (30 cm) for appliances ≤ 100,000 Btuh., 36 inches (91cm) for appliances > 100,000 Btuh.	9 inches for appliances > 10,000 Btuh and ≤ 50,000 Btuh. *12 inches for appliances > 50,000 Btuh.,
C=	Clearance to permanently closed window recommended to prevent condensation on window.	12 inches (30 cm)	12 inches
D=	Vertical clearance to ventilated soffit located above the terminal within a horizontal distance of 2 feet (61 cm) from the center line of the terminal.	24 inches (60 cm) min.	24 inches min.
E=	Clearance to unventilated soffit from the center line of the terminal.	24 inches (60 cm) min.	24 inches min.
F=	Clearance to outside corner.	6 inches (15 cm) min.	6 inches min.
G=	Clearance to inside corner from the center line of the terminal.	24 inches (60 cm) min.	24 inches min.
H=	Clearance to each side of center line extended above meter/regulator assembly.	3 feet (90 cm) min. within a height of 15ft (4.5m) above the meter or regulator assembly	**
I=	Clearance to service regulator vent outlet.	3 feet (90cm) min.	**
J=	Clearance to non mechanical air supply inlet to building or the combustion air inlet to any other appliance.	12 inches (30 cm) ≤ 100,000 Btuh. 36 inches (91) cm > 100,000 Btuh	9 inches for appliances > 10,000 Btuh and ≤ 50,000 Btuh. 12 inches for appliances > 50,000 Btuh.
K=	Clearance to a mechanical air supply inlet.	6 feet (1.8 m) min.	3 feet (90cm) min. above if within 10ft (3m) horizontally
L=	Clearance above paved side-walk or a paved driveway located on public property	^ 7 feet (2.1 m) min.	**
M=	Clearance under veranda, porch, deck, or balcony	± 12 inches (25 cm) min.	± 12 inches min.

# FLUSH MOUNT POWER VENT (SKU 22080041)

		Canada <sup>1</sup>	US <sup>2</sup>
A=	Clearances above grade, veranda, porch, deck, or balcony.	12 inches (30 cm) min.	12 inches min.
B=	Clearance beside or below a window or door that may be opened.	12 inches (30 cm) for appliances ≤ 100,000 Btuh., 36 inches (91cm) for appliances > 100,000 Btuh.	9 inches for appliances > 10,000 Btuh and ≤ 50,000 Btuh. *12 inches for appliances > 50,000 Btuh.,
C=	Clearance to permanently closed window recommended to prevent condensation on window.	12 inches (30 cm)	12 inches
D=	Vertical clearance to ventilated soffit located above the terminal within a horizontal distance of 2 feet (61 cm) from the center line of the terminal.	20 inches (51 cm) min.	20 inches min.
E=	Clearance to unventilated soffit from the center line of the terminal.	20 inches (51 cm) min.	20 inches min.
F=	Clearance to outside corner.	6 inches (15 cm) min.	6 inches min.
G=	Clearance to inside corner from the center line of the terminal.	20 inches (51 cm) min.	20 inches min.
H=	Clearance to each side of center line extended above meter/regulator assembly.	3 feet (90 cm) min. within a height of 15ft (4.5m) above the meter or regulator assembly	**
I=	Clearance to service regulator vent outlet.	3 feet (90cm) min.	**
J=	Clearance to non mechanical air supply inlet to building or the combustion air inlet to any other appliance.	12 inches (30 cm) ≤ 100,000 Btuh. 36 inches (91) cm > 100,000 Btuh	9 inches for appliances > 10,000 Btuh and ≤ 50,000 Btuh. 12 inches for appliances > 50,000 Btuh.
K=	Clearance to a mechanical air supply inlet.	6 feet (1.8 m) min.	3 feet (90cm) min. above if within 10ft (3m) horizontally
L=	Clearance above paved side-walk or a paved driveway located on public property	^ 7 feet (2.1 m) min.	**
M=	Clearance under veranda, porch, deck, or balcony	‡ 12 inches (25 cm) min.	‡ 12 inches min.

1) - In accordance with the current CSA B149.1 Natural Gas and Propane Installation Code

2) - USA - In accordance with the current ANSI Z223.1/NFPA 54, National Fuel Gas Code,

\*\* Clearance in accordance with local installation codes and the requirements of the gas supplier

^ A vent shall not terminate directly above a side-walk or paved driveway which is located between two single family dwellings and serves both dwellings\*

‡ Permitted only if veranda, porch, deck, or balcony is fully open on a minimum of two sides beneath the floor

## Minimum Clearances to Combustible Material

This appliance is a zero clearance fire feature. Combustible material may be use to frame the unit in.

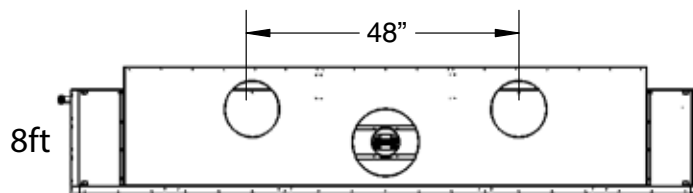
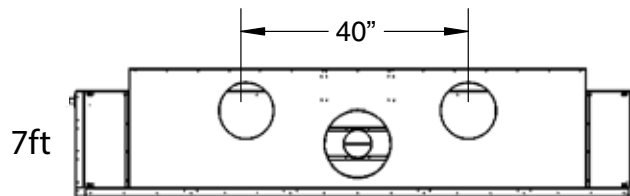
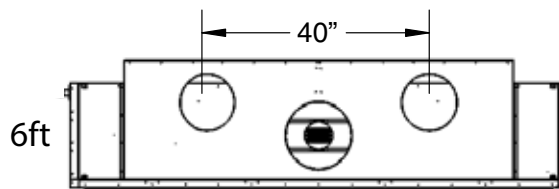
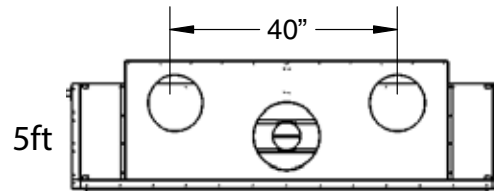
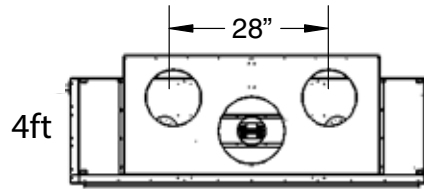
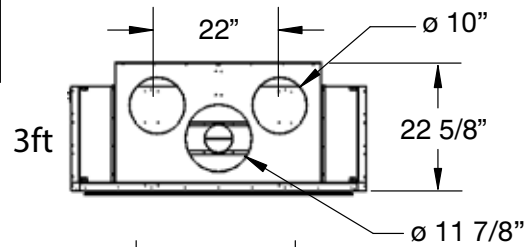
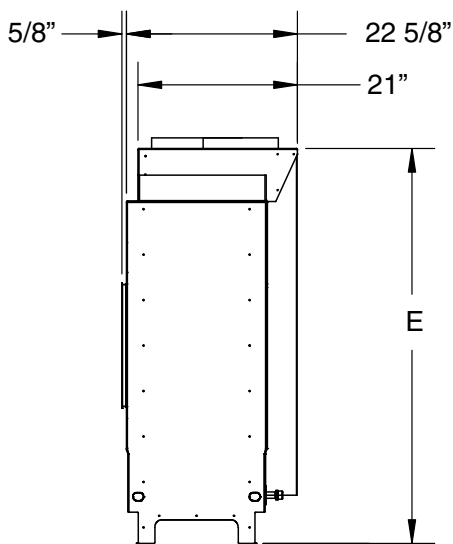
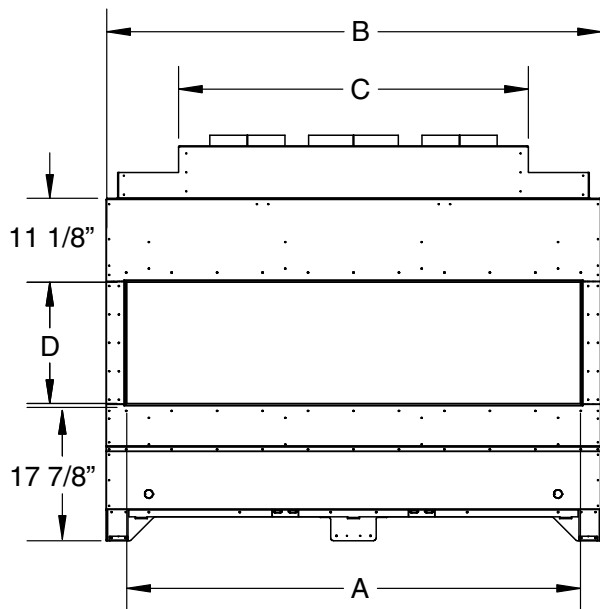
Venting for this unit is also zero clearance. Combustible material is permitted to come into direct contact with venting material.

# Appliance Dimensions

## Top Intake model

	3'	4'	5'	6'	7'	8'
A	47 7/8"	59 7/8"	71 7/8"	83 7/8"	95 7/8"	107 7/8"
B	53 1/4"	65 1/4"	77 1/4"	89 1/4"	101 1/4"	113 1/4"
C	37 1/8"	46 1/8"	58 1/8"	70 1/8"	82 1/8"	94 1/8"

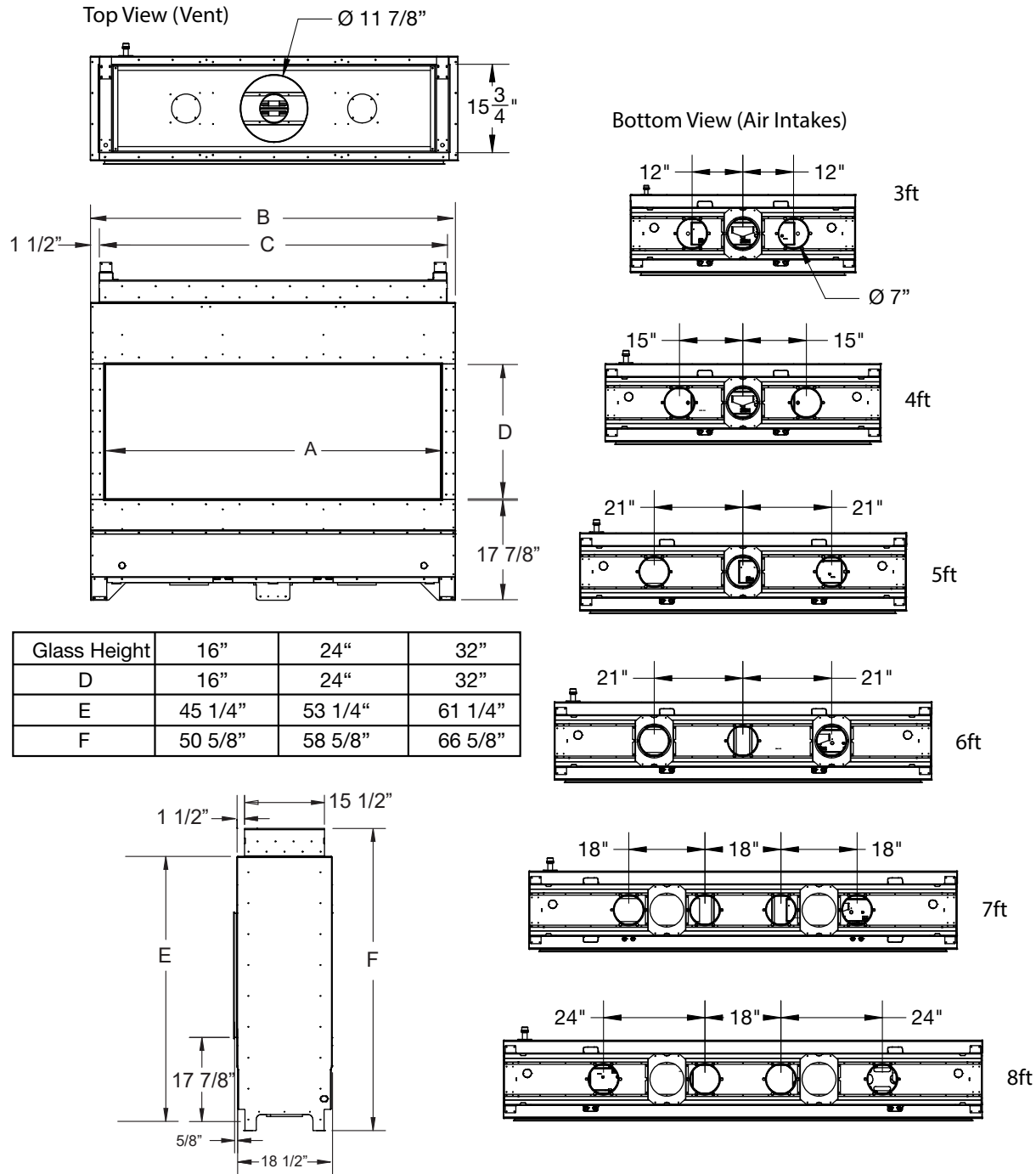
Glass Height	16"	24"	32"
D	16"	24"	32"
E	52 1/8"	60 1/8"	68 1/8"





## Bottom Intake model

	3'	4'	5'	6'	7'	8'
A	47 7/8"	59 7/8"	71 7/8"	83 7/8"	95 7/8"	107 7/8"
B	53 1/4"	<b>65 1/4"</b>	77 1/4"	89 1/4"	101 1/4"	113 1/4"
C	50 1/4"	62 1/4"	74 1/4"	86 1/4"	98 1/4"	110 1/4"



## Btu Values and Weights

Single Side	3FT	4FT	5FT	6FT	7FT	8FT
BTU/HR	48000	64000	80000	96000	112000	128000
16" Glass Weight lbs	374	440	522	591	664	727
24" Glass Weight lbs	422	495	585	661	737	814

## Minimum Clearances to Combustible Material

This appliance is a zero clearance fire feature.

Combustible material may be used to frame this unit in.

Venting for this unit is also zero clearance.

Combustible material is permitted to come into direct contact with venting material.

## Locating the Unit

Because the Architectural Series Linear Appliance is power vented, it can be located in a variety of places. Consideration must be taken for the location of the fresh air intake and the power vent unit venting. A site fabricated platform capable of supporting the appliances weight may be constructed to elevate the viewing area to the desired height, and so that it can accommodate the fresh air intakes (if bottom vented), gas supply and electrical supply.

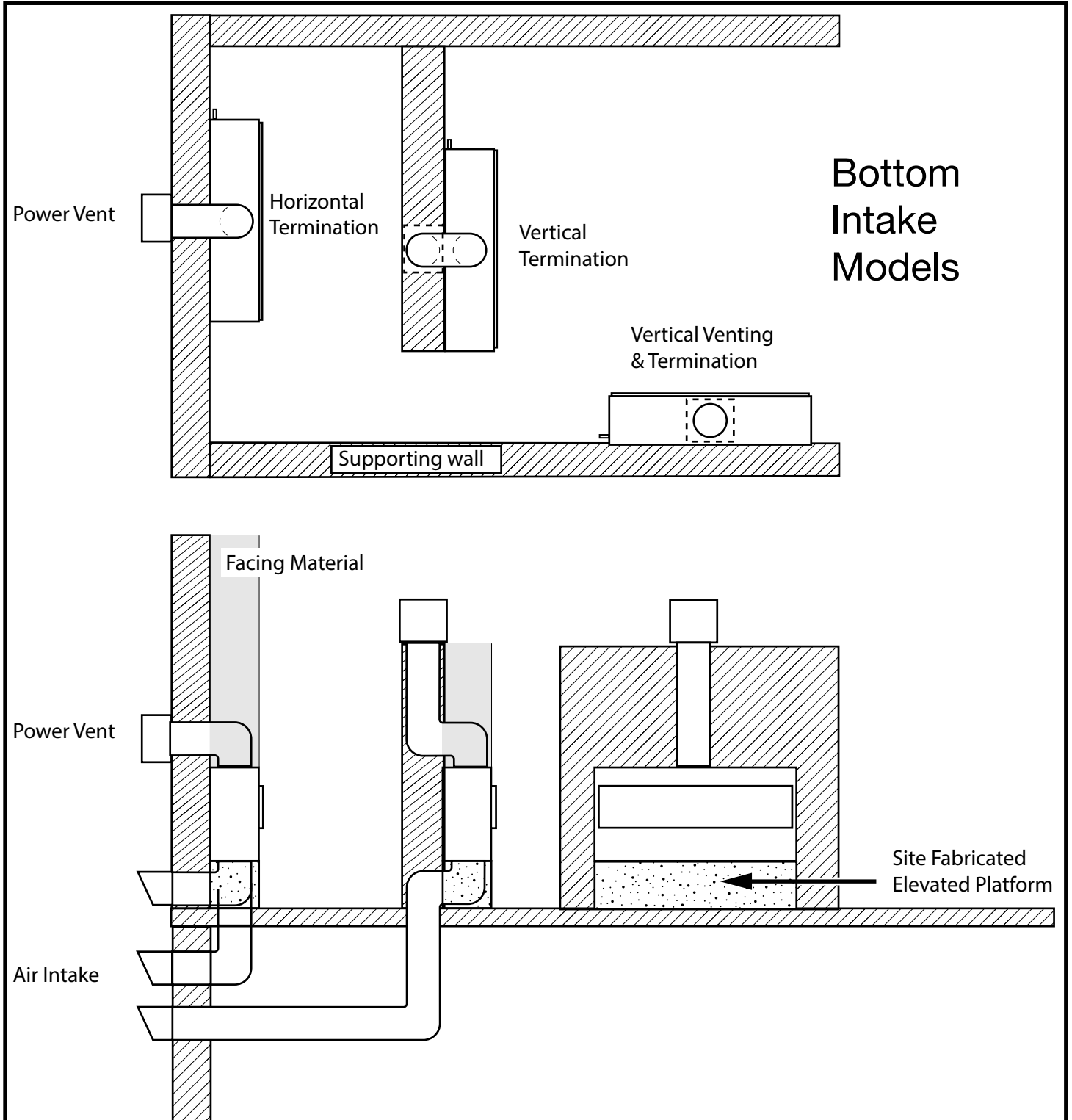


Figure 2: Location options for Bottom Intake models.

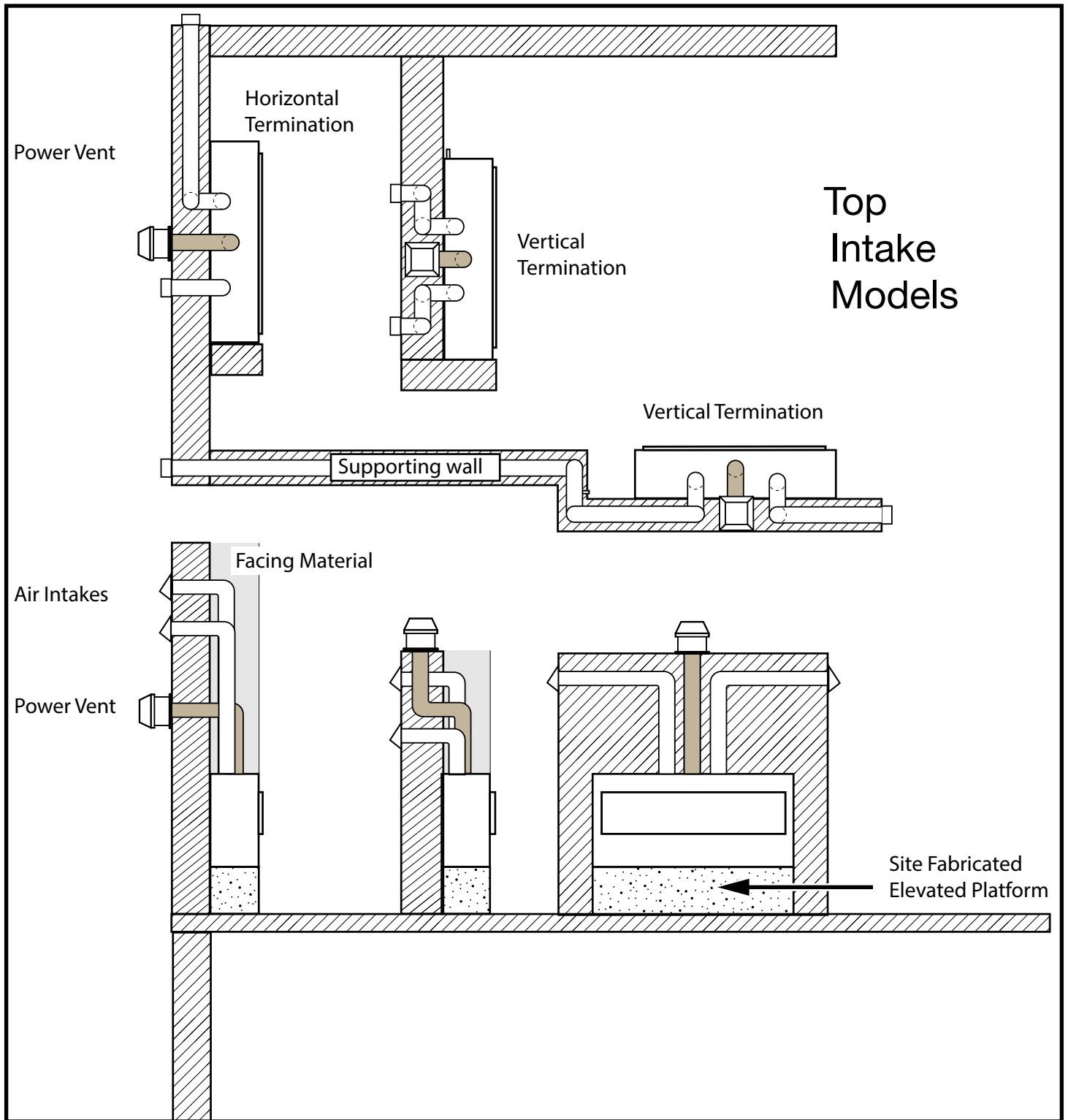


Figure 3: Location options for Top Intake models.

## Framing and Finishing

### Bottom Intake Models

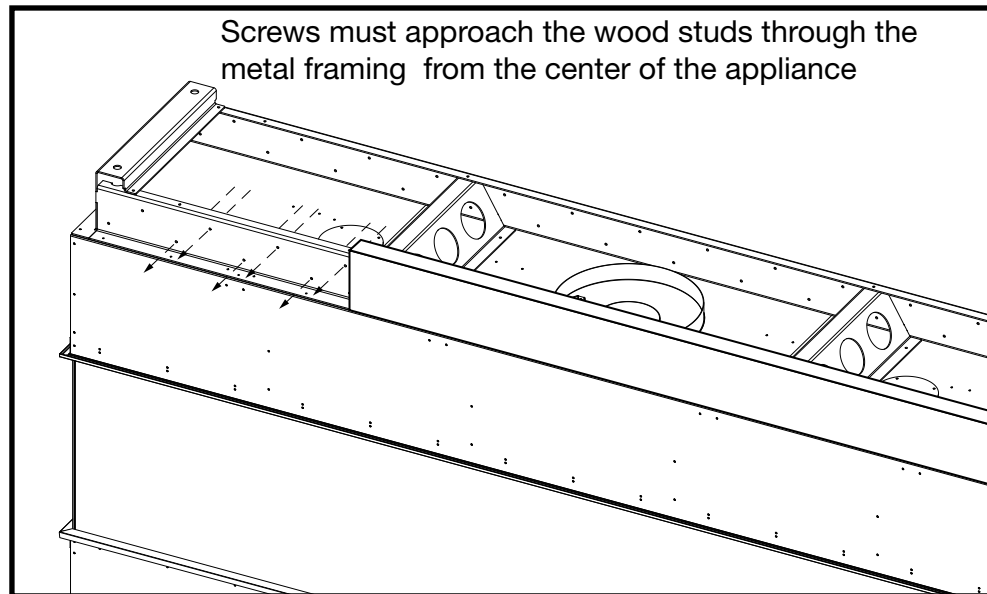


Figure 4: Stud securing points for bottom intake models.

Before framing and finishing, there are two important points to keep in mind:

1. When securing the top of the unit to the wooden studs, the screws must come through the metal framing from the center of the unit (Figure 6).
2. Facing material can be secured directly to the front and sides of the unit except in the areas indicated in this example by Figure 45. Each model will have its own specific areas in which screws must not be driven into.

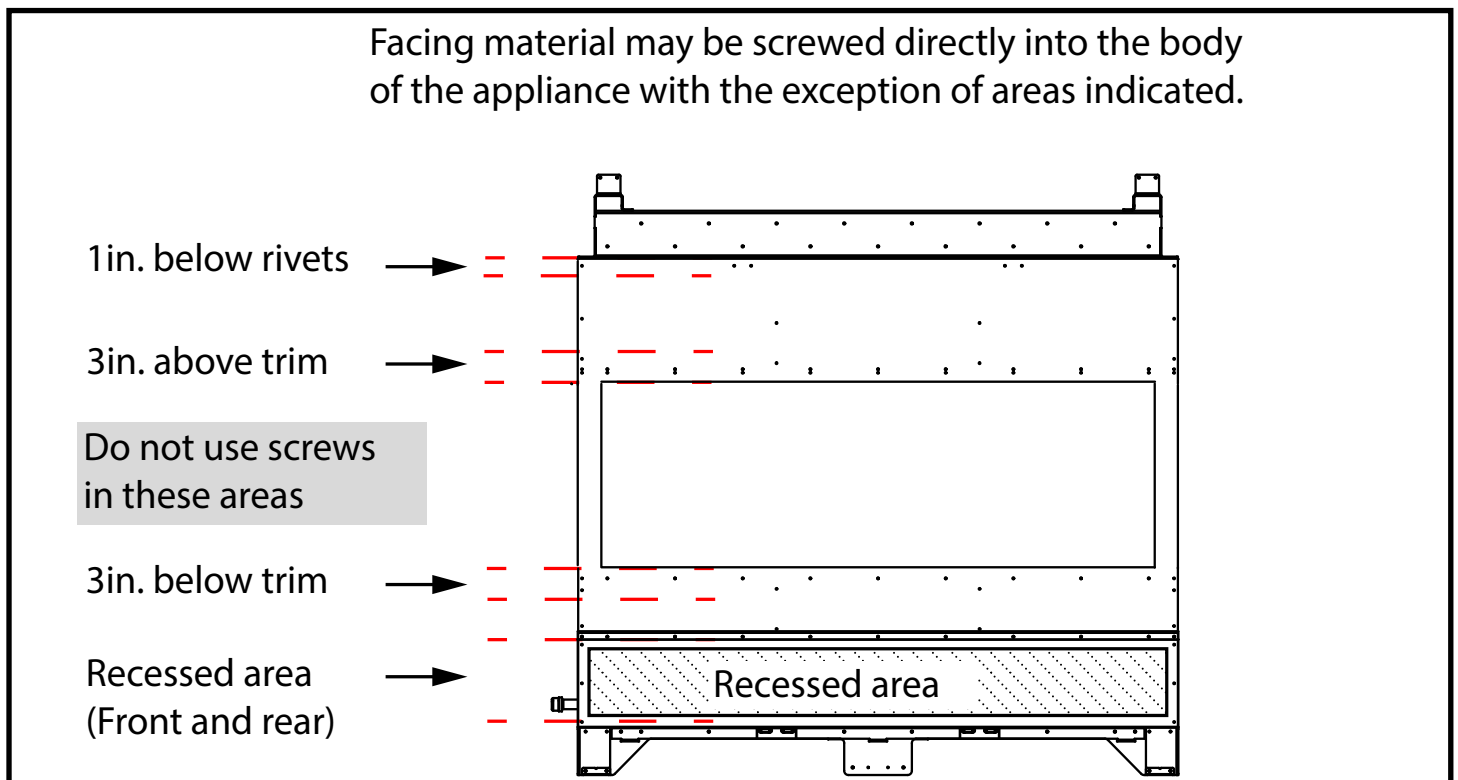


Figure 5: Facing attachment area for Bottom Intake models.

## Top Intake Models

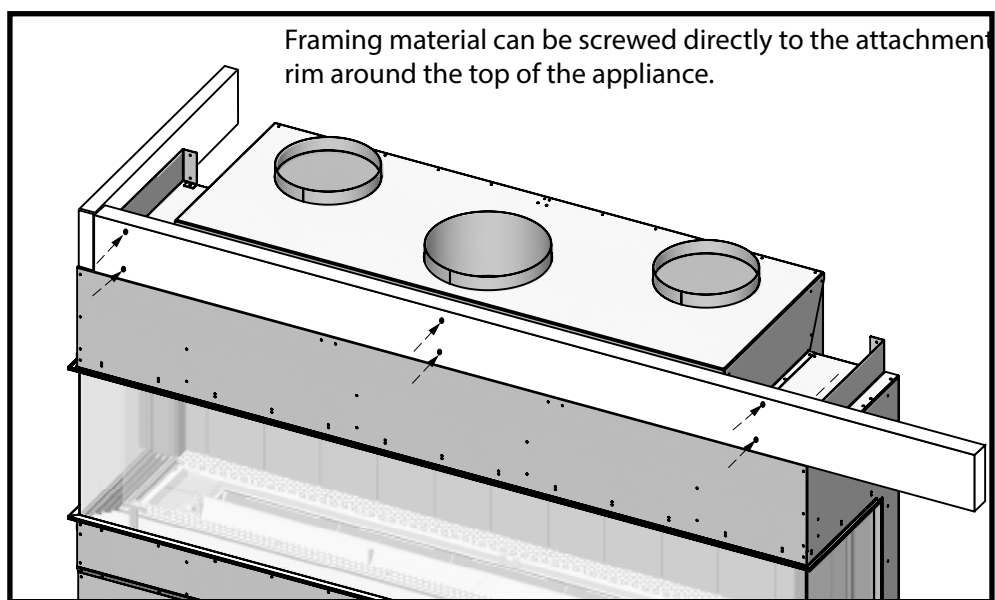


Figure 6: Stud securing points for Top Intake models.

Before framing and finishing, there are two important points to keep in mind:

1. When securing wooden studs to the top of the unit, the screws can be secured through any part of the upper fastening area surface (Figure 6).
2. Facing material can be secured directly to the front and sides of the unit except in the areas indicated in this example by Figure 77. Each model will have its own specific areas in which screws must not be driven into.

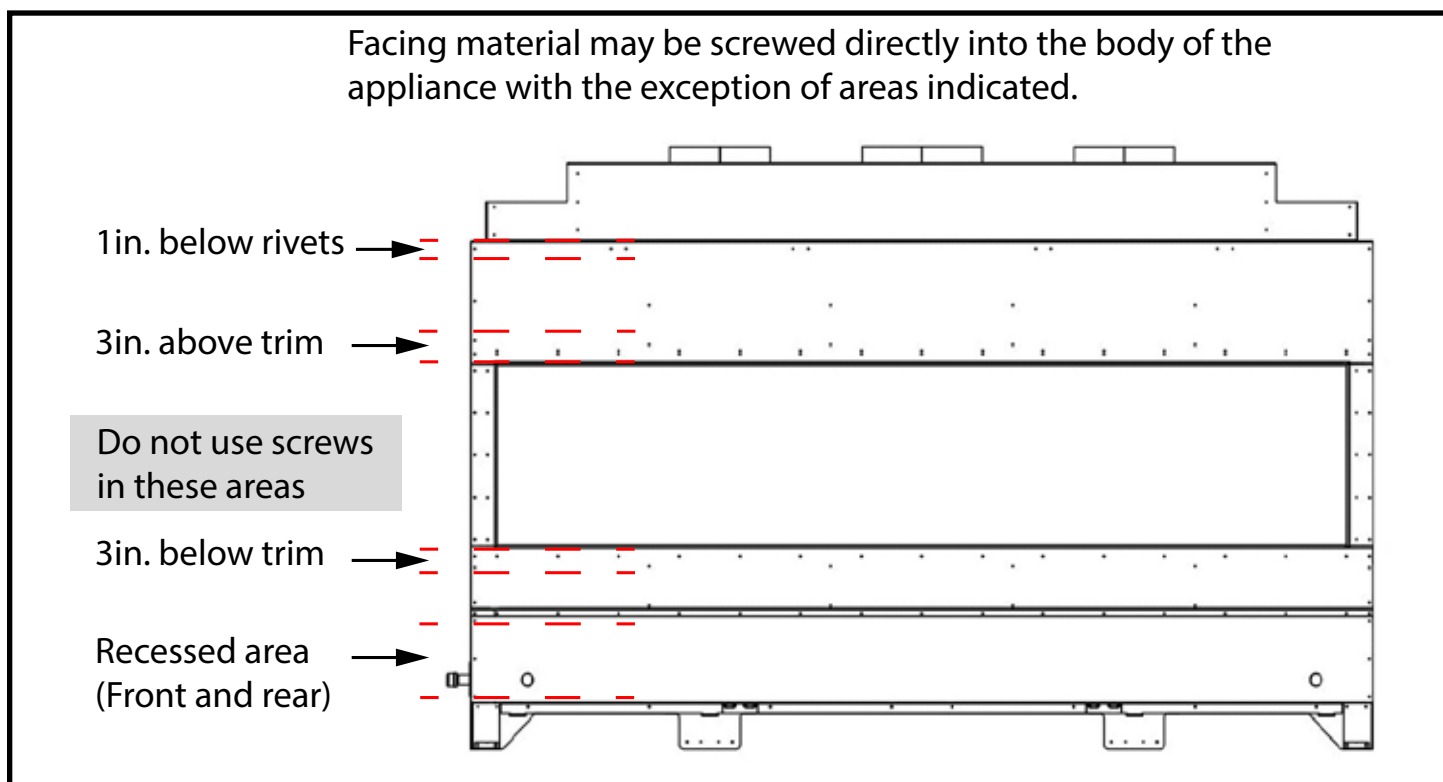


Figure 7: Facing attachment area for Top Intake models.

## Framing

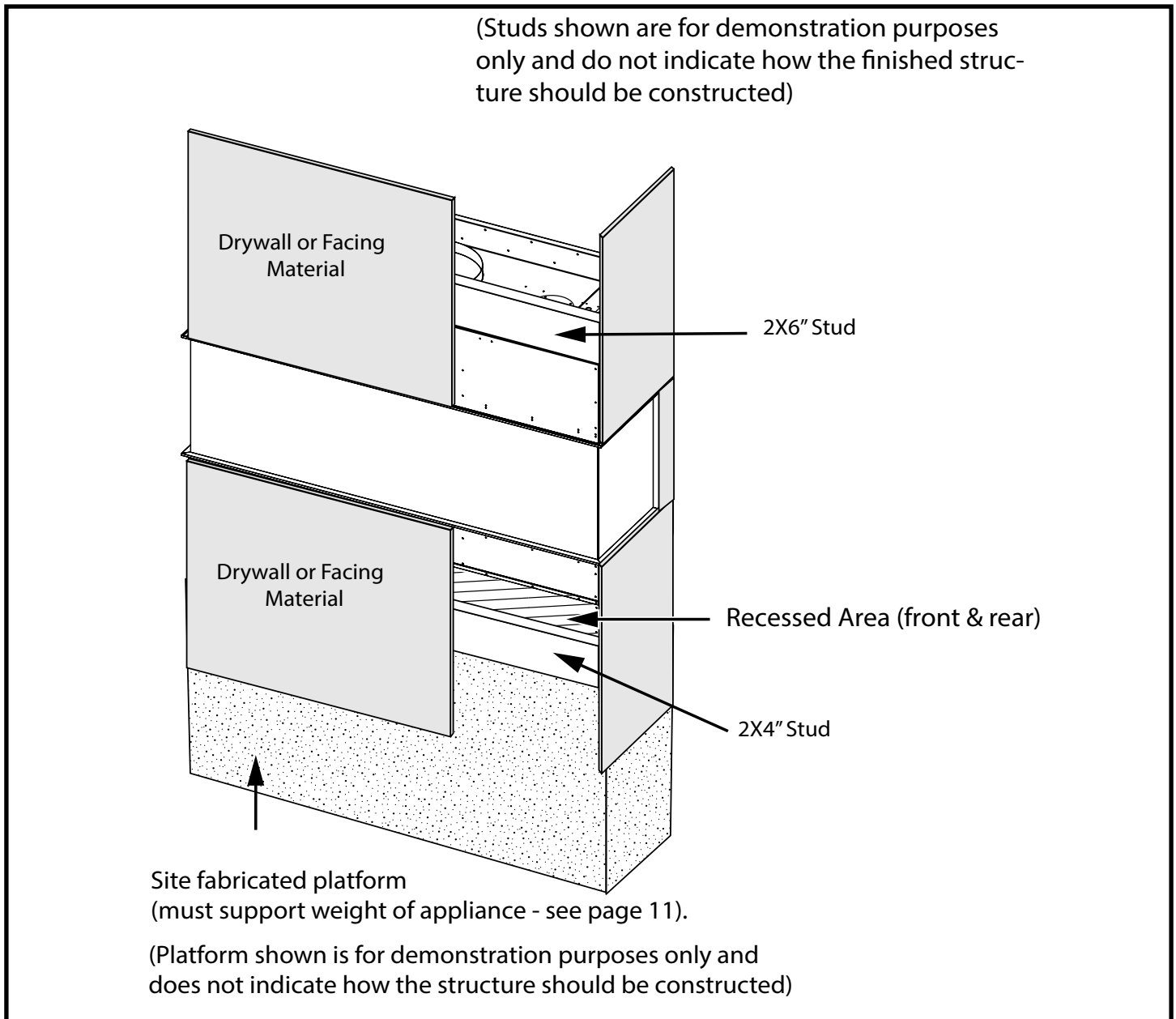


Figure 8: Framing and facing.

**NOTE:** The architectural series fireplaces have a large amount of venting air being drawn through them. It is recommended to insulate the framework that encloses the venting above the fireplace with a sound-proofing insulation such as mineral wool, to reduce any air flow white noise.

## Facing Material

Because the unit requires no clearance to combustible material, drywall or other facing material can be affixed directly to the surface of the unit. Using standard 2x4's and 2x6's in the framing process allows for the edge of 1/2" drywall or other facing material to fit into the channels which make up the perimeter of the exterior glass sheets (Figure 9 and Figure 10).

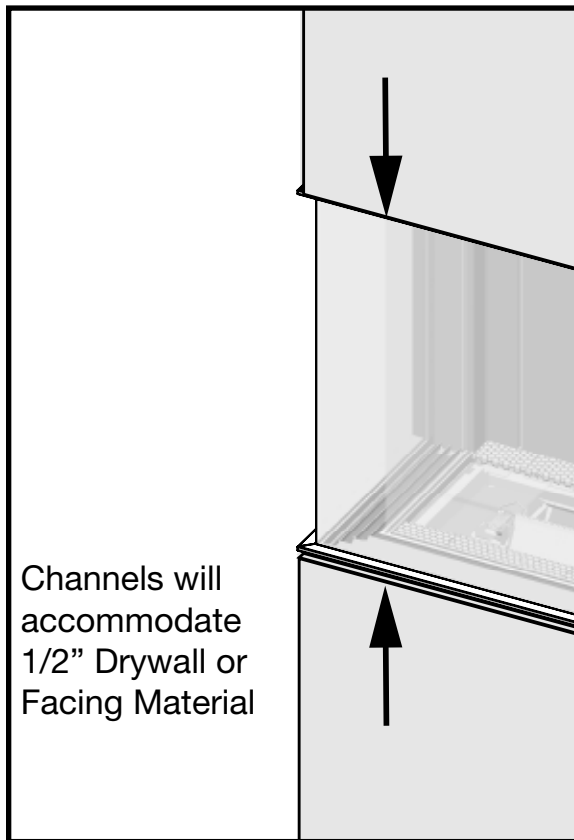


Figure 9: Leading edge of drywall.

**NOTE:** The architectural series fireplaces with the exception of the peninsula models are capable of bearing up to 1000lbs of facing material weight. Up to 1 inch stone may be used. An architectural series fireplace is not to be used as a load bearing structure.

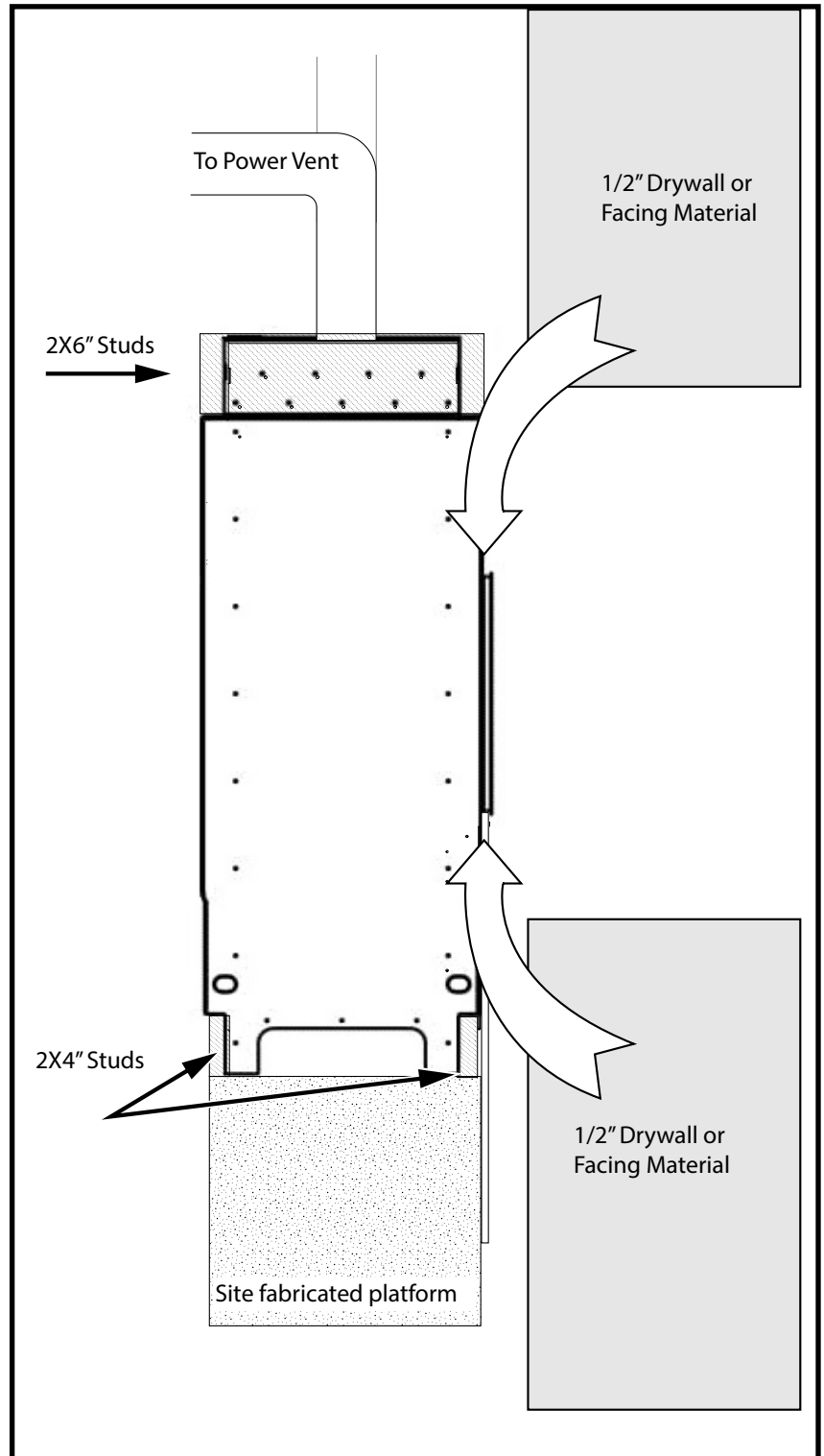


Figure 10: Left side framing and facing view.



# Venting Configuration

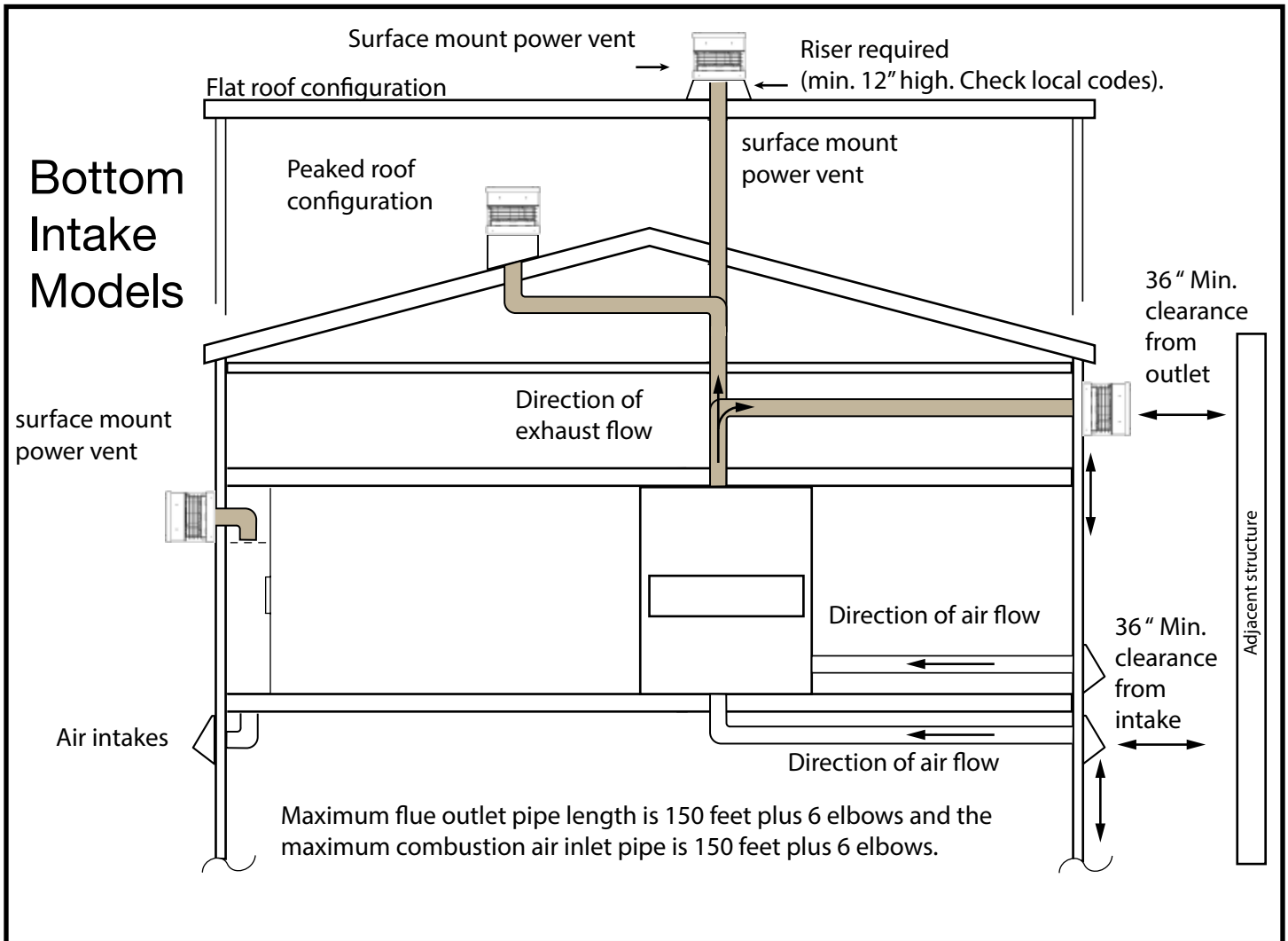


Figure 11: Venting configurations for bottom intake models.

## Venting plenum

**Intake must be a minimum single wall, 26ga galvanized.**

**Exhaust must be 12" B-vent.**

**NOTE: Plenum must not be shared with other appliances.**

**Some installations - particularly in new renovations or with pre-existing constraints / obstacles may require the construction of a plenum in order to accommodate multiple air intakes.**

**The plenum must be made of furnace ducting (Minimum 26 gauge) or other material impervious to moisture. The constructed plenum must have a minimum cross-section of 150in<sup>2</sup> and be sealed to the air-intake collars on the appliance. The plenum may be transitioned to a single intake as long as the recommended cross-section is maintained.**

**For a single air intake, the rule of a maximum of 150 feet plus 6 elbows still applies.**

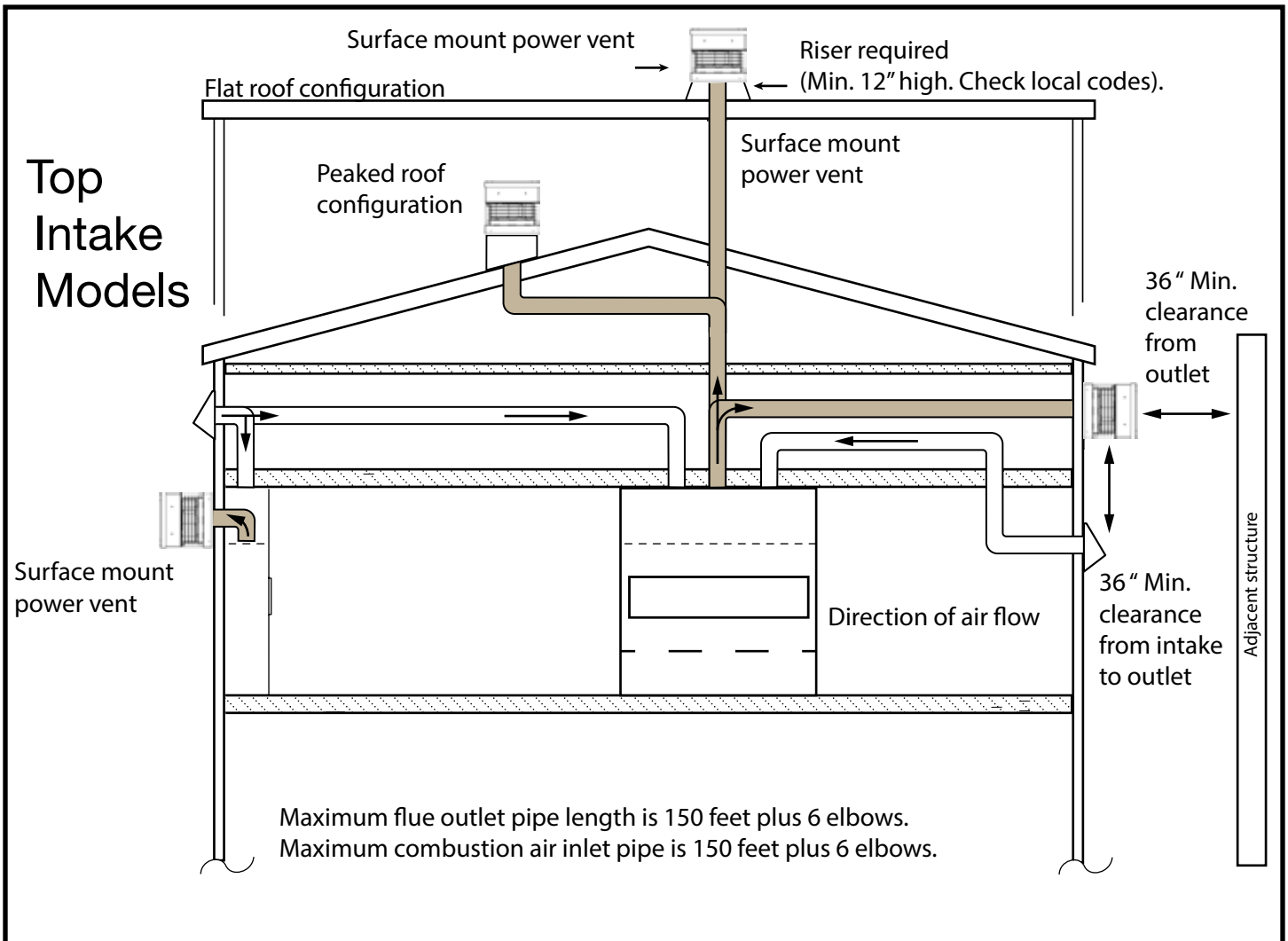


Figure 12: Venting configurations for Top Intake models.

# Venting Specifications

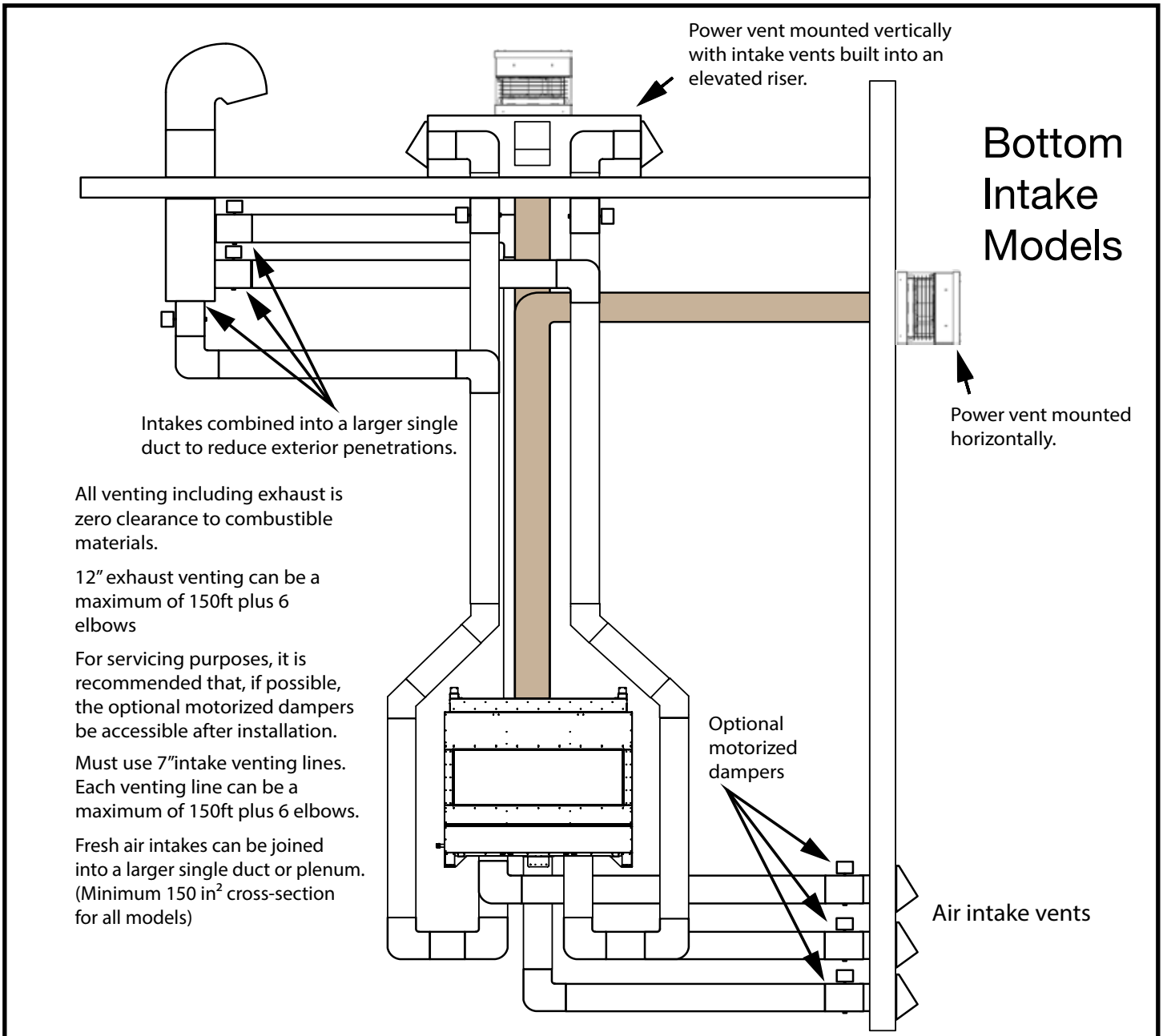


Figure 13: Venting specifications for Bottom Intake models.

- Bottom Air intake venting uses three 7" standard single wall furnace grade venting ducts on 3-6ft burner models, and four 7" vents on 7-8ft models. All vent intakes must be used. Each intake line can be up to a maximum of 150 ft plus 6 elbows.
- Motorized dampers are optional.
- Exhaust venting uses 12" standard single wall furnace grade venting material. Maximum length is 150 ft plus 6 elbows.
- All Venting is zero clearance.
- All Vent seams (Intake and Exhaust) including elbow rivets must be sealed with high temperature aluminum tape.

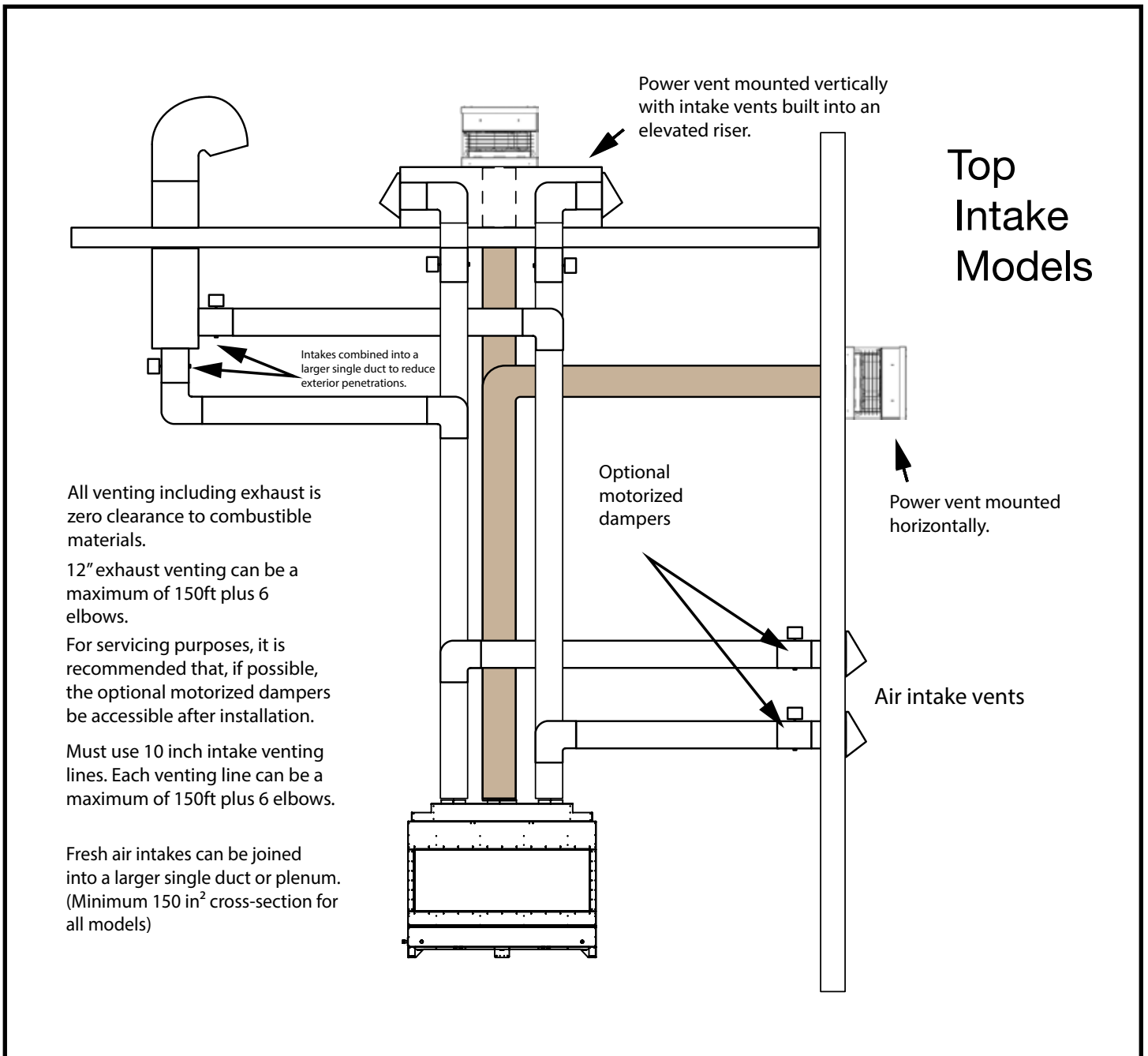


Figure 14: Venting specifications for Top Intake models.

- Top Air intake venting uses two 10" standard single wall furnace grade venting ducts on all models. Both lines must be used. Each intake line can be up to a maximum of 150 ft plus 6 elbows.
- Motorized dampers are optional.
- Exhaust venting uses 12" standard single wall furnace grade venting material. Maximum length is 150 ft plus 6 elbows.
- All Venting is zero clearance.
- All Vent seams (Intake and Exhaust) including elbow rivets must be sealed with high temperature aluminum tape.

# Air Intake

## 7 Inch Intake Hood Dimensions

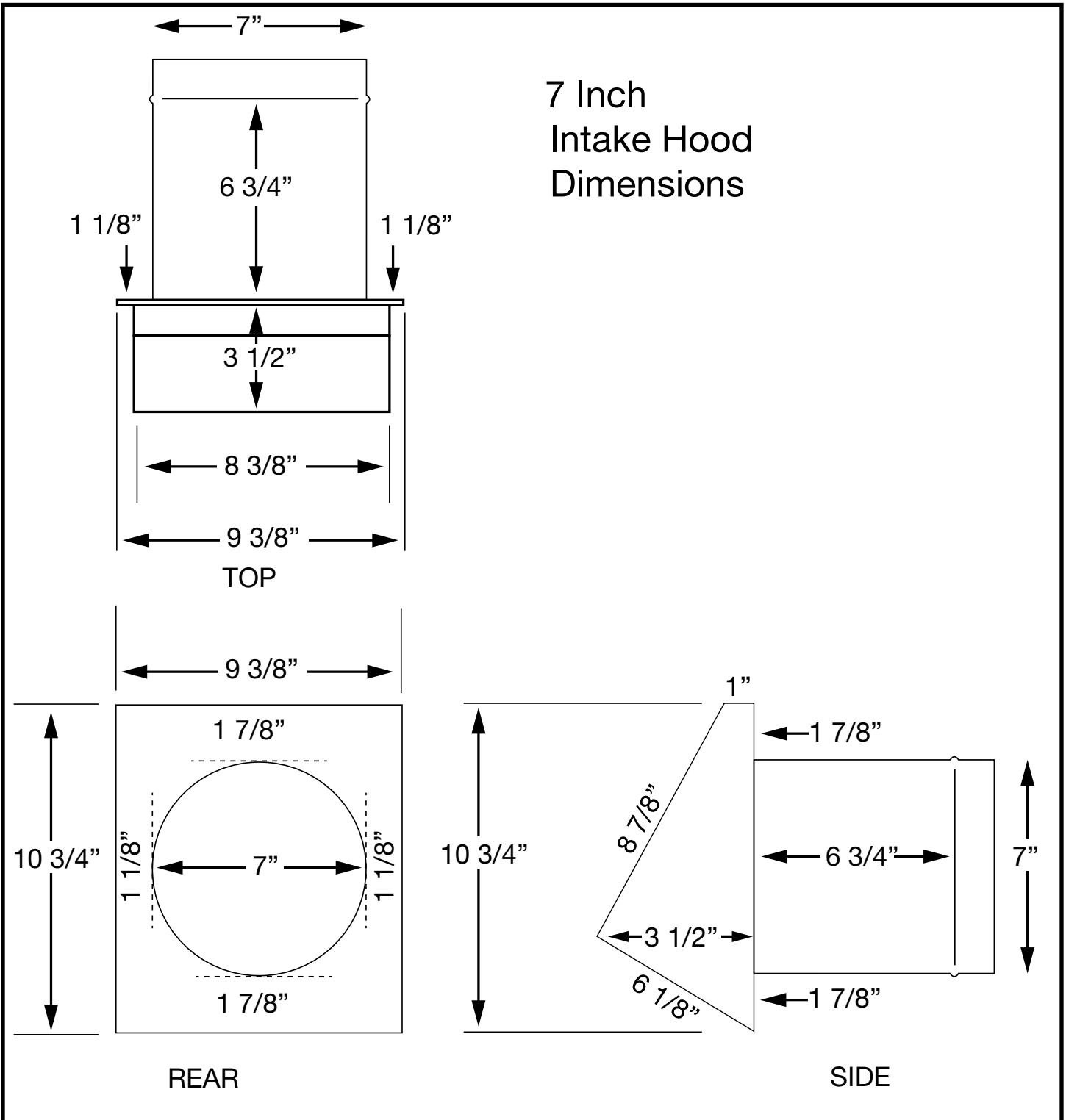


Figure 15: 7 inch intake vent dimensions.

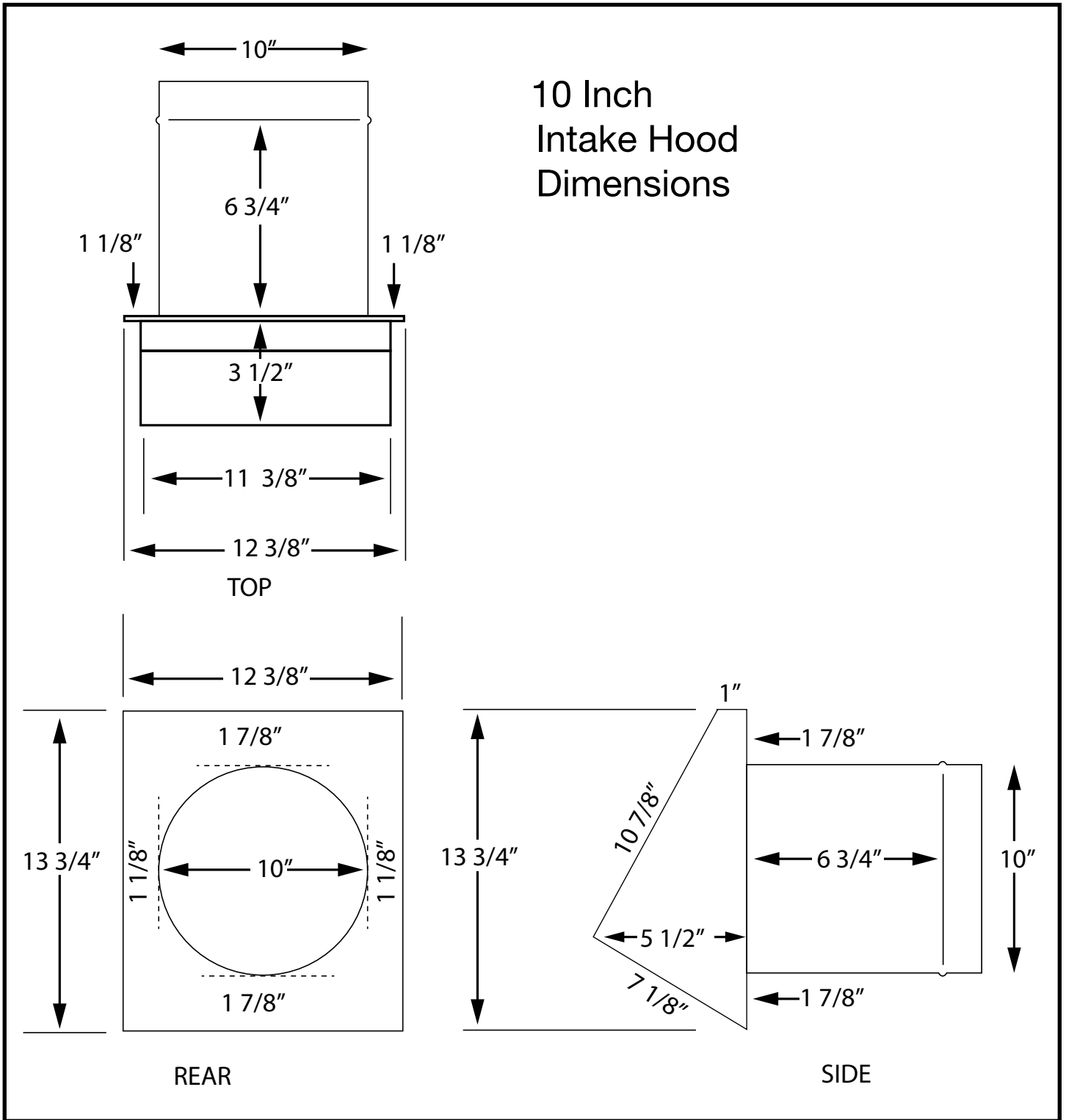


Figure 16: 10 inch intake vent dimensions.

## Optional Motorized Damper



Figure 17: Optional motorized damper.

The optional motorized damper closes off air from the outside being able to enter the fireplace when the fireplace is off. This unit is mounted near the air intake vent. This unit is wired directly to the fireplace body (Figure 54 on page 38). One motorized damper is required for each of the air intake venting lines.

All bottom intake models use 7 inch motorized dampers if required for installation.

All top intake models use 10 inch motorized dampers if required for installation.

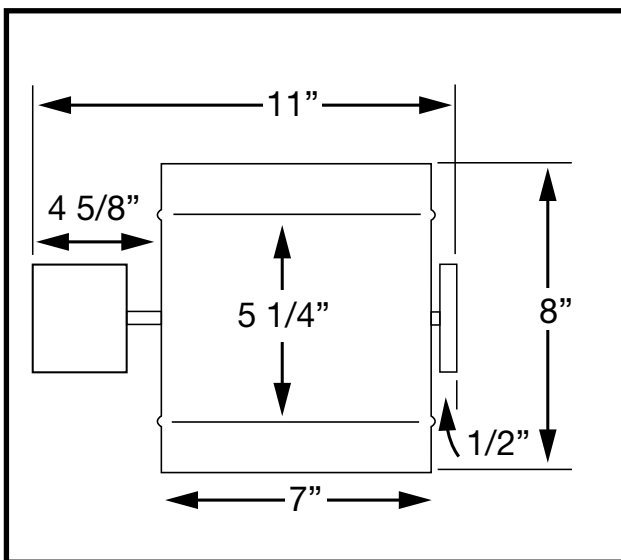


Figure 18: 7 inch Motorized damper dimensions.

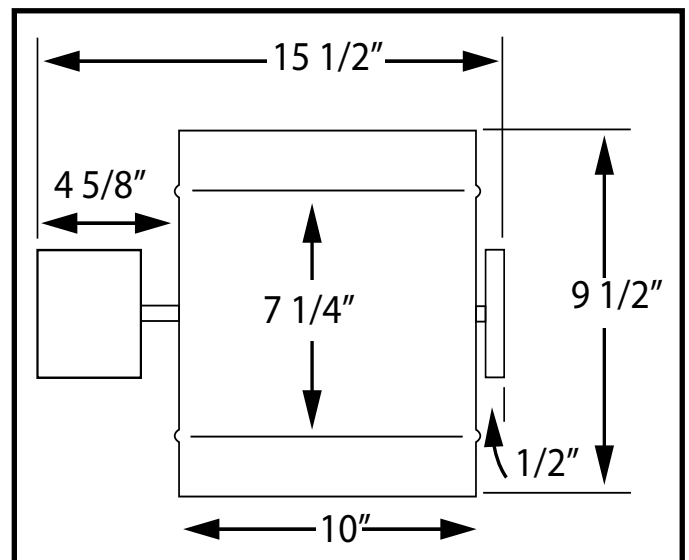


Figure 19: 10 inch Motorized damper dimensions.

---

## Power Vent

---

This section is an overview of the Power Vent Installations. Consult the specific Power Vent Manual (included with each power vent) for up to date and detailed instructions.

**NOTE:** The installer must supply;

- An approved 14ga. household power wire from the fireplace to the Power Vent, for the 120VAC power. and,
- A minimum 18ga, 2 conductor (bell/alarm) wire from the fireplace to the power vent for the 24VAC Blower Control.

**Electrical Motor specifications:**

115 VAC Single phase, 60 Hz 1/2 HP 6.8 Amps

**Weight:** Aprox. 30 lbs.



Figure 20: Power vent.

Use the provided self-tapping screws to attach the vent pipe to both sides of the anti-vibration collar.

Use the provided lag screws to attach the power vent to the site constructed riser or curb. There are 8 holes around the base. (Two per side).



## Power Vent Dimensions

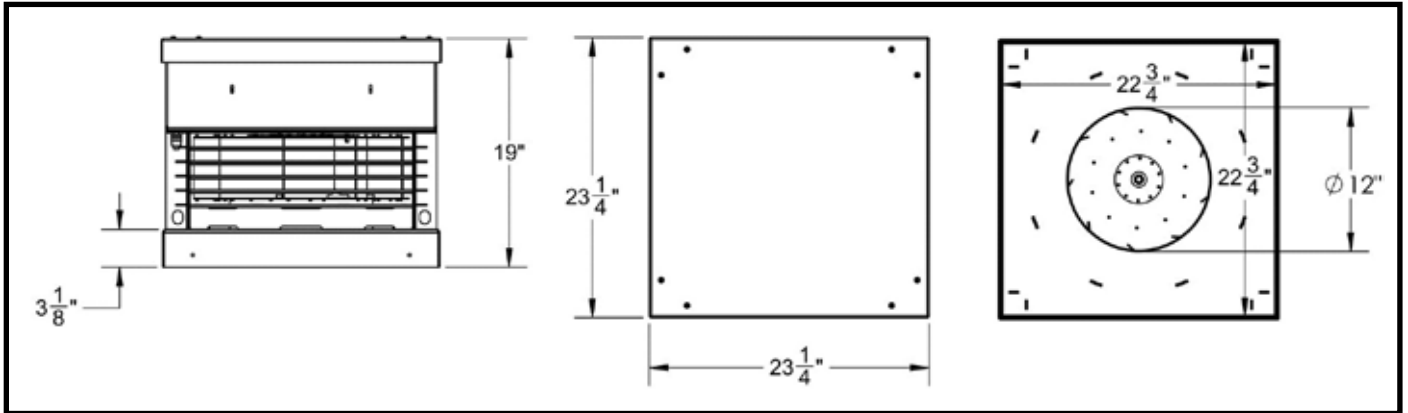


Figure 21: Power vent dimensions.

## Vertical Installation

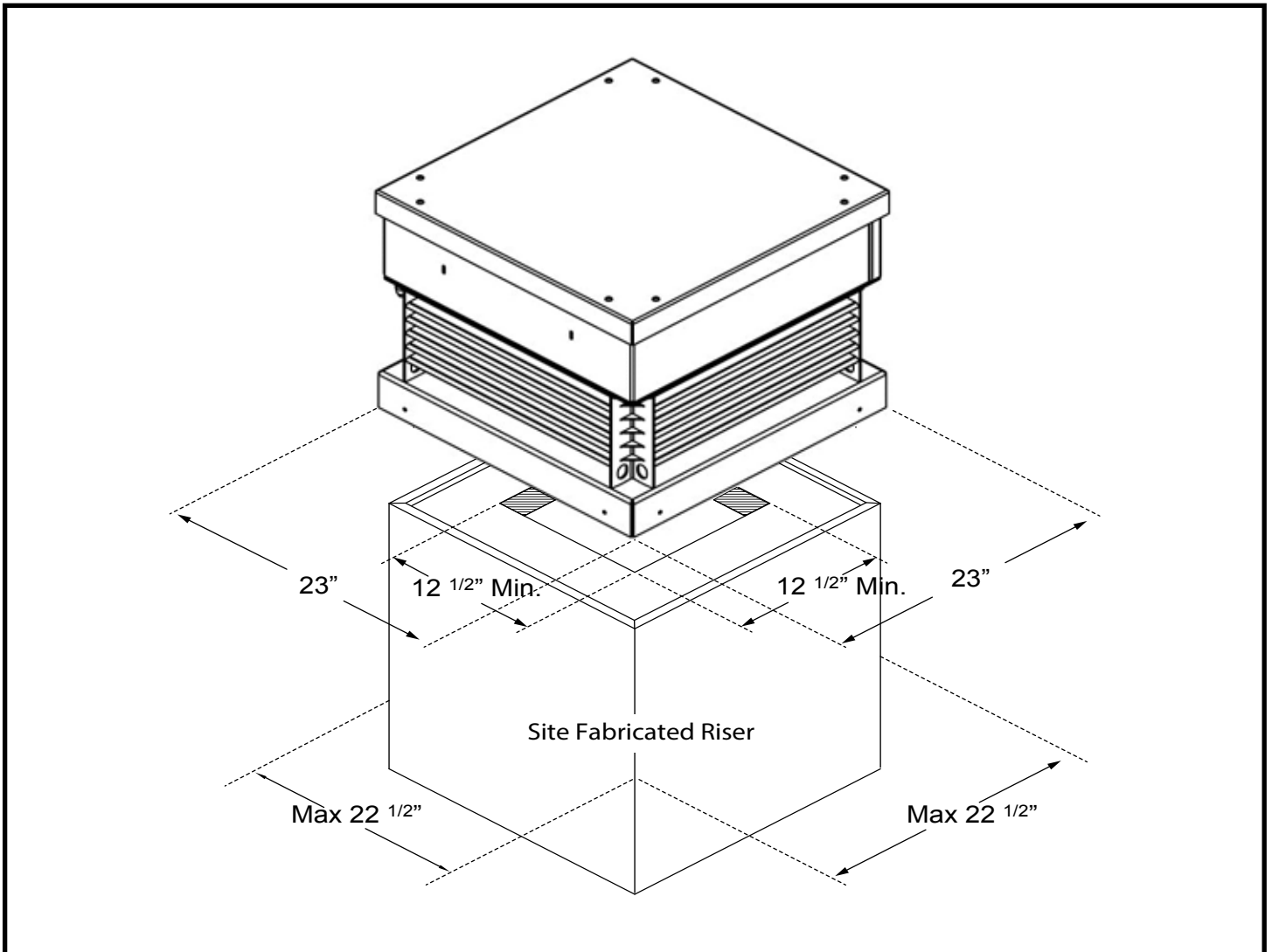


Figure 22: Power vent installation.

## Horizontal Installation

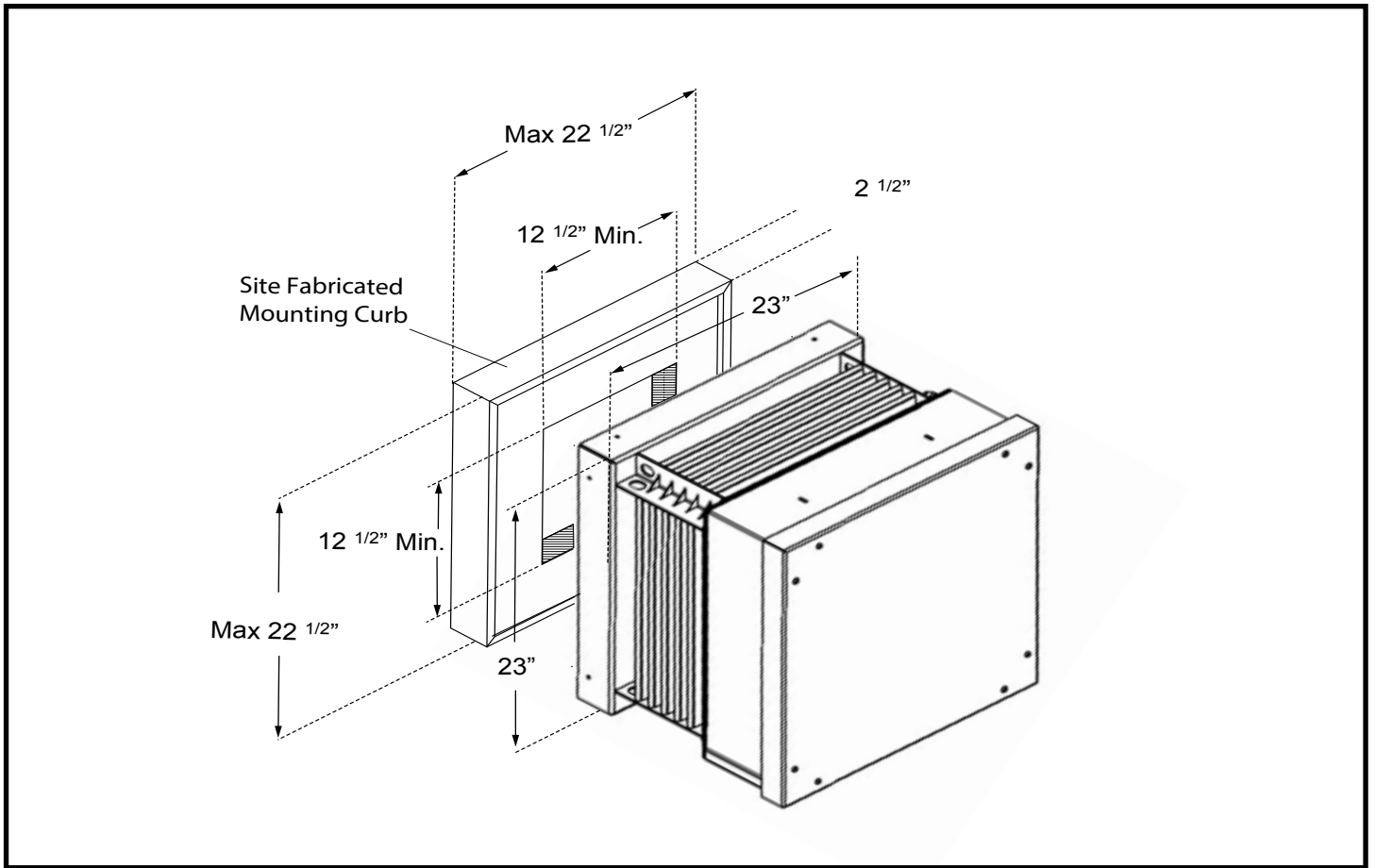


Figure 23: Power vent horizontal installation.

**When installing the power vent horizontally, ensure the side of the power vent with the attached electrical junction box is facing downwards.**

**Use exterior silicone/caulk around the base of the power vent to seal it to the building envelope.**

**Any horizontal run leading to the power vent shall be sloped down to the outside at a minimum of 1/4 inch per foot of vent length.**

## Vent Terminal Clearance

Note: Minimum 3 feet clearance from solid objects/walls or between multiple power vents.

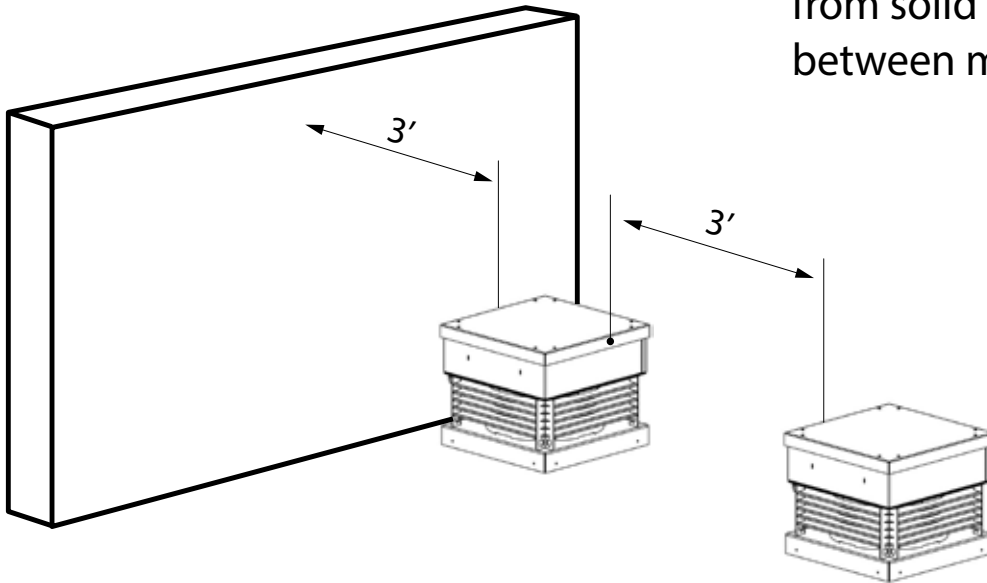


Figure 24: Power vent clearances.

## Power Vent Wiring

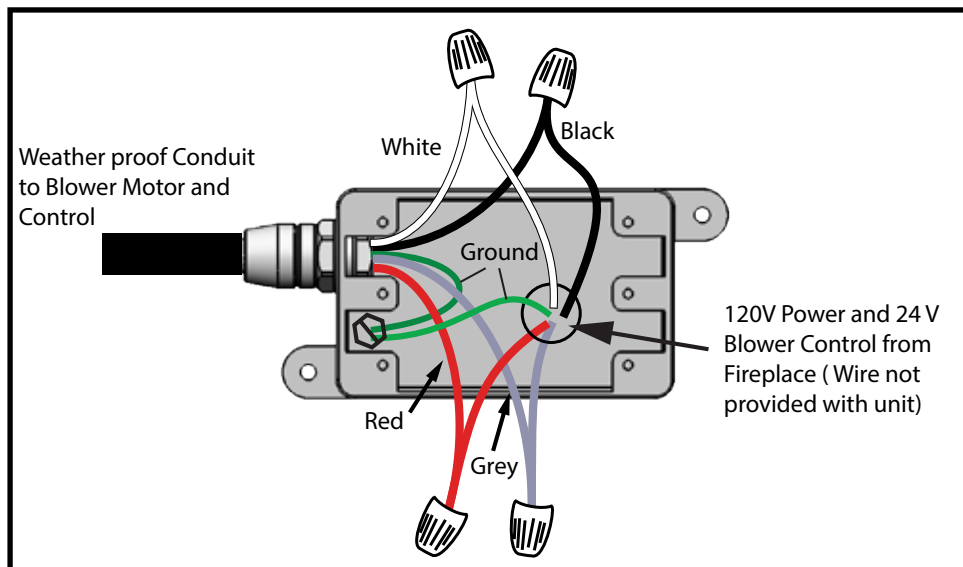


Figure 25: T.S. Wiring diagram.

# Flush Mount Power Vent Dimensions

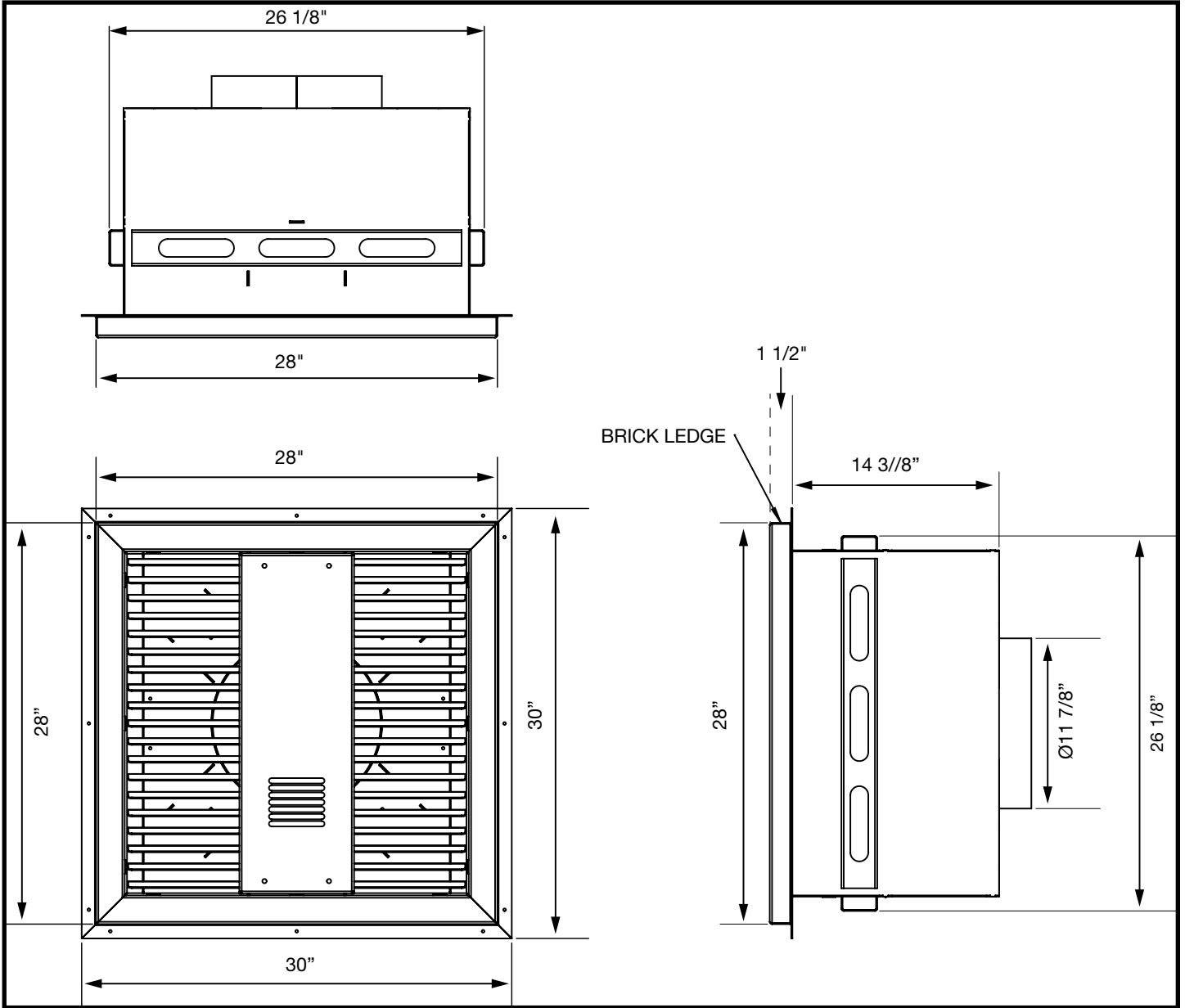


Figure 26: Architectural series power vent dimensions.

## Framing the Flush Mount Power Vent

Recommended framing. See local building codes for more information.

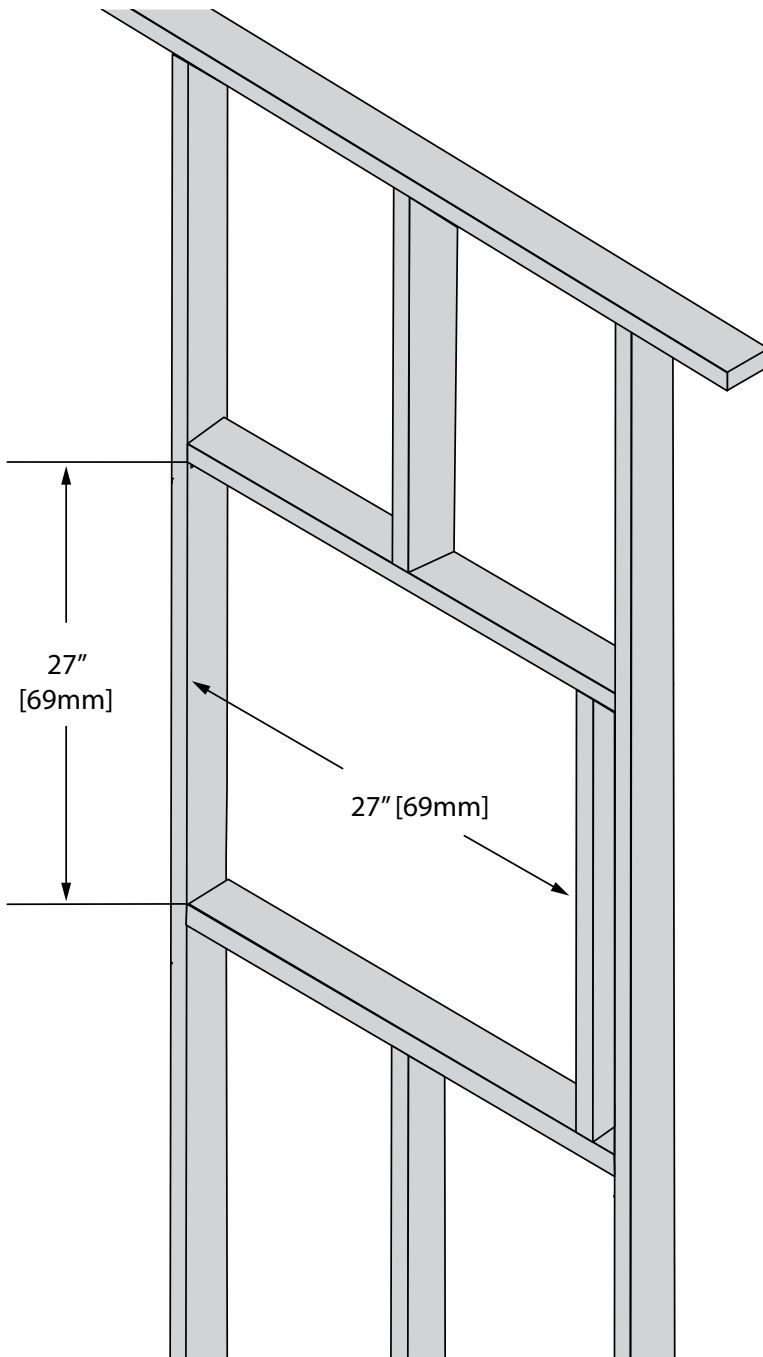


Figure 27: PV Framing Dimensions.

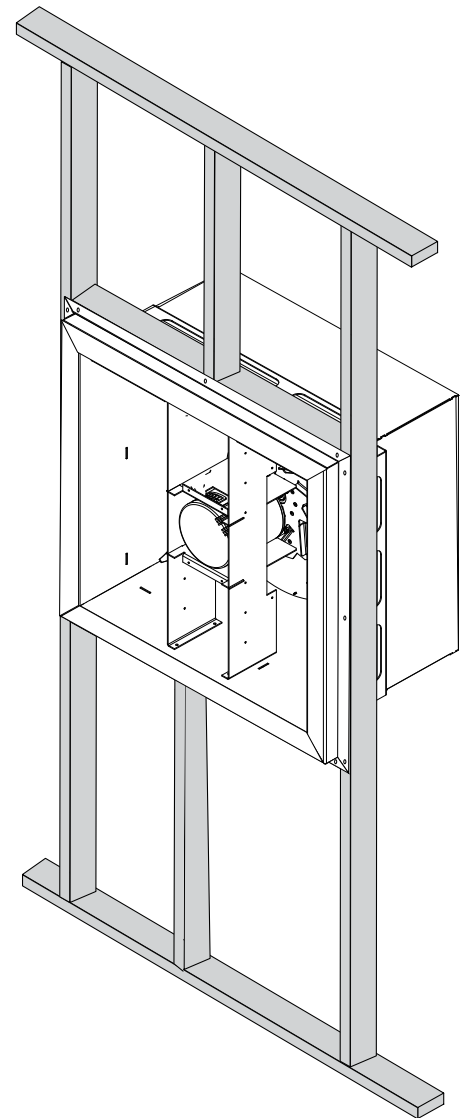


Figure 28: Fan - without grill, installed.

# Flush Mount Electrical Connection

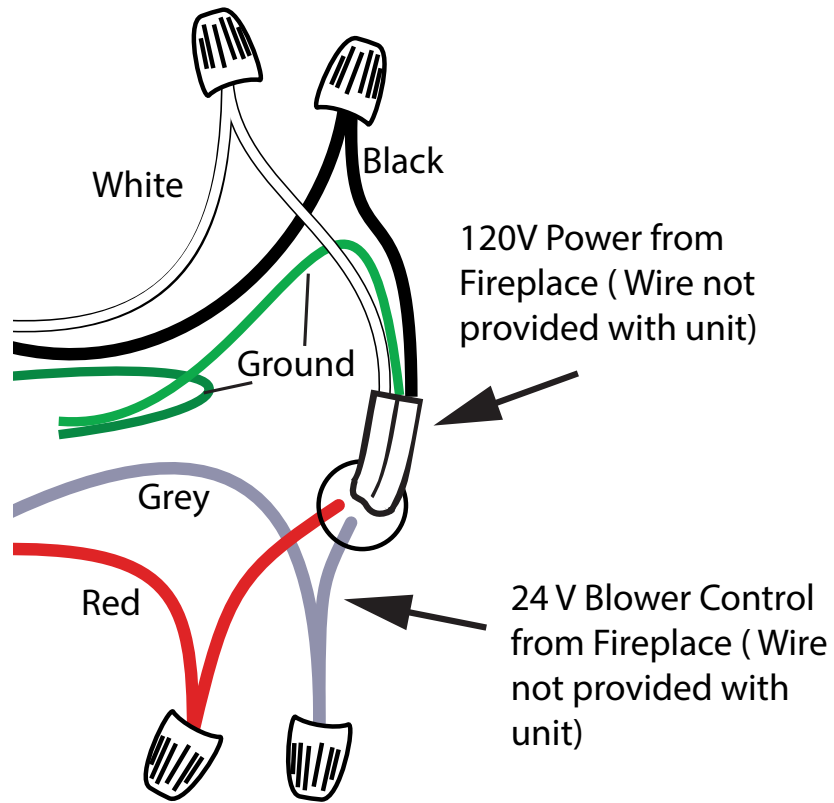


Figure 29: FMPV Wiring Diagram.

## Baffle Adjustment



Figure 30: Adjustable baffle ports.



Figure 31: Adjustment accessible through the baffle cover.

The air baffle (Figure 30) is set to fully open before it is shipped and might need adjustment. However, if adjustment is required, the sliding plates can be moved by inserting a screwdriver or other object up through the baffle cover (Figure 31). There is a bracket on either end of the baffle to use for easy adjustment. If the flame pattern is too hectic, close the baffle opening a half inch at a time and monitor the flame with all glass panes installed.

**NOTE:** The more you close the baffle, the more the outer glass temperature will rise, as less heat is being evacuated from the combustion zone.

The baffle cover is secured by six bolts (Figure 31). If removal of the baffle cover is necessary, always remove the two center bolts last, as well as installing them first when re-installing the baffle cover.

## Black Glass Option Installation

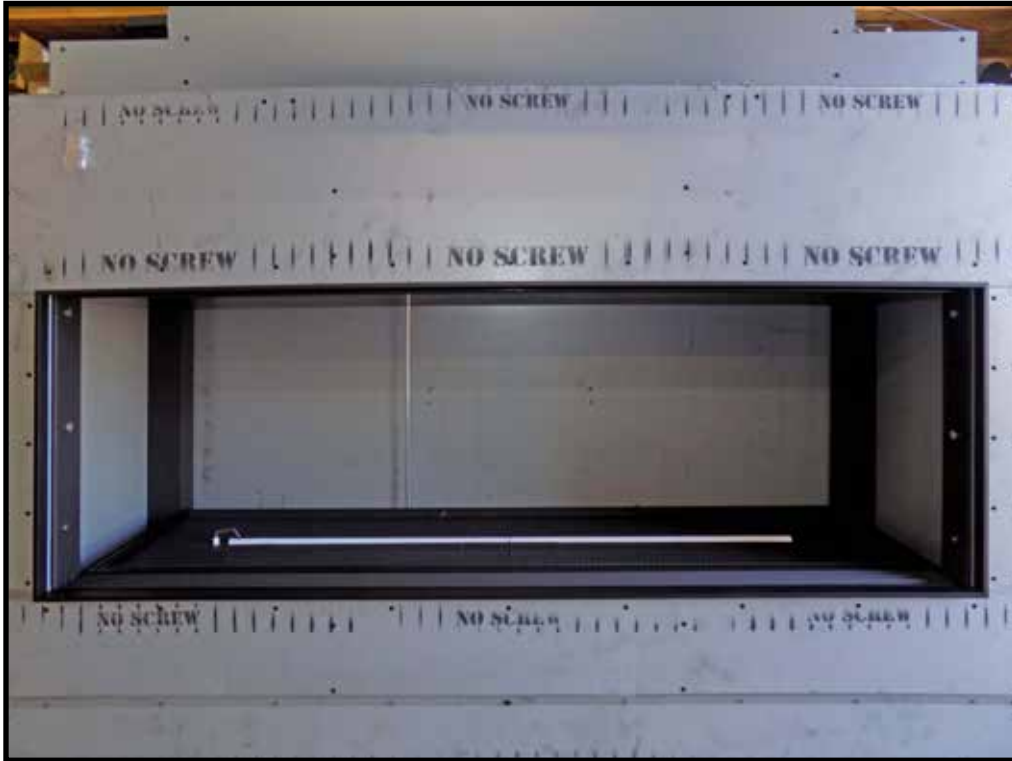


Figure 32: Single sided firebox before black glass installation.

**Note: Installation of the rear black glass plate is a two person job.**

1. Using the supplied suction cups, insert the top edge of the rear black glass plate into its slot located on the ceiling of the unit (Figure 33).



Figure 33: Insert top end of rear black glass plate first.





Figure 34: Lift bottom end of black glass over the rear mesh screen.

2. With the top edge of the plate lifted into its slot, maneuver the bottom edge of the plate over top of the mesh tray and lower the plate down into its slot (Figure 34).
3. Insert the top edge of the left hand black glass sheet into its slot located in the ceiling of the unit (Figure 36).



Figure 35: Rear black glass plate in place.



Figure 36: Insert top of side black glass first.



Figure 37: Insert bottom end of side black glass plate.



Figure 38: Insert opposite black glass plate.

4. With the top edge of the side plate lifted into its slot, maneuver the bottom edge of the plate over top of the pilot assembly and over the mesh tray and lower the plate down into its slot (Figure 37).
5. Repeat this procedure for installing a black glass plate for the right hand side (Figure 38).
6. Once all black glass plate are installed, fill the burner tray with crushed glass media.

## Glass Burner Media Installation



Figure 39: Twilight Diamond crushed glass media.



Figure 40: Crushed glass media in burner tray.

The amount of crushed glass media provided is dependent on the length of the unit. Four pounds are allotted for each foot length of the unit.

Spread all of the crushed glass media in the burner tray. Cover all of the black mesh burner tray but do not cover the pilot assembly or the burner ports.

# Front Glass Plates Installation

## Inner Glass Plate Installation

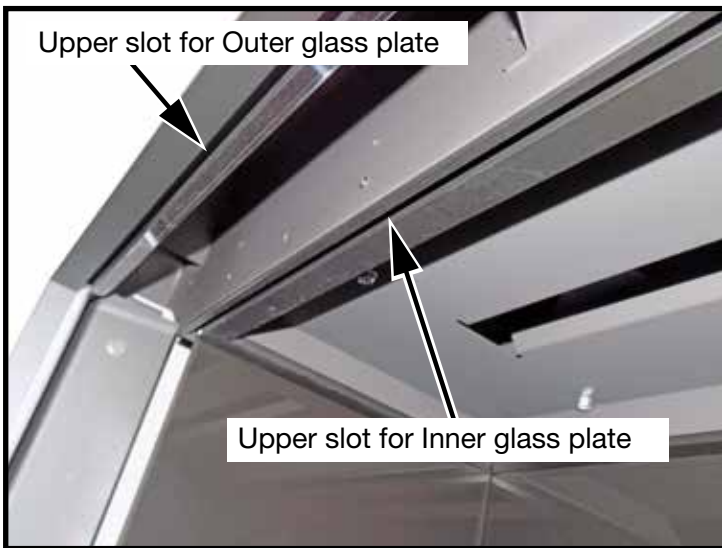


Figure 41: Upper slots for front glass plates.

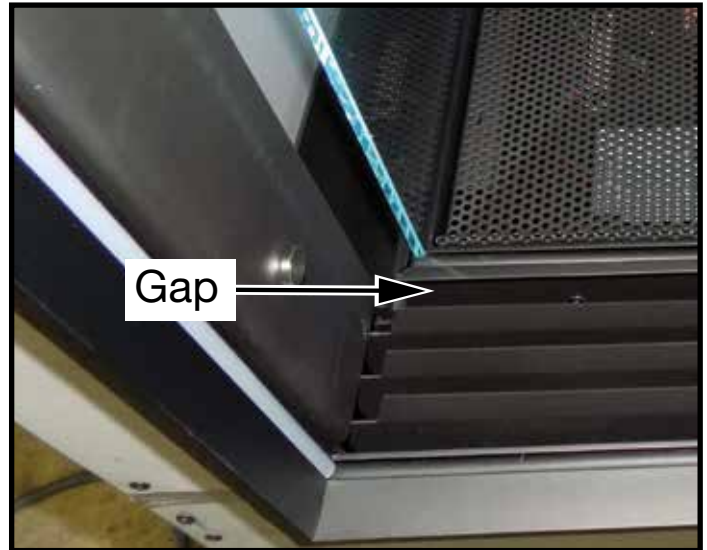


Figure 42: Insertion point between furthest louver and lower inside slot.

**Note: The following procedure may be a two person job depending on the length of the inner glass plate.**

Because of working space constraints, the upper edge of the inner glass plate cannot be immediately inserted into the upper inner slot (Figure 41) until the bottom edge of the glass plate has been lowered into the large gap between the furthest louver and the lower inner slot (Figure 42). Once the glass plate has been lowered into this gap the upper edge can then be lifted up into the upper inner slot.

1. There are 3 horizontal louvers at the bottom of the fireplace opening extending the length of the opening. The bottom edge of the inner glass plate will be inserted down into the gap behind the furthest louver (Figure 43).



Figure 43: Lowering bottom edge of inner plate into gap.



Figure 44: Raising top edge into the inner upper slot.

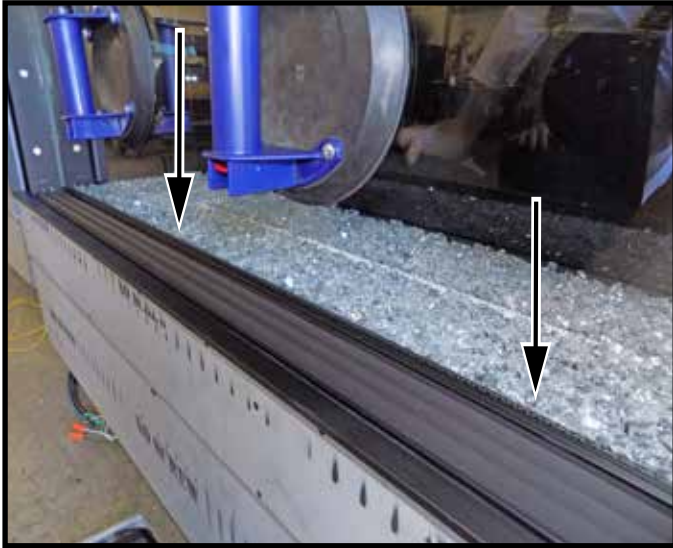


Figure 45: Lower the inside front plate into its slot.

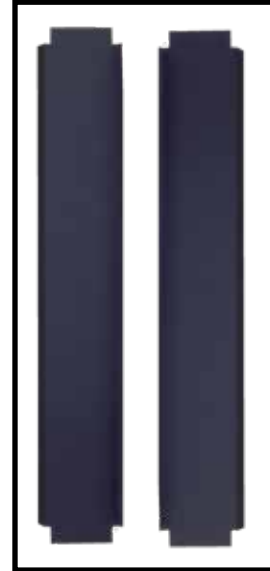


Figure 46: Inside securing plates.

2. Once the lower edge has been inserted into the gap, tilt the glass plate upward and into the upper inner slot (Figure 44).
3. With the upper edge of the glass plate inside the upper inner slot, tilt the glass plate toward the lower inner slot and lower the glass plate into this slot (Figure 45).
4. Install the inside securing plates (Figure 46) into the space between the inner and outer front glass plates. These securing plates are identical and have a flared edge which are installed so that the flared edges make contact with the inner glass sheet (Figure 47). These securing plates are held in place with magnets (Figure 48).

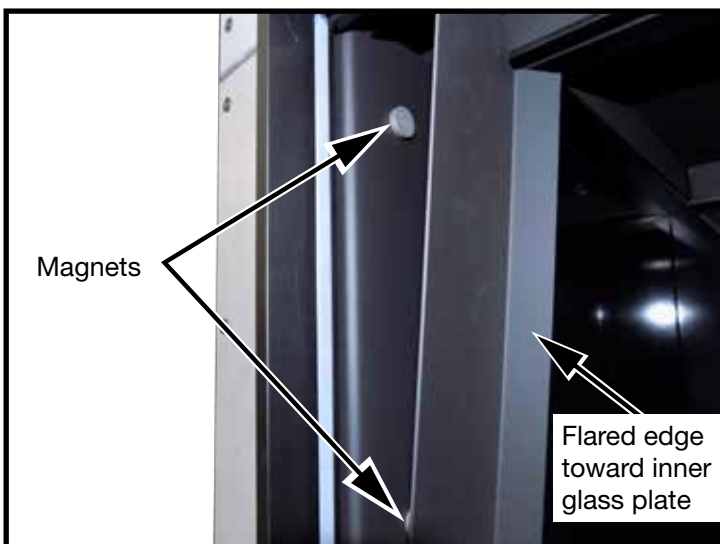


Figure 47: Left side securing plate installation.



Figure 48: Installing right side securing plate.



Figure 49: Position securing plate up against the inside glass plate.

5. Make sure that the securing plates are pushed up against the inner glass plate (Figure 49). This will keep the inner glass plate from vibrating

### Outer Glass Plate Installation

**Note: The following procedure may be a two person job depending on the length of the outer glass plate.**

1. Using the supplied suction cups, fit the upper edge of the outside front glass plate into its slot (Figure 50). Angle the lower edge into a vertical position and lower the pane into the bottom slot (Figure 51). Do not remove the suction handles yet as this sheet is to be moved once more.
2. Once the inside front glass sheet is installed, shift it so that it is centered in its frame and so that there is a gap of about 1/8" between the glass sheet and each side of the frame.



Figure 50: Insert top end of outer glass sheet in first.

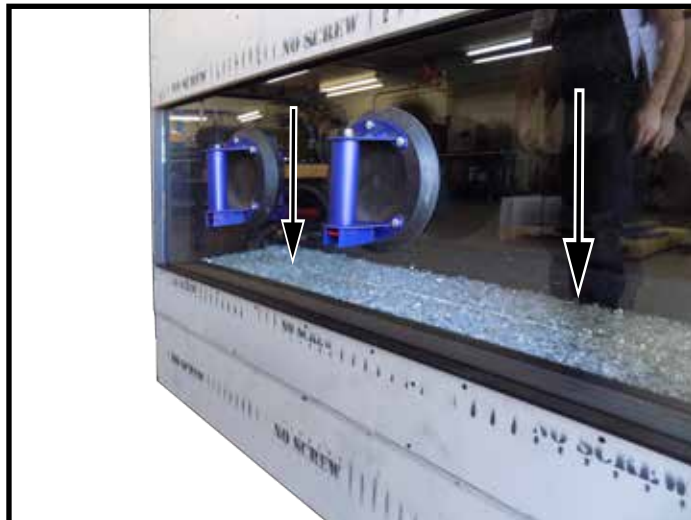


Figure 51: Outer glass plate lowered into its slot.

## Electrical Connection

Power to this unit is 120VAC. The electrical connection boxes are located behind a removable panel that runs the length of the lower side of the appliance.

After the panel is removed, the electrical connection box cover can be removed to access the wiring (Figure 52).

Once wiring is completed (Figure 55), power will be supplied to both the power vent and the main unit control module (Figure 53).

The optional motorized damper wiring is located behind the removable panel as well in the second connection box (Figure 54).

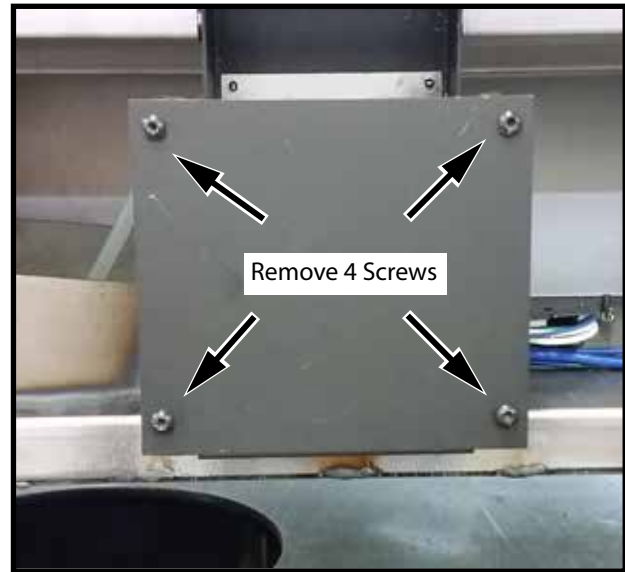


Figure 52: Electrical connection panel removed.

There will be a pair of wires for the appropriate number of dampers specified for the appliance. These wires are not polar specific. Low voltage wiring can be used for connecting the dampers.

The CAT5e cable is located here as well. Connect the Cat5e cable to the control panel wall receptacle (Figure 56). Ensure the wiring strain relief clamps are snug and secure.

Re-attach the box covers, followed by the compartment panel when all wiring is complete. Use aluminum tape to seal all seams of the compartment panel before attaching facing material.

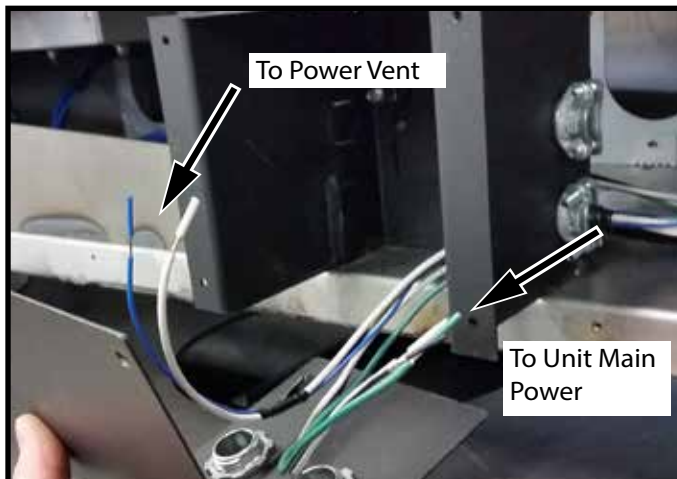


Figure 53: Inside of electrical connection box.

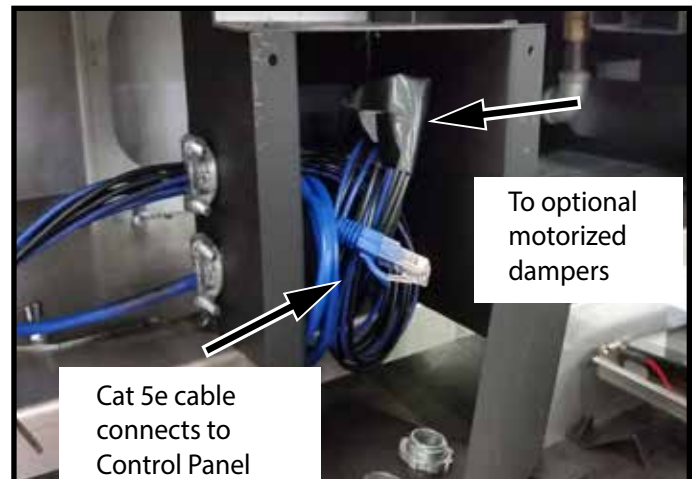


Figure 54: Motorized damper electrical connections.

# Electrical Diagram

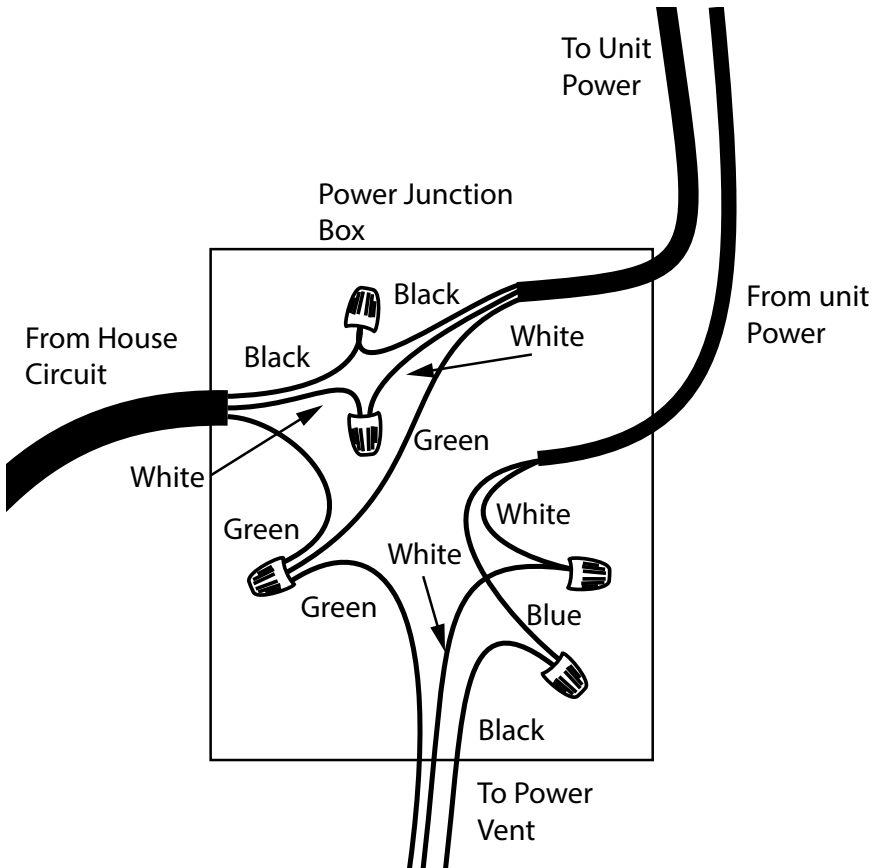


Figure 55: Wiring at fireplace - power.

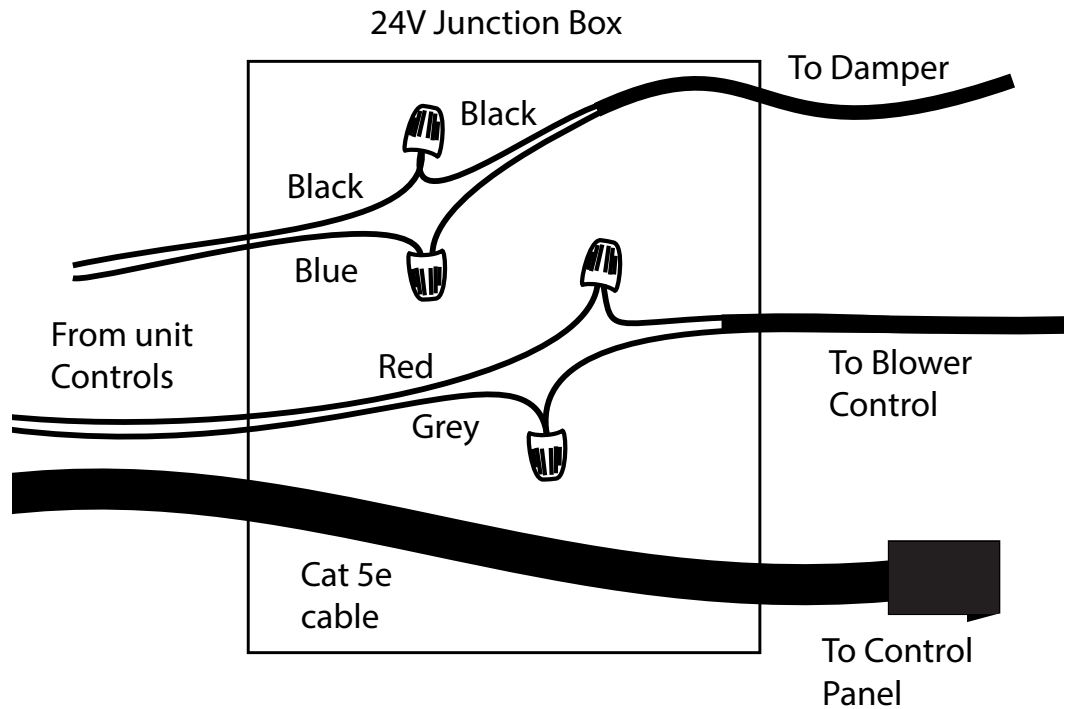


Figure 56: Wiring at fireplace - Dampers and controls.

# LED Strip Replacement

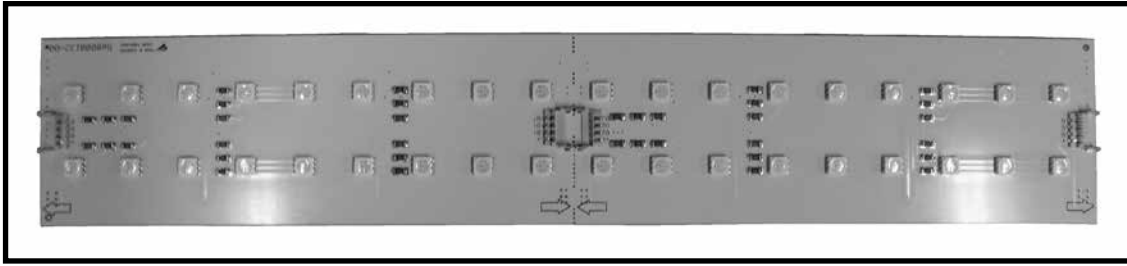


Figure 57: Individual LED section.

There are two rows of LED lights in this fire feature, one row on each side of the burner. Each row of LED lights is made of individual LED sections which can be joined together using bridge connectors to achieve the desired row length (Figure 58). Each row of sections also has its own main electrical connector (Figure 59).

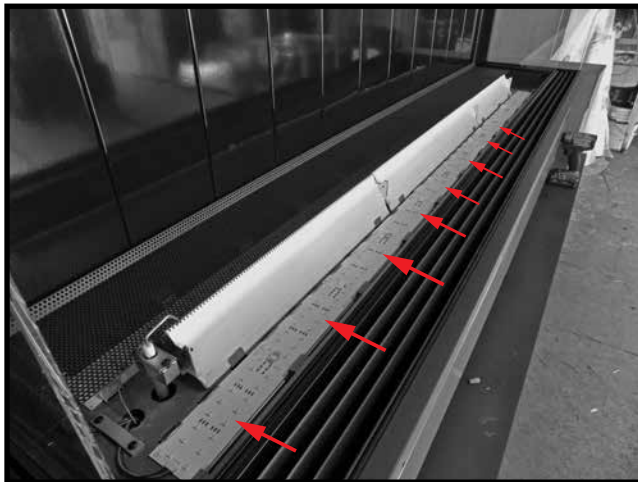


Figure 58: LED individual sections joined together.

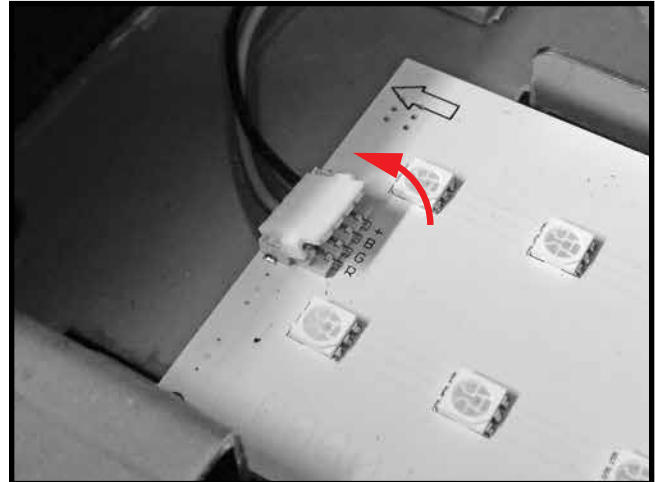


Figure 59: LED connector.

## Removing an LED section

1. To remove an individual LED section or sections, begin by disconnecting the main power to the fire feature at the main circuit breaker. Give time for the unit to cool down.
2. Remove the glass panels.
3. Remove the glass media and the relevant glass tray.
4. Disconnect the main electrical connection located on the left hand side of the fire feature by lifting the connector up as shown in.



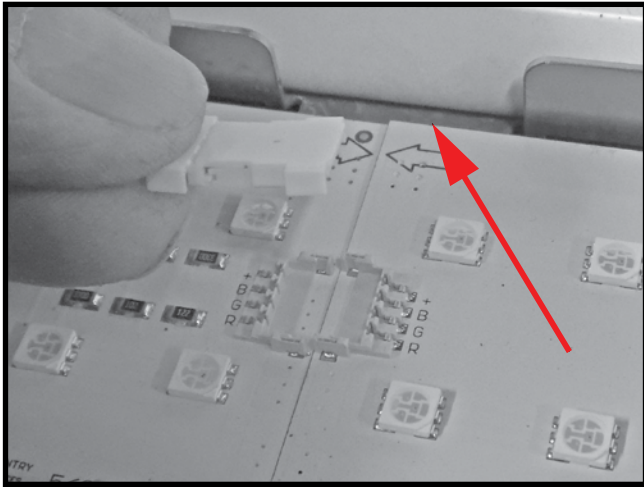


Figure 60: LED strip bridge connector.

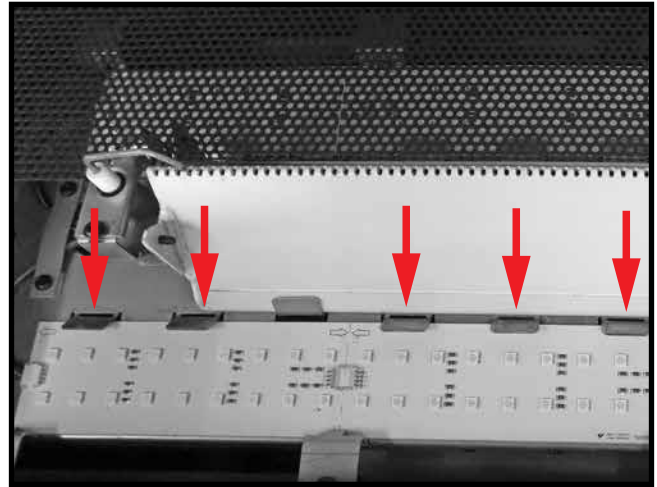


Figure 61: LED strip hold down tabs.

5. Remove the bridge connector of the LED section(s) to be replaced (Figure 60). These connector tabs lift up much like the main electrical connector. In this way, individual LED sections can be replaced without removing the entire row of LED sections from the fire feature.
6. The LED sections and rows are held in place by hold down tabs (Figure 61). These tabs can be lifted up so that the LED section can be removed.
7. When removing an individual LED section, lift up the side of the LED section next to the tabs that were just moved upwards and then remove the LED section (Figure 62).



Figure 62: LED strip removal.

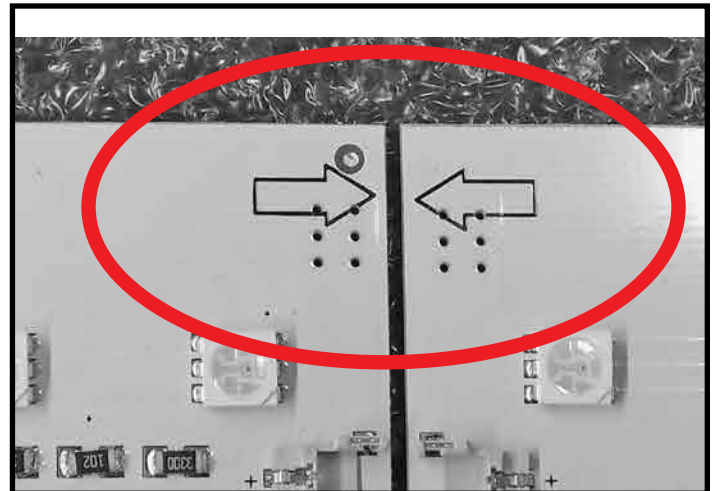


Figure 63: Arrows always meet.

**NOTE: When replacing an LED section, make sure that the arrows on the sections meet as shown in Figure 63. Whether joining full sized sections to other full sized sections, or when joining a full sized section to a short section, the arrows must meet each other. As you stand in front of the fire feature, the arrows will be located on the sides of the sections furthest away from you.**

8. Reconnect the individual LED sections using a bridge connector as shown in (Figure 60).
9. Reconnect the main electrical connector as shown in (Figure 59).
10. Return the glass tray(s), glass media and glass panels to their original positions.

## Control Panel Installation

**Please refer to the instructions included with your controls for installation.**

**NOTE:** The CAT5e cable has a maximum length of 50 feet and so the touch pad must be installed within this distance.

**NOTE:** Make sure that the ON/OFF switch is in the ON position before mounting the touch pad in its frame.

**NOTE:** Make sure that the AC power to this appliance is turned off before installing or servicing the touch pad.

## Gas Connection



Figure 64: Gas connection point.



Figure 65: Gas valve shut off.

All units ship with a multi-capped half inch NPT pipe for gas connection (Figure 64).

All units also ship with a gas valve shut-off (Figure 65). This shut-off handle is located on the right side of the glass door opening between the inner and outer glass panes. Push this handle down before installing the outer glass panes.

## Gas Pressure Requirements

### Natural Gas

Gas pressure requirements	
<b>Input Pressure</b>	<b>Natural Gas</b>
Minimum	5.0" IN/WC (1.24 kPa)
Maximum	7.0" IN/WC (1.74 kPa)
<b>Manifold Pressure</b>	
Maximum	3.5" IN/WC (0.87 kPa)

### Liquid Propane Gas

Gas pressure requirements	
<b>Input Pressure</b>	<b>Liquid Propane Gas</b>
Minimum	12.5" IN/WC (3.11 kPa)
Maximum	13.9" IN/WC (3.45 kPa)
<b>Manifold Pressure</b>	
Maximum	11.0" IN/WC (2.73 kPa)

# Lighting Instructions

## FOR YOUR SAFETY READ BEFORE LIGHTING

**Warning:** If you do not follow these instructions exactly, a fire or explosion may result causing property damage, personal injury or loss of life.

A. **BEFORE LIGHTING:** smell all around the appliance area for gas. Be sure to smell next to the floor because some gas is heavier than air and will settle on the floor.

### WHAT TO DO IF YOU SMELL GAS:

- Do not try to light any appliance.
- Do not touch any electrical switch; do not use any phone in your building.
- Immediately call your gas supplier from a neighbour's phone. Follow the supplier's instructions.
- If you cannot reach your gas supplier, call the fire department.

B. Do not use this appliance if any part has been under water. Immediately call a qualified service technician to inspect the appliance & to replace any part of the control system & any gas control which has been under water.

## LIGHTING INSTRUCTIONS

1. STOP! Read the safety information above this label.
2. Move switch to "ON" position (unit will purge for 10 seconds)
3. The appliance will try igniting 3 times. If the appliance fails to ignite, the control will lock out.
4. Call your service technician or retailer to rectify the issue.

## TO TURN OFF GAS APPLIANCE

1. Move switch to the "OFF" position (unit will post-purge for 15 seconds).
2. Turn off all electrical power to the appliance if service is to be performed or for extended shutdown.

**CAUTION:** Hot while in operation. Do not touch. Severe burns may result. Keep children, clothing, furniture, gasoline and other liquids having flammable vapours away. Keep burner and control compartments clean. See installation and operating instructions accompanying the appliance.

**ATTENTION:** L'appareil est chaud lorsqu'il fonctionne. Ne pas toucher l'appareil. Risque de brûlures graves. Surveiller les enfants. Garder les vêtements, le meubles, l'essence ou autres liquides produisant des vapeurs inflammables loin de l'appareil. S'assurer que le brûleur et le compartiment des commandes sont propres. Voir les instructions d'installation et d'utilisation qui accompagnent l'appareil.

---

## Maintenance

---

### CAUTION:

Turn off gas and electrical power supply (if applicable) and allow ample time for unit to cool before servicing appliance. It is recommended that the fire feature and its venting be inspected at least once a year by a qualified service person.

### GLASS PANEL:

Warning: Do not operate fire feature with glass panel removed, cracked or broken. Replacement of the glass panel should be done by a licensed or qualified service person.

Do not strike or otherwise impact the glass in anyway that may cause it to break. If the glass becomes cracked or broken it must be replaced before using the fire feature. Replacement glass can be obtained from your nearest Town & Country Fireplaces dealer.

### ANNUAL INSPECTION:

- a) Remove glass panel and inspect the Burner and Igniter for soot build up. If excessive build up of soot is present, have a qualified service person inspect and adjust the unit for proper combustion.
- b) Check that the venting pipe and venting terminal are open and free from blockage or debris. If the venting is disassembled for cleaning, it must be properly assembled and re-sealed. Refer to VENTING section for proper procedure.

**Note: The appliance area must be kept clear and free from combustible materials, gasoline and other flammable vapours and liquids.**

### Periodically:

- a) Viewing glass may be cleaned as necessary with fireplace glass cleaner.

### CAUTION:

Do not use abrasive cleaners on glass or any other part of the fire feature.

Do not clean glass when hot.

# Replaceable Parts

ITEM No.	ITEM DESCRIPTION
80001338	Switch Vacuum, .6" WC, Pellet / Architectural
80002698	Touch Screen Display, Control Ver. 1.5 B, Architectural
80002335	Burner Media, Non Reflective Glass, Ice, 4LB, Architectural
80002367	Valve assembly with transducer / fittings, Architectural
80002368	Pressure transducer, Architectural
80002369	Ignition Module, Helifire / Architectural
80002370	Transformer 24 volt, Architectural
80002371	Transformer 12 volt, Architectural
80002372	LED board short, Architectural
80002373	LED board long, Architectural
80002374	Suction cup, Architectural
80002379	Toggle switch, Architectural

# Rating Label



TOWN & COUNTRY  
FIREPLACES™

MODEL/ MODELE: ■  
3FT ARCHITECTURAL  
SERIES

SERIES/ SERIE: A

MADE IN CANADA  
FABRIQUE AU CANADA

**VENTED GAS FIREPLACE - NOT FOR USE WITH SOLID FUEL  
FOYER AU GAZ À ÉVACUATION - NE PAS UTILISER AVEC DU  
COMBUSTIBLE SOLIDE**

723

**THIS IS A DECORATIVE PRODUCT AND IS NOT INTENDED  
TO BE USED AS A HEATING APPLIANCE.**

P.4.1-15 Efficiency: 9.9%

ANSI Z21.50 / CSA 2.22 (2016) Vented Decorative Gas Appliance.  
Certified for / Certifié pour Canada and U.S.A.

This Appliance is Equipped For Use With / Cet Appareil est Équipé Pour Utiliser Avec :		
NATURAL GAS / DU GAZ NATUREL	■	L.P. GAS / DU GAZ L.P.
<b>FOR USE WITH/ EN CASE D'EMPLOI AVEC:</b>	<b>NATURAL GAS/ DU GAZ NATUREL</b>	<b>L.P GAS/ DU GAZ L.P.</b>
Minimum supply pressure / Pression minimum d'alimentation: (For the purpose of input adjustment / dans le but de régler l'alimentation)	5.0 in/wc / 5.0 po/c.e. (1.24 kPa)	12.5 in/wc / 12.5 po/c.e. (3.11 kPa)
Maximum supply pressure / Pression maximum d'alimentation:	7.0 in/wc / 7.0 po/c.e. (1.74 kPa)	13.9 in/wc / 13.9 po/c.e. (3.45 kPa)
Manifold pressure / Pression de la tuyauterie: Maximum	3.50 in/wc / 3.50 po/c.e. (0.87 kPa)	11.0 in/wc / 13.9 po/c.e. (2.73 kPa)
Orifice Size / Diametre de l'injecteur:	NA X2	LA X2
Input BTU/hr (kW) / Entree BTU/h (kW):	Max.: 48,000 (14.06)	Max.: 48,000 (14.06)

Blower electrical rating: 115v, 60hz, 5.9 A / Normes electriques du ventilateur: 115v, 60hz, 5.9 A

This appliance equipped for altitudes 0 - 4500 ft. (0 - 1371.6 m) / Cet unité est conçu pour des altitudes variant entre 0 - 4500 pieds (0 - 1371.6 m). In Canada, also certified for installation in a bedroom or a bed sitting room / Aussi certifié pour installation dans une chambre à coucher ou une salle de séjour. This appliance must be installed in accordance with local codes, if any; if none, follow the current CAN/CGA-B149 (Canada), or ANSI Z223.1 (USA) Installation Codes. Installer l'appareil selon les codes ou règlements locaux, ou, en l'absence de tels règlements, selon les codes d'installation CAN/CGA-B149 (Canada), or ANSI Z223.1 (USA) en vigueur.

**MANUFACTURED (MOBILE) HOME:** This appliance is only for use with the type of gas indicated on the rating plate and may be installed in an aftermarket, permanently located, manufactured (mobile) home where not prohibited by local codes. See owners manual for details.  
**FABRIQUEZ (MOBILE) MAISON:** Cet appareil doit être utilisé uniquement avec le type de gaz indiqué sur la plaque signalétique et peut être installé dans une maison préfabriquée (mobile) installée à demeure si les règlements locaux le permettent. Voir la notice du propriétaire pour plus de détails. Cet appareil ne peut être converti à d'autres gaz sauf si une trousse de conversion certifiée est utilisée.  
Install in accordance with the current standard Mobile Homes, CAN/CSA Z240 MH (in CANADA), and the Manufacturer's Home Construction and Safety Standard, Title 24 CFR, Part 3280, or the current Standard for Fire Safety Criteria for Manufactured Home Installations, Sites, and Communities ANSI/NFPA 501A, (in the U.S.A.). Cet appareil doit être installé conformément aux exigences de la norme CAN/CSA Z240 MH en vigueur de l'ACNOR, Installations de gaz dans les Constructions Mobiles.

**FOR USE WITH THE GLASS CERTIFIED WITH THE APPLIANCE ONLY / POUR UTILISATION UNIQUEMENT AVEC LES PORTES IN VERRE  
CERTIFIÉES AVEC L'APPAREIL**

**MINIMUM CLEARANCES TO COMBUSTIBLES / CLAIRANCES MINIMALES AVEC LES COMBUSTIBLE**  
Left and Right side are determined when facing the front of the appliance. / Les côtés droit et gauche se déterminent en se mettant devant l'appareil et en lui faisant face.

Top, Back and Side Standoffs / Sommet, Arrière et Côté Butée	0 in./ 0 po.	(0 mm)
Sidewall to Appliance / Du mur latéral à l'appareil	0 in./ 0 po.	(0 mm)
Ceiling to Appliance / Plafond à l'appareil	0 in./ 0 po.	(0 mm)
Mantel to Appliance / Du manteau à l'appareil	0 in./ 0 po.	(0 mm)
Maximum Mantel Extension / Allongement maximum du manteau	0 in./ 0 po.	(0 mm)
*See Installation Manual for more detail / Voyez des Directive de l'Installation pour plus détails.		
Mantel Supports / Supports du manteau	0 in./ 0 po.	(0 mm)
Vent Pipe / Décharge le Tuyau	0 in./ 0 po.	(0 mm)

**WARNING:** Improper installation, adjustment, alteration, service or maintenance can cause injury or property damage. Refer to the owner's information manual provided with this appliance. For assistance or additional information, consult a qualified installer, service agency or the gas supplier.

**AVERTISSEMENT:** Une installation, un réglage, une modification, une réparation ou un entretien mal effectué peut causer des dommages matériels ou des blessures. Voir la notice de l'utilisateur qui accompagne l'appareil. Pour de l'aide ou des renseignements supplémentaires, consultez un installateur, un technicien agréé ou le fournisseur de gaz.

101218

568000065

3FT Architectural Series

Pacific Energy  
Fireplace Products Ltd.  
Duncan, British Columbia,  
Canada

DATE OF MANUFACTURE				
JAN	FEB	MAR	APR	2018
MAY	JUN	JUL	AUG	2019
SEP	OCT	NOV	DEC	2020



**VENTED GAS FIREPLACE - NOT FOR USE WITH SOLID FUEL  
FOYER AU GAZ À ÉVACUATION - NE PAS UTILISER AVEC DU  
COMBUSTIBLE SOLIDE**

**724**

**THIS IS A DECORATIVE PRODUCT AND IS NOT INTENDED  
TO BE USED AS A HEATING APPLIANCE.**

P.4.1-15 Efficiency: 11.4%

TOWN & COUNTRY  
FIREPLACES™

ANSI Z21.50 / CSA 2.22 (2016) Vented Decorative Gas Appliance.  
Certified for / Certifié pour Canada and U.S.A.

This Appliance is Equipped For Use With /  
Cet Appareil est Équipé Pour Utiliser Avec :  
**NATURAL GAS / DU GAZ NATUREL** ■ **L.P. GAS / DU GAZ L.P.**

MODEL/  
MODELE: ■

4FT ARCHITECTURAL  
SERIES

SERIES/  
SERIE: **A**

MADE IN CANADA  
FABRIQUE AU CANADA

FOR USE WITH/ EN CASE D'EMPLOI AVEC:	NATURAL GAS/ DU GAZ NATUREL	L.P GAS/ DU GAZ L.P.
Minimum supply pressure / Pression minimum d'alimentation: <small>(For the purpose of input adjustment / dans le but de régler l'alimentation)</small> Maximum supply pressure / Pression maximum d'alimentation:	5.0 in/wc / 5.0 po/c.e. (1.24 kPa) 7.0 in/wc / 7.0 po/c.e. (1.74 kPa)	12.5 in/wc / 12.5 po/c.e. (3.11 kPa) 13.9 in/wc / 13.9 po/c.e. (3.45 kPa)
Manifold pressure / Pression de la tuyauterie: Maximum	3.50 in/wc / 3.50 po/c.e. (0.87 kPa)	11.0 in/wc / 13.9 po/c.e. (2.73 kPa)
Orifice Size / Diametre de l'injecteur:	NB X2	LB X2
Input BTU/hr (kW) / Entree BTU/h (kW):	Max.: 64,000 (18.75)	Max.: 64,000 (18.75)

Blower electrical rating: 115v, 60hz, 5.9 A / Normes electriques du ventilateur: 115v, 60hz, 5.9 A  
This appliance equipped for altitudes 0 - 4500 ft. (0 - 1371.6 m) / Cet unité est conçu pour des altitudes variant entre 0 - 4500 pieds (0 - 1371.6 m). In Canada, also certified for installation in a bedroom or a bed sitting room / Aussi certifié pour installation dans une chambre à coucher ou une salle de séjour. This appliance must be installed in accordance with local codes, if any; if none, follow the current CAN/CGA-B149 (Canada), or ANSI Z223.1 (USA) Installation Codes. Installer l'appareil selon les codes ou règlements locaux, ou, en l'absence de tels règlements, selon les codes d'installation CAN/CGA-B149 (Canada), or ANSI Z223.1 (USA) en vigueur.

MANUFACTURED (MOBILE) HOME: This appliance is only for use with the type of gas indicated on the rating plate and may be installed in an aftermarket, permanently located, manufactured (mobile) home where not prohibited by local codes. See owners manual for details.  
FABRIQUEZ (MOBILE) MAISON: Cet appareil doit être utilisé uniquement avec le type de gaz indiqué sur la plaque signalétique et peut être installé dans une maison préfabriquée (mobile) installée à demeure si les règlements locaux le permettent. Voir la notice du propriétaire pour plus de détails. Cet appareil ne peut être converti à d'autres gaz sauf si une trousse de conversion certifiée est utilisée.  
Install in accordance with the current standard Mobile Homes, CAN/CSA Z240 MH (in CANADA), and the Manufacturer's Home Construction and Safety Standard, Title 24 CFR, Part 3280, or the current Standard for Fire Safety Criteria for Manufactured Home Installations, Sites, and Communities ANSI/NFPA 501A, (in the U.S.A.). Cet appareil doit être installé conformément aux exigences de la norme CAN/CSA Z240 MH en vigueur de l'ACNOR, Installations de gaz dans les Constructions Mobiles.

FOR USE WITH THE GLASS CERTIFIED WITH THE APPLIANCE ONLY / POUR UTILISATION UNIQUEMENT AVEC LES PORTES IN VERRE  
CERTIFIÉES AVEC L'APPAREIL

MINIMUM CLEARANCES TO COMBUSTIBLES / CLAIRANCES MINIMALES AVEC LES COMBUSTIBLE		
Left and Right side are determined when facing the front of the appliance. / Les côtés droit et gauche se déterminent en se mettant devant l'appareil et en lui faisant face.		
Top, Back and Side Standoffs / Sommet, Arrière et Côté Butée	0 in./ 0 po.	(0 mm)
Sidewall to Appliance / Du mur latéral à l'appareil	0 in./ 0 po.	(0 mm)
Ceiling to Appliance / Plafond à l'appareil	0 in./ 0 po.	(0 mm)
Mantel to Appliance / Du manteau à l'appareil	0 in./ 0 po.	(0 mm)
Maximum Mantel Extension / Allongement maximum du manteau <small>*See Installation Manual for more detail / Voyez des Directive de l'Installation pour plus détails.</small>	0 in./ 0 po.	(0 mm)
Mantel Supports / Supports du manteau	0 in./ 0 po.	(0 mm)
Vent Pipe / Déchargez le Tuyau	0 in./ 0 po.	(0 mm)

Pacific Energy  
Fireplace Products Ltd.  
Duncan, British Columbia,  
Canada

DATE OF MANUFACTURE				
JAN	FEB	MAR	APR	2018
MAY	JUN	JUL	AUG	2019
SEP	OCT	NOV	DEC	2020

WARNING: Improper installation, adjustment, alteration, service or maintenance can cause injury or property damage. Refer to the owner's information manual provided with this appliance. For assistance or additional information, consult a qualified installer, service agency or the gas supplier.  
AVERTISSEMENT: Une installation, un réglage, une modification, une réparation ou un entretien mal effectué peut causer des dommages matériels ou des blessures. Voir la notice de l'utilisateur qui accompagne l'appareil. Pour de l'aide ou des renseignements supplémentaires, consultez un installateur, un technicien agréé ou le fournisseur de gaz.

101218

568000066

4FT Architectural Series





TOWN & COUNTRY  
FIREPLACES™

MODEL /  
MODELE: ■

5FT ARCHITECTURAL  
SERIES

SERIES /  
SERIE: A

MADE IN CANADA  
FABRIQUE AU CANADA

**VENTED GAS FIREPLACE - NOT FOR USE WITH SOLID FUEL  
FOYER AU GAZ À ÉVACUATION - NE PAS UTILISER AVEC DU  
COMBUSTIBLE SOLIDE**

725

**THIS IS A DECORATIVE PRODUCT AND IS NOT INTENDED  
TO BE USED AS A HEATING APPLIANCE.**

P.4.1-15 Efficiency: 12.8%

ANSI Z21.50 / CSA 2.22 (2016) Vented Decorative Gas Appliance.

Certified for / Certifié pour Canada and U.S.A.

This Appliance is Equipped For Use With /  
Cet Appareil est Équipé Pour Utiliser Avec :  
**NATURAL GAS /** ■ **L.P. GAS /**  
**DU GAZ NATUREL** **DU GAZ L.P.**

FOR USE WITH/ EN CASE D'EMPLOI AVEC:	NATURAL GAS/ DU GAZ NATUREL	L.P GAS/ DU GAZ L.P.
Minimum supply pressure / Pression minimum d'alimentation: (For the purpose of input adjustment / dans le but de régler l'alimentation)	5.0 in/wc / 5.0 po/c.e. (1.24 kPa)	12.5 in/wc / 12.5 po/c.e. (3.11 kPa)
Maximum supply pressure / Pression maximum d'alimentation:	7.0 in/wc / 7.0 po/c.e. (1.74 kPa)	13.9 in/wc / 13.9 po/c.e. (3.45 kPa)
Manifold pressure / Pression de la tuyauterie: Maximum	3.50 in/wc / 3.50 po/c.e. (0.87 kPa)	11.0 in/wc / 13.9 po/c.e. (2.73 kPa)
Orifice Size / Diametre de l'injecteur:	NA X2 & NB X1	LA X2 & LB X1
Input BTU/hr (kW) / Entree BTU/h (kW):	Max.: 80,000 (23.44)	Max.: 80,000 (23.44)

Blower electrical rating: 115v, 60hz, 5.9 A / Normes electriques du ventilateur: 115v, 60hz, 5.9 A

This appliance equipped for altitudes 0 - 4500 ft. (0 - 1371.6 m) / Cet unité est conçu pour des altitudes variant entre 0 - 4500 pieds (0 - 1371.6 m). In Canada, also certified for installation in a bedroom or a bedsitting room / Aussi certifié pour installation dans une chambre à coucher ou une salle de séjour. This appliance must be installed in accordance with local codes, if any; if none, follow the current CAN/CGA-B149 (Canada), or ANSI Z223.1 (USA) Installation Codes. Installer l'appareil selon les codes ou règlements locaux, ou, en l'absence de tels règlements, selon les codes d'installation CAN/CGA-B149 (Canada), or ANSI Z223.1 (USA) en vigueur.

**MANUFACTURED (MOBILE) HOME:** This appliance is only for use with the type of gas indicated on the rating plate and may be installed in an aftermarket, permanently located, manufactured (mobile) home where not prohibited by local codes. See owners manual for details.

**FABRIQUEZ (MOBILE) MAISON:** Cet appareil doit être utilisé uniquement avec le type de gaz indiqué sur la plaque signalétique et peut être installé dans une maison préfabriquée (mobile) installée à demeure si les règlements locaux le permettent. Voir la notice du propriétaire pour plus de détails. Cet appareil ne peut être converti à d'autres gaz sauf si une trousse de conversion certifiée est utilisée.

Install in accordance with the current standard Mobile Homes, CAN/CSA Z240 MH (in CANADA), and the Manufacturer's Home Construction and Safety Standard, Title 24 CFR, Part 3280, or the current Standard for Fire Safety Criteria for Manufactured Home Installations, Sites, and Communities ANSI/NFPA 501A, (in the U.S.A.). Cet appareil doit être installé conformément aux exigences de la norme CAN/CSA Z240 MH en vigueur de l'ACNOR, Installations de gaz dans les Constructions Mobiles.

**FOR USE WITH THE GLASS CERTIFIED WITH THE APPLIANCE ONLY / POUR UTILISATION UNIQUEMENT AVEC LES PORTES IN VERRE  
CERTIFIÉES AVEC L'APPAREIL**

**MINIMUM CLEARANCES TO COMBUSTIBLES / CLAIRANCES MINIMALES AVEC LES COMBUSTIBLE**  
Left and Right side are determined when facing the front of the appliance. / Les côtés droit et gauche se déterminent en se mettant devant l'appareil et en lui faisant face.

Top, Back and Side Standoffs / Sommet, Arrière et Côté Butée	0 in./ 0 po.	(0 mm)
Sidewall to Appliance / Du mur latéral a l'appareil	0 in./ 0 po.	(0 mm)
Ceiling to Appliance / Plafond a l'appareil	0 in./ 0 po.	(0 mm)
Mantel to Appliance / Du manteau al'appareil	0 in./ 0 po.	(0 mm)
Maximum Mantel Extension / Allongement maximum du manteau	0 in./ 0 po.	(0 mm)
*See Installation Manual for more detail / Voyez des Directive de l'Installation pour plus détails.		
Mantel Supports / Supports du manteau	0 in./ 0 po.	(0 mm)
Vent Pipe / Déchargez le Tuyau	0 in./ 0 po.	(0 mm)

**WARNING:** Improper installation, adjustment, alteration, service or maintenance can cause injury or property damage. Refer to the owner's information manual provided with this appliance. For assistance or additional information, consult a qualified installer, service agency or the gas supplier.

**AVERTISSEMENT:** Une installation, un réglage, une modification, une réparation ou un entretien mal effectué peut causer des dommages matériels ou des blessures. Voir la notice de l'utilisateur qui accompagne l'appareil. Pour de l'aide ou des renseignements supplémentaires, consultez un installateur, un technicien agréé ou le fournisseur de gaz.

101218

56800067

Pacific Energy  
Fireplace Products Ltd.  
Duncan, British Columbia,  
Canada

**DATE OF MANUFACTURE**

JAN	FEB	MAR	APR	2018
MAY	JUN	JUL	AUG	2019
SEP	OCT	NOV	DEC	2020

5FT Architectural Series





TOWN & COUNTRY  
FIREPLACES™

MODEL/  
MODELE: ■

6FT ARCHITECTURAL  
SERIES

SERIES/  
SERIE: A

MADE IN CANADA  
FABRIQUE AU CANADA

**VENTED GAS FIREPLACE - NOT FOR USE WITH SOLID FUEL  
FOYER AU GAZ À ÉVACUATION - NE PAS UTILISER AVEC DU  
COMBUSTIBLE SOLIDE**

**THIS IS A DECORATIVE PRODUCT AND IS NOT INTENDED  
TO BE USED AS A HEATING APPLIANCE.**

726

P.4.1-15 Efficiency: 14.3%

ANSI Z21.50 / CSA 2.22 (2016) Vented Decorative Gas Appliance.  
Certified for / Certifié pour Canada and U.S.A.

This Appliance is Equipped For Use With /  
Cet Appareil est Équipé Pour Utiliser Avec :

NATURAL GAS / L.P. GAS /  
DU GAZ NATUREL ■ DU GAZ L.P.

FOR USE WITH/ EN CASE D'EMPLOI AVEC:	NATURAL GAS/ DU GAZ NATUREL	L.P GAS/ DU GAZ L.P.
Minimum supply pressure / Pression minimum d'alimentation: (For the purpose of input adjustment / dans le but de régler l'alimentation)	5.0 in/wc / 5.0 po/c.e. (1.24 kPa)	12.5 in/wc / 12.5 po/c.e. (3.11 kPa)
Maximum supply pressure / Pression maximum d'alimentation:	7.0 in/wc / 7.0 po/c.e. (1.74 kPa)	13.9 in/wc / 13.9 po/c.e. (3.45 kPa)
Manifold pressure / Pression de la tuyauterie: Maximum	3.50 in/wc / 3.50 po/c.e. (0.87 kPa)	11.0 in/wc / 13.9 po/c.e. (2.73 kPa)
Orifice Size / Diametre de l'injecteur:	NB X3	LB X3
Input BTU/hr (kW) / Entree BTU/h (kW):	Max.: 96,000 (28.13)	Max.: 96,000 (28.13)

Blower electrical rating: 115v, 60hz, 5.9 A / Normes electriques du ventilateur: 115v, 60hz, 5.9 A

This appliance equipped for altitudes 0 - 4500 ft. (0 - 1371.6 m) / Cet unité est conçu pour des altitudes variant entre 0 - 4500 pieds (0 - 1371.6 m). In Canada, also certified for installation in a bedroom or a bedsitting room / Aussi certifié pour installation dans une chambre à coucher ou une salle de séjour. This appliance must be installed in accordance with local codes, if any; if none, follow the current CAN/CGA-B149 (Canada), or ANSI Z223.1 (USA) Installation Codes. Installer l'appareil selon les codes ou règlements locaux, ou, en l'absence de tels règlements, selon les codes d'installation CAN/CGA-B149 (Canada), or ANSI Z223.1 (USA) en vigueur.

**MANUFACTURED (MOBILE) HOME:** This appliance is only for use with the type of gas indicated on the rating plate and may be installed in an aftermarket, permanently located, manufactured (mobile) home where not prohibited by local codes. See owners manual for details.

**FABRIQUEZ (MOBILE) MAISON:** Cet appareil doit être utilisé uniquement avec le type de gaz indiqué sur la plaque signalétique et peut être installé dans une maison préfabriquée (mobile) installée à demeure si les règlements locaux le permettent. Voir la notice du propriétaire pour plus de détails. Cet appareil ne peut être converti à d'autres gaz sauf si une trousse de conversion certifiée est utilisée.

Install in accordance with the current standard Mobile Homes, CAN/CSA Z240 MH (in CANADA), and the Manufacturer's Home Construction and Safety Standard, Title 24 CFR, Part 3280, or the current Standard for Fire Safety Criteria for Manufactured Home Installations, Sites, and Communities ANSI/NFPA 501A, (in the U.S.A.). Cet appareil doit être installé conformément aux exigences de la norme CAN/CSA Z240 MH en vigueur de l'ACNOR, Installations de gaz dans les Constructions Mobiles.

FOR USE WITH THE GLASS CERTIFIED WITH THE APPLIANCE ONLY / POUR UTILISATION UNIQUEMENT AVEC LES PORTES IN VERRE  
CERTIFIÉES AVEC L'APPAREIL

**MINIMUM CLEARANCES TO COMBUSTIBLES / CLAIRANCES MINIMALES AVEC LES COMBUSTIBLE**  
Left and Right side are determined when facing the front of the appliance. / Les côtés droit et gauche se déterminent en se mettant devant l'appareil et en lui faisant face.

Top, Back and Side Standoffs / Sommet, Arrière et Côté Butée	0 in./ 0 po.	(0 mm)
Sidewall to Appliance / Du mur latéral a l'appareil	0 in./ 0 po.	(0 mm)
Ceiling to Appliance / Plafond a l'appareil	0 in./ 0 po.	(0 mm)
Mantel to Appliance / Du manteau al'appareil	0 in./ 0 po.	(0 mm)
Maximum Mantel Extension / Allongement maximum du manteau	0 in./ 0 po.	(0 mm)
*See Installation Manual for more detail / Voyez des Directive de l'Installation pour plus détails.		
Mantel Supports / Supports du manteau	0 in./ 0 po.	(0 mm)
Vent Pipe / Déchargez le Tuyau	0 in./ 0 po.	(0 mm)

Pacific Energy  
Fireplace Products Ltd.  
Duncan, British Columbia,  
Canada

**DATE OF MANUFACTURE**

JAN	FEB	MAR	APR	2018
MAY	JUN	JUL	AUG	2019
SEP	OCT	NOV	DEC	2020

**WARNING:** Improper installation, adjustment, alteration, service or maintenance can cause injury or property damage. Refer to the owner's information manual provided with this appliance. For assistance or additional information, consult a qualified installer, service agency or the gas supplier.

**AVERTISSEMENT:** Une installation, un réglage, une modification, une réparation ou un entretien mal effectué peut causer des dommages matériels ou des blessures. Voir la notice de l'utilisateur qui accompagne l'appareil. Pour de l'aide ou des renseignements supplémentaires, consultez un installateur, un technicien agréé ou le fournisseur de gaz.

101218

568000068

6FT Architectural Series



TOWN & COUNTRY  
FIREPLACES™

MODEL/ MODELE: XXXX  
7FT ARCHITECTURAL  
SERIES

SERIES/ SERIE: **A**

MADE IN CANADA  
FABRIQUE AU CANADA

**VENTED GAS FIREPLACE - NOT FOR USE WITH SOLID FUEL  
FOYER AU GAZ À ÉVACUATION - NE PAS UTILISER AVEC DU  
COMBUSTIBLE SOLIDE**

**727**

P.4.1-15 Efficiency: 15.7%

**THIS IS A DECORATIVE PRODUCT AND IS NOT INTENDED  
TO BE USED AS A HEATING APPLIANCE.**

ANSI Z21.50 / CSA 2.22 (2016) Vented Decorative Gas Appliance.  
Certified for / Certifié pour Canada and U.S.A.

This Appliance is Equipped For Use With / Cet Appareil est Équipé Pour Utiliser Avec :	
NATURAL GAS / DU GAZ NATUREL	L.P. GAS / DU GAZ L.P.
<b>FOR USE WITH/ EN CASE D'EMPLOI AVEC:</b>	<b>NATURAL GAS/ DU GAZ NATUREL</b>
Minimum supply pressure / Pression minimum d'alimentation: (For the purpose of input adjustment / dans le but de régler l'alimentation)	5.0 in/wc / 5.0 po/c.e. (1.24 kPa)
Maximum supply pressure / Pression maximum d'alimentation:	7.0 in/wc / 7.0 po/c.e. (1.74 kPa)
Manifold pressure / Pression de la tuyauterie: Maximum	3.50 in/wc / 3.50 po/c.e. (0.87 kPa)
Orifice Size / Diametre de l'injecteur:	NA X2 & NB X2
Input BTU/hr (kW) / Entree BTU/h (kW):	Max.: 112,000 (32.82)
	<b>L.P GAS/ DU GAZ L.P.</b>
	12.5 in/wc / 12.5 po/c.e. (3.11 kPa)
	13.9 in/wc / 13.9 po/c.e. (3.45 kPa)
	11.0 in/wc / 13.9 po/c.e. (2.73 kPa)
	LA X2 & LB X2
	Max.: 112,000 (32.82)

Blower electrical rating: 115v, 60hz, 5.9 A / Normes electriques du ventilateur: 115v, 60hz, 5.9 A

This appliance equipped for altitudes 0 - 4500 ft. (0 - 1371.6 m) / Cet unité est conçu pour des altitudes variant entre 0 - 4500 pieds (0 - 1371.6 m). In Canada, also certified for installation in a bedroom or a bedsitting room / Aussi certifié pour installation dans une chambre à coucher ou une salle de séjour. This appliance must be installed in accordance with local codes, if any; if none, follow the current CAN/CGA-B149 (Canada), or ANSI Z223.1 (USA) Installation Codes. Install the appliance selon les codes ou règlements locaux, ou, en l'absence de tels règlements, selon les codes d'installation CAN/CGA-B149 (Canada), or ANSI Z223.1 (USA) en vigueur.

**MANUFACTURED (MOBILE) HOME:** This appliance is only for use with the type of gas indicated on the rating plate and may be installed in an aftermarket, permanently located, manufactured (mobile) home where not prohibited by local codes. See owners manual for details.

**FABRIQUEZ (MOBILE) MAISON:** Cet appareil doit être utilisé uniquement avec le type de gaz indiqué sur la plaque signalétique et peut être installé dans une maison préfabriquée (mobile) installée à demeure si les règlements locaux le permettent. Voir la notice du propriétaire pour plus de détails. Cet appareil ne peut être converti à d'autres gaz sauf si une trousse de conversion certifiée est utilisée.

Install in accordance with the current standard Mobile Homes, CAN/CSA Z240 MH (in CANADA), and the Manufacturer's Home Construction and Safety Standard, Title 24 CFR, Part 3280, or the current Standard for Fire Safety Criteria for Manufactured Home Installations, Sites, and Communities ANSI/NFPA 501A, (in the U.S.A.). Cet appareil doit être installé conformément aux exigences de la norme CAN/CSA Z240 MH en vigueur de l'ACNOR, Installations de gaz dans les Constructions Mobiles.

**FOR USE WITH THE GLASS CERTIFIED WITH THE APPLIANCE ONLY / POUR UTILISATION UNIQUEMENT AVEC LES PORTES IN VERRE  
CERTIFIÉES AVEC L'APPAREIL**

**MINIMUM CLEARANCES TO COMBUSTIBLES / CLAIRANCES MINIMALES AVEC LES COMBUSTIBLE**  
Left and Right side are determined when facing the front of the appliance. / Les côtés droit et gauche se déterminent en se mettant devant l'appareil et en lui faisant face.

Top, Back and Side Standoffs / Sommet, Arrière et Côté Butée	0 in./ 0 po.	(0 mm)
Sidewall to Appliance / Du mur latéral a l'appareil	0 in./ 0 po.	(0 mm)
Ceiling to Appliance / Plafond a l'appareil	0 in./ 0 po.	(0 mm)
Mantel to Appliance / Du manteau al'appareil	0 in./ 0 po.	(0 mm)
Maximum Mantel Extension / Allongement maximum du manteau *See Installation Manual for more detail / Voyez des Directive de l'Installation pour plus détails.	0 in./ 0 po.	(0 mm)
Mantel Supports / Supports du manteau	0 in./ 0 po.	(0 mm)
Vent Pipe / Déchargez le Tuyau	0 in./ 0 po.	(0 mm)

Pacific Energy  
Fireplace Products Ltd.  
Duncan, British Columbia,  
Canada

**DATE OF MANUFACTURE**

JAN	FEB	MAR	APR	2018
MAY	JUN	JUL	AUG	2019
SEP	OCT	NOV	DEC	2020

**WARNING:** Improper installation, adjustment, alteration, service or maintenance can cause injury or property damage. Refer to the owner's information manual provided with this appliance. For assistance or additional information, consult a qualified installer, service agency or the gas supplier.

**AVERTISSEMENT:** Une installation, un réglage, une modification, une réparation ou un entretien mal effectué peut causer des dommages matériels ou des blessures. Voir la notice de l'utilisateur qui accompagne l'appareil. Pour de l'aide ou des renseignements supplémentaires, consultez un installateur, un technicien agréé ou le fournisseur de gaz.

101218

568000069

7FT Architectural Series



TOWN & COUNTRY  
FIREPLACES™

MODEL/  
MODELE: ■

8FT ARCHITECTURAL  
SERIES

SERIES/  
SERIE: A

MADE IN CANADA  
FABRIQUE AU CANADA

**VENTED GAS FIREPLACE - NOT FOR USE WITH SOLID FUEL  
FOYER AU GAZ À ÉVACUATION - NE PAS UTILISER AVEC DU  
COMBUSTIBLE SOLIDE**

728

P.4.1-15 Efficiency: 17.2%

**THIS IS A DECORATIVE PRODUCT AND IS NOT INTENDED  
TO BE USED AS A HEATING APPLIANCE.**

ANSI Z21.50 / CSA 2.22 (2016) Vented Decorative Gas Appliance.  
Certified for / Certifié pour Canada and U.S.A.

This Appliance is Equipped For Use With /  
Cet Appareil est Équipé Pour Utiliser Avec :

NATURAL GAS / L.P. GAS /  
DU GAZ NATUREL ■ DU GAZ L.P.

FOR USE WITH/ EN CASE D'EMPLOI AVEC:	NATURAL GAS/ DU GAZ NATUREL	L.P GAS/ DU GAZ L.P.
Minimum supply pressure / Pression minimum d'alimentation: (For the purpose of input adjustment / dans le but de régler l'alimentation)	5.0 in/wc / 5.0 po/c.e. (1.24 kPa)	12.5 in/wc / 12.5 po/c.e. (3.11 kPa)
Maximum supply pressure / Pression maximum d'alimentation:	7.0 in/wc / 7.0 po/c.e. (1.74 kPa)	13.9 in/wc / 13.9 po/c.e. (3.45 kPa)
Manifold pressure / Pression de la tuyauterie: Maximum	3.50 in/wc / 3.50 po/c.e. (0.87 kPa)	11.0 in/wc / 13.9 po/c.e. (2.73 kPa)
Orifice Size / Diametre de l'injecteur:	NB X4	LB X4
Input BTU/hr (kW) / Entree BTU/h (kW):	Max.: 128,000 (37.51)	Max.: 128,000 (37.51)

Blower electrical rating: 115v, 60hz, 5.9 A / Normes electriques du ventilateur: 115v, 60hz, 5.9 A  
This appliance equipped for altitudes 0 - 4500 ft. (0 - 1371.6 m) / Cet unité est conçu pour des altitudes variant entre 0 - 4500 pieds (0 - 1371.6 m). In Canada, also certified for installation in a bedroom or a bedsitting room / Aussi certifié pour installation dans une chambre à coucher ou une salle de séjour. This appliance must be installed in accordance with local codes, if any; if none, follow the current CAN/CGA-B149 (Canada), or ANSI Z223.1 (USA) Installation Codes. Installer l'appareil selon les codes ou règlements locaux, ou, en l'absence de tels règlements, selon les codes d'installation CAN/CGA-B149 (Canada), or ANSI Z223.1 (USA) en vigueur.

MANUFACTURED (MOBILE) HOME: This appliance is only for use with the type of gas indicated on the rating plate and may be installed in an aftermarket, permanently located, manufactured (mobile) home where not prohibited by local codes. See owners manual for details.  
FABRIQUEZ (MOBILE) MAISON: Cet appareil doit être utilisé uniquement avec le type de gaz indiqué sur la plaque signalétique et peut être installé dans une maison préfabriquée (mobile) installée à demeure si les règlements locaux le permettent. Voir la notice du propriétaire pour plus de détails. Cet appareil ne peut être converti à d'autres gaz sauf si une trousse de conversion certifiée est utilisée.  
Install in accordance with the current standard Mobile Homes, CAN/CSA Z240 MH (in CANADA), and the Manufacturer's Home Construction and Safety Standard, Title 24 CFR, Part 3280, or the current Standard for Fire Safety Criteria for Manufactured Home Installations, Sites, and Communities ANSI/NFPA 501A, (in the U.S.A.). Cet appareil doit être installé conformément aux exigences de la norme CAN/CSA Z240 MH en vigueur de l'ACNOR, Installations de gaz dans les Constructions Mobiles.  
FOR USE WITH THE GLASS CERTIFIED WITH THE APPLIANCE ONLY / POUR UTILISATION UNIQUEMENT AVEC LES PORTES IN VERRE  
CERTIFIÉES AVEC L'APPAREIL

Pacific Energy  
Fireplace Products Ltd.  
Duncan, British Columbia,  
Canada

MINIMUM CLEARANCES TO COMBUSTIBLES / CLAIRANCES MINIMALES AVEC LES COMBUSTIBLE		
Left and Right side are determined when facing the front of the appliance. / Les côtés droit et gauche se déterminent en se mettant devant l'appareil et en lui faisant face.		
Top, Back and Side Standoffs / Sommet, Arrière et Côté Butée	0 in. / 0 po.	(0 mm)
Sidewall to Appliance / Du mur latéral a l'appareil	0 in. / 0 po.	(0 mm)
Ceiling to Appliance / Plafond a l'appareil	0 in. / 0 po.	(0 mm)
Mantel to Appliance / Du manteau al'appareil	0 in. / 0 po.	(0 mm)
Maximum Mantel Extension / Allongement maximum du manteau	0 in. / 0 po.	(0 mm)
*See Installation Manual for more detail / Voyez des Directive de l'Installation pour plus détails.		
Mantel Supports / Supports du manteau	0 in. / 0 po.	(0 mm)
Vent Pipe / Déchargez le Tuyau	0 in. / 0 po.	(0 mm)

DATE OF MANUFACTURE				
JAN	FEB	MAR	APR	2018
MAY	JUN	JUL	AUG	2019
SEP	OCT	NOV	DEC	2020

WARNING: Improper installation, adjustment, alteration, service or maintenance can cause injury or property damage. Refer to the owner's information manual provided with this appliance. For assistance or additional information, consult a qualified installer, service agency or the gas supplier.  
AVERTISSEMENT: Une installation, un réglage, une modification, une réparation ou un entretien mal effectué peut causer des dommages matériels ou des blessures. Voir la notice de l'utilisateur qui accompagne l'appareil. Pour de l'aide ou des renseignements supplémentaires, consultez un installateur, un technicien agréé ou le fournisseur de gaz.

101218

568000070

8FT Architectural Series

Blank

Blank

Blank

© 2019 Copyright Pacific Energy Fireplace Products LTD

Reproduction, adaptation, or translation  
without prior written permission is prohibited,  
except as allowed under the copyright laws.



TOWN & COUNTRY  
L U X U R Y F I R E P L A C E S

**For technical support, contact your retailer.**

**Web site: [www.townandcountryfireplaces.com](http://www.townandcountryfireplaces.com)  
2975 Allenby Rd., Duncan, BC V9L 6V8**